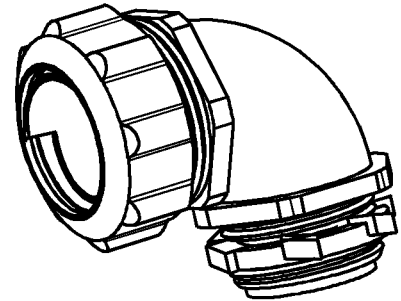
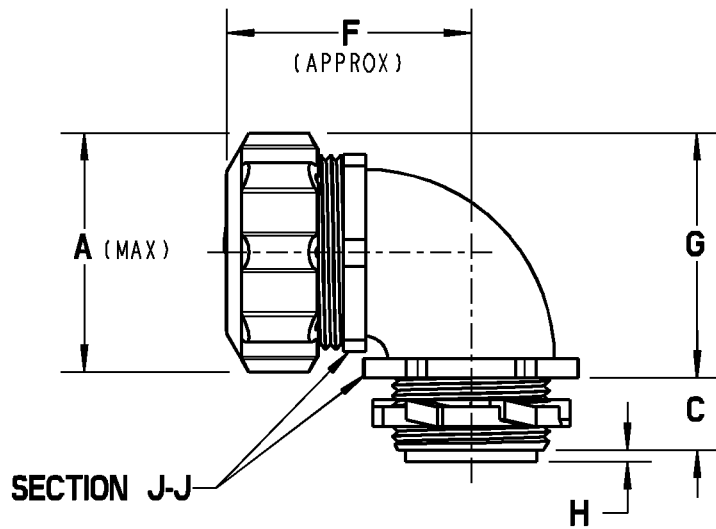
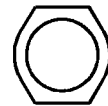


T&B Liquidtight Fittings



TYPE I



TYPE II

SHOULDER TYPE
SECTION J-J

NOTES:

1. CONFORMS WITH J.I.C. REQUIREMENTS WITH DOUBLE BEVEL SEALING RING TO 2".
2. ALL MALE HUBS ARE NPT THREADS.
3. MAXIMUM APPLICATION TEMPERATURE 150°C (302°F).
4. MATERIALS: BODY, GLAND NUT- STEEL OR MALLEABLE IRON
LOCKNUT- STEEL OR MALLEABLE IRON
GROUND CONE- STEEL
INSULATOR, SEALING RING- NYLON (UL94-V2)
5. FINISH: ZINC PLATE

CATALOG NUMBER	CONDUIT SIZE	SHOULDER TYPE	A (MAXIMUM)	C	F (APPROXIMATE)	G	H
5351-HT	3/8"	I	1.156 [29.36]	.625 [15.88]	1.375 [34.93]	1.188 [30.18]	.078 [1.98]
5352-HT	1/2"	I	1.375 [34.93]	.625 [15.88]	1.562 [39.67]	1.438 [36.53]	.046 [1.17]
5353-HT	3/4"	I	1.656 [42.06]	.625 [15.88]	1.750 [44.45]	1.750 [44.45]	.078 [1.98]
5354-HT	1"	II	1.875 [47.63]	.812 [20.62]	2.188 [55.58]	1.938 [49.23]	.094 [2.39]
5355-HT	1-1/4"	I	2.375 [60.33]	.812 [20.62]	2.750 [69.85]	2.500 [63.5]	.109 [2.77]
5356-HT	1-1/2"	I	2.375 [60.33]	.812 [20.62]	2.938 [74.63]	2.812 [71.42]	.125 [3.18]
5357-HT	2"	I	3.468 [88.09]	.875 [22.23]	3.438 [87.33]	3.500 [88.9]	.125 [3.18]

GENERAL NOTES

1. ALL DIMENSIONS ARE FOR REFERENCE ONLY.
2. DIMENSIONS IN BRACKETS [] ARE IN METRIC UNITS.

REVISIONS

1 SEE ERN 2003643 FOR APPROVAL SIGNATURES & RELEASE DATE.
PROJECT NO: RD55455

Thomas & Betts
www.tnb.com

DESCRIPTION: **HIGH TEMPERATURE LIQUIDTIGHT FLEXIBLE METAL CONDUIT FITTINGS - 90°**

ORIGINAL PROJECT NO / (ERN NO)	SHEET NO:	REV. NO:	DRAWING NO:
RD55455 / (2002589)	1 OF 1	1	WSD-000018