

BALDOR® • ***RELIANCE***

Product Information Packet

EJMM3157T

2HP,1750RPM,3PH,60HZ,145JM,3525M,OPSB,F1

Part Detail							
Revision:	J	Status:	PRD/A	Change #:		Proprietary:	No
Type:	AC	Prod. Type:	3525M	Elec. Spec:	35WGM496	CD Diagram:	CD0005
Enclosure:	OPSB	Mfg Plant:		Mech. Spec:	35LL509	Layout:	35LYLL509
Frame:	145JM	Mounting:	F1	Poles:	04	Created Date:	11-18-2010
Base:	RG	Rotation:	R	Insulation:	F	Eff. Date:	03-17-2016
Leads:	9#18					Replaced By:	
Literature:		Elec. Diagram:					

Nameplate NP1259L										
CAT.NO.	EJMM3157T									
SPEC.	35LL509M496G1									
HP	2									
VOLTS	230/460									
AMP	5.8/2.9									
RPM	1750									
FRAME	145JM				HZ	60			PH	3
SER.F.	1.15		CODE	K	DES	B		CL	F	
NEMA-NOM-EFF	86.5		PF	76						
RATING	40C AMB-CONT									
CC	010A				USABLE AT 208V			5.8		
DE	6206				ODE	6203				
ENCL	OPSB		SN							

AC Induction Motor Performance Data

Record # 33882 - Typical performance - not guaranteed values

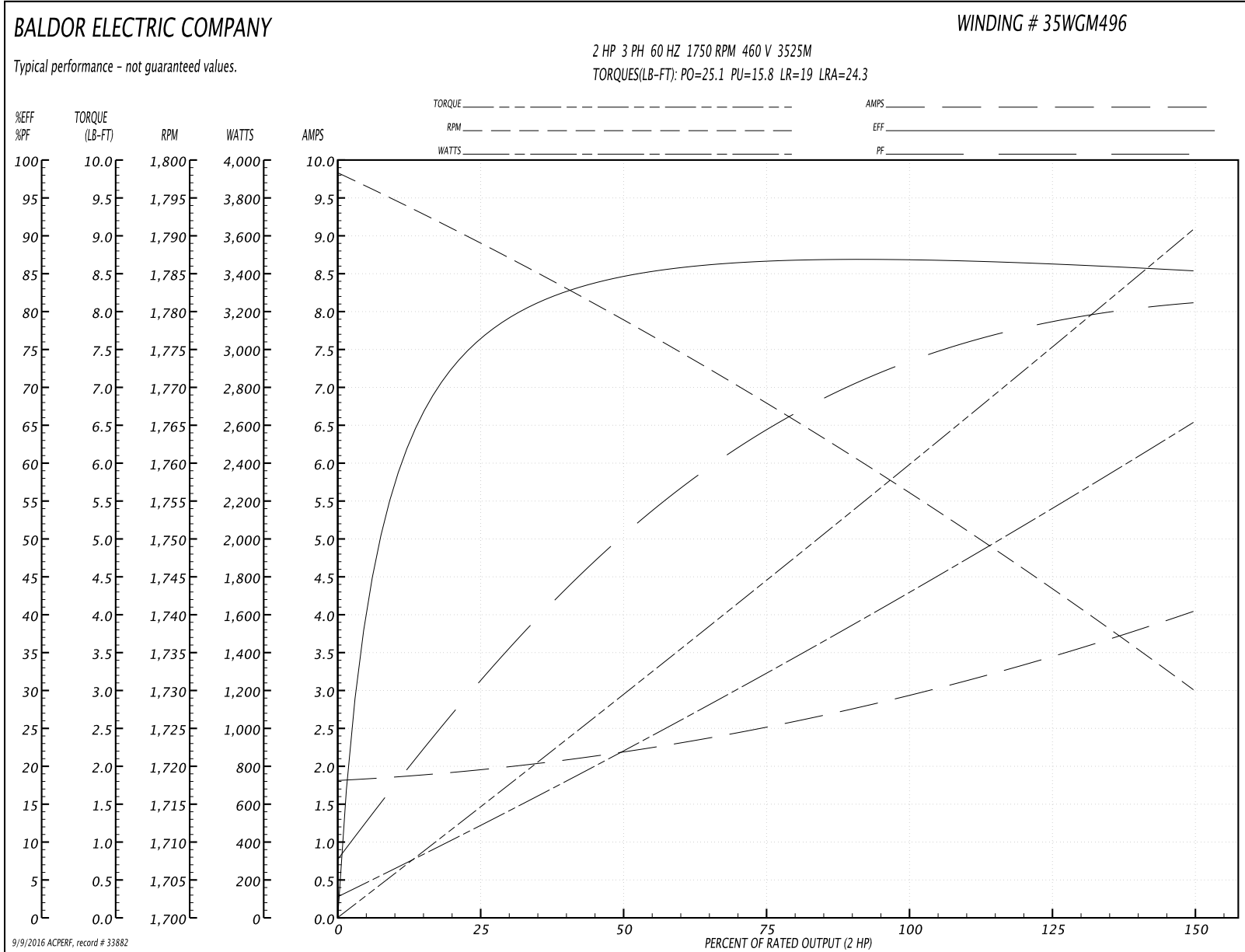
Winding: 35WGM496-R001	Type: 3525M	Enclosure: OPSB
-------------------------------	--------------------	------------------------

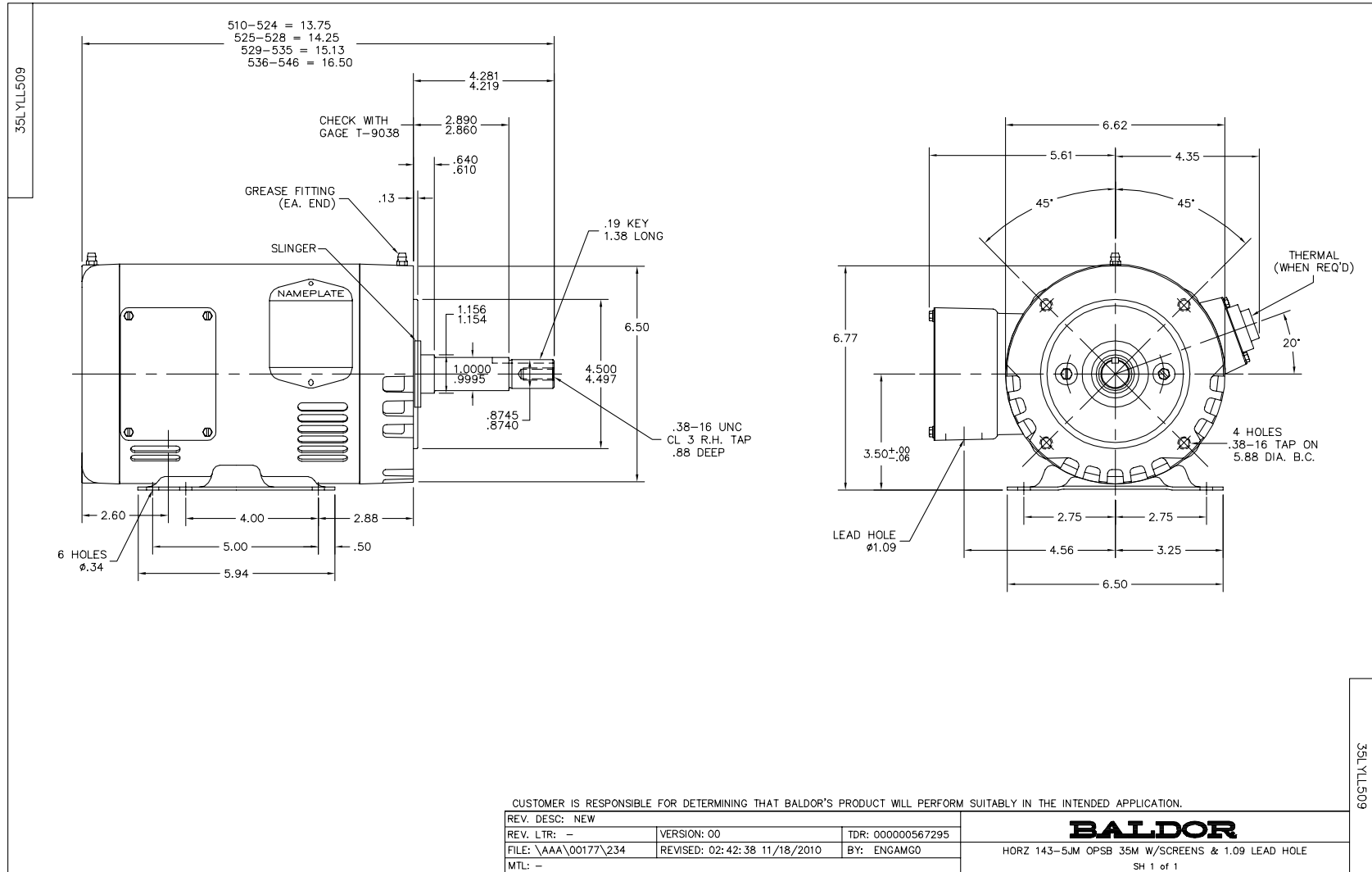
Nameplate Data				460 V, 60 Hz: High Voltage Connection	
Rated Output (HP)	2			Full Load Torque	5.95 LB-FT
Volts	230/460			Start Configuration	direct on line
Full Load Amps	5.8/2.9			Breakdown Torque	25.1 LB-FT
R.P.M.	1750			Pull-up Torque	15.8 LB-FT
Hz	60	Phase	3	Locked-rotor Torque	19 LB-FT
NEMA Design Code	B	KVA Code	K	Starting Current	24.3 A
Service Factor (S.F.)	1.15			No-load Current	1.83 A
NEMA Nom. Eff.	86.5	Power Factor	76	Line-line Res. @ 25°C	7.5814 Ω
Rating - Duty	40C AMB-CONT			Temp. Rise @ Rated Load	40°C
S.F. Amps				Temp. Rise @ S.F. Load	47°C
				Rotor inertia	0.148 LB-FT ²

Load Characteristics 460 V, 60 Hz, 2 HP

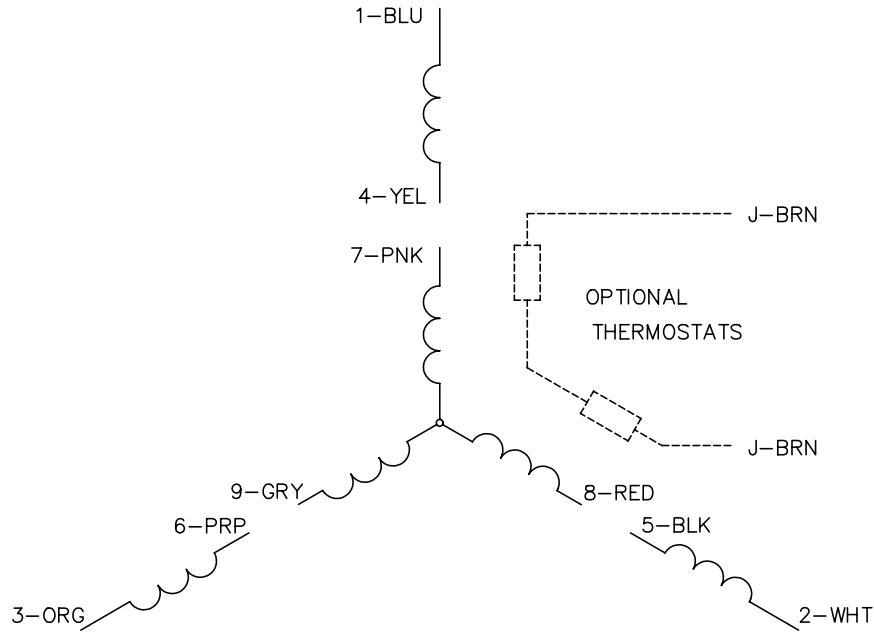
% of Rated Load	25	50	75	100	125	150	S.F.
Power Factor	32	51	64	73	78	82	76
Efficiency	76	84.4	86.6	86.9	86.4	85.2	86.6
Speed	1788.5	1778.5	1767.8	1756.9	1744.4	1729.4	1749
Line amperes	1.94	2.16	2.52	2.95	3.45	4.03	3.25

Performance Graph at 460V, 60Hz, 2.0HP Typical performance - Not guaranteed values

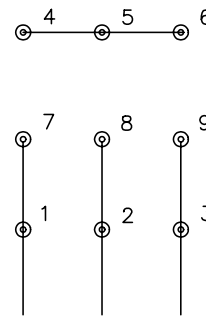




CD0005

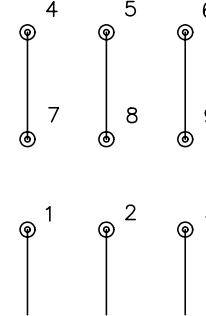


LOW VOLTAGE
(2Y)



LINE

HIGH VOLTAGE
(1Y)



LINE

NOTES:

1. INTERCHANGE ANY TWO LINE LEADS TO REVERSE ROTATION.
2. OPTIONAL THERMOSTATS ARE PROVIDED WHEN SPECIFIED.
3. ACTUAL NUMBER OF INTERNAL PARALLEL CIRCUITS MAY BE A MULTIPLE OF THOSE SHOWN ABOVE.
4. LEAD COLORS ARE OPTIONAL. LEADS MUST ALWAYS BE NUMBERED AS SHOWN.

REV. DESC: REVISE TO SHOW OPTIONAL COLORS

REV. LTR: E BY: JLP

REVISED: 01/19/99 10:15

TDR: 0171435

90000

FILE: AAA00005140

MDL: -

MTL: -

BALDOR ELECTRIC Co.

3PH, DV, 9 LEADS

CD0005