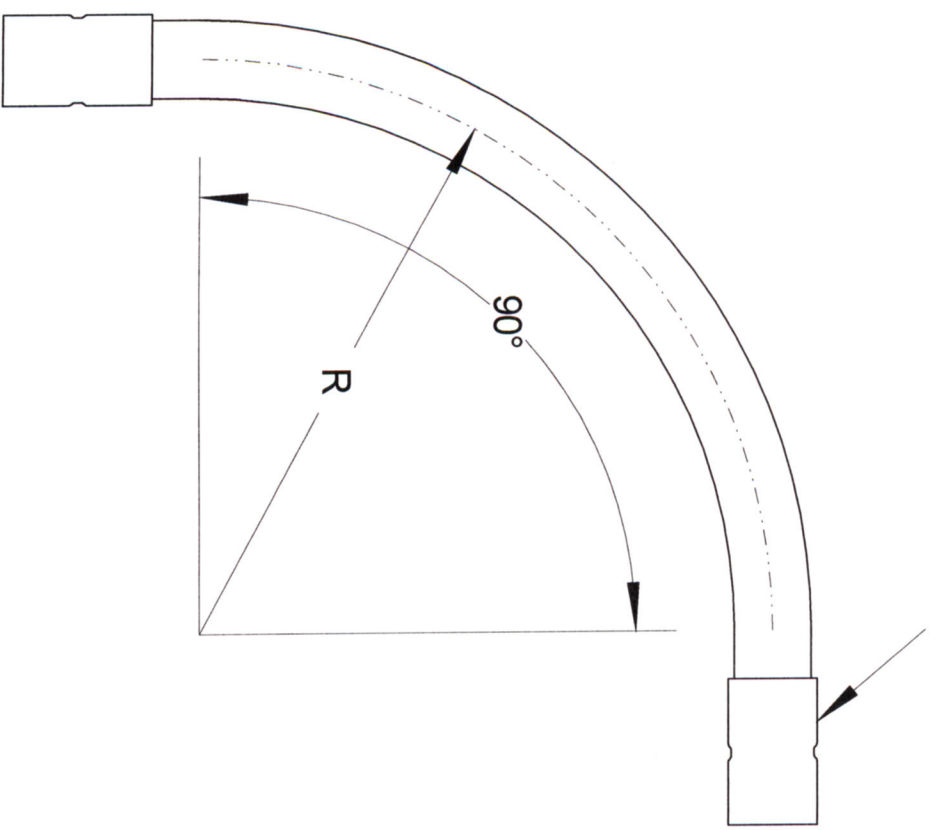


DEEP SOCKET PVC COUPLING



SIZE	DIAMETER "D"	RADIUS "R"	WALL THICKNES	PART NUMBER	WEIGHT (LBS.)
1/2"	.84"	24"	.070"	FGSW-059024	0.7264
3/4"	1.05"	24"	.070"	FGSW-0759024	0.8166
1"	1.315"	24"	.070"	FGSW-19024	0.961
1 1/4"	1.66"	24"	.070"	FGSW-1259024	1.3016
1 1/2"	1.9"	24"	.070"	FGSW-1509024	1.826
2"	2.375"	24"	.070"	FGSW-29024	2.3146
2 1/2"	2.875"	24"	.070"	FGSW-2509024	3.0994
3"	3.5"	24"	.070"	FGSW-39024	5.103
4"	4.5"	24"	.070"	FGSW-49024	7.19
5"	5.563"	24"	.070"	FGSW-59024	10.774

RACEWAYS TECHNOLOGY

& MFG., INC.

TACOMA, WA

90 DEGREE FIBERGLASS ELBOW 24" RADIUS
(STANDARD WALL)

NO SCALE	RTP	2012
----------	-----	------

DEEP SOCKET PVC COUPLINGS CONFORM TO UL 651 SPECIFICATIONS