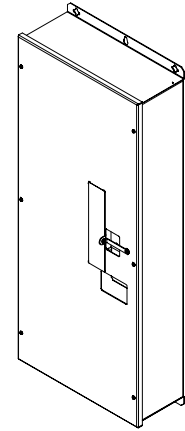
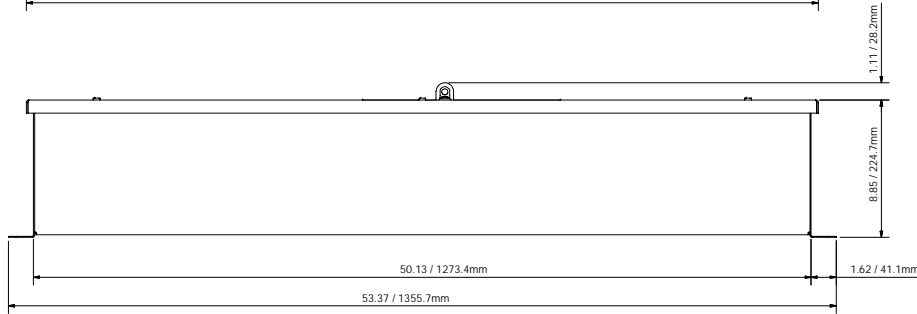
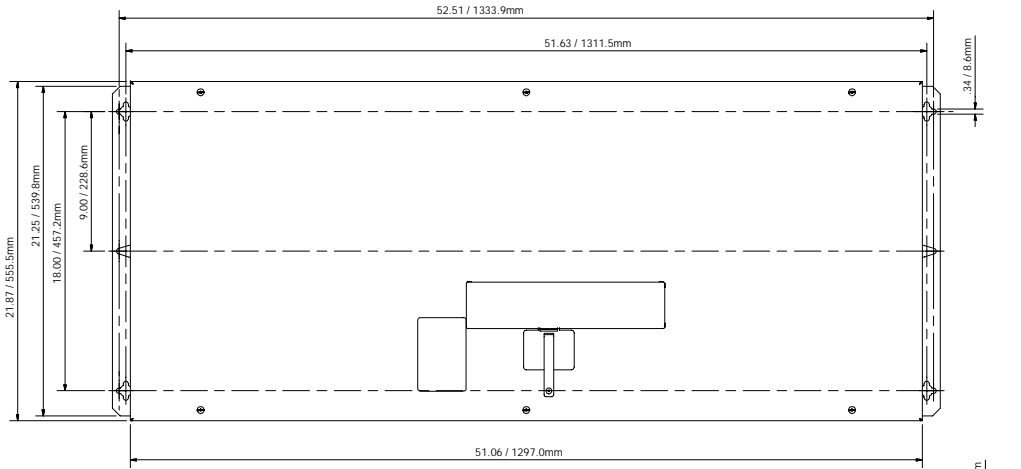
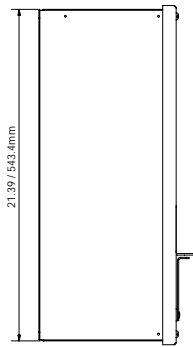


SCALE 1 / 8

SLG630
95-1698

REVISION HISTORY	A
WCS 11/1/04	DSB/20
RP 11/1/04	UPDATED VIEWS

DESIGNED BY WARREN SIPE	DATE 8/3/2004		Electrical
DRAWN BY R. PROHASKA	DATE 8/3/2004		
REFERENCE	PRODUCT	<small>THE INFORMATION ON THIS DRAWING IS THE PROPERTY OF EATON CORPORATION. IT IS TO BE USED FOR THE PROJECT AND FOR THE SPECIFIC APPLICATION ONLY. IT IS NOT TO BE REPRODUCED OR TRANSMITTED IN ANY FORM OR BY ANY MEANS, ELECTRONIC OR MECHANICAL, WITHOUT PERMISSION IN WRITING FROM EATON CORPORATION.</small>	
NEXT ASSY	TITLE	UNLESS SPECIFIED TOLERANCES PER 99-5032.lam	REVISION NEW
TOOL REF.	D	CIRCUIT BREAKER ENCLOSURES TYPE 1 & TYPE 1 W/ELM LG FRAME DIMENSION DRAWING	
MATERIAL	GROUP/REVISION	ORDER NO.	PROJECT NO.
FINISH	SCALE	ENGINEERING CHANGE NOTICE NO.	ISSUE NO.
	1=4		95-1698
		PARTS LIST	SHEET 1 OF 2
			REV A



SCALE 1 / 8

SLG630E
95-1698-2

REVISION HISTORY
D52680

DESIGNED BY WARREN SIPE	DATE 8/3/2004		Electrical
DRAWN BY R. PRCHASKA	DATE 8/3/2004		
REFERENCE	DATE	PRODUCT	PROJECT TITLE
NEXT ASSY		UNLESS SPECIFIED	99-5034.lam
TOOL REF.		TOLERANCES PER	NEW
MATERIAL		CIRCUIT BREAKER ENCLOSURES TYPE 1 & TYPE 1 W/ELM LG FRAME	
FINISH		DIMENSION DRAWING	
SCALE	1=4	PROJECT NO.	95-1698
ENGINEERING CHANGE NOTICE NO.		PROJ LIST	SHEET 2 OF 2
			REV A