

---

 TECHNICAL DATA SHEET

# ABB cable glands – ST Star Teck® series

## Industrial applications



ST is the original STAR TECK® fitting for Teck, MC and ACWU cable set the standard for ease of installation, quality engineering and safe, reliable terminations in challenging industrial environments.

**Certifications / Standards:**



---

**Features & Benefits:**

- Excellent pullout strength
- Robust metallic construction
- Quick and easy installation without disassembly
- “Pop-on” fitting (no dis-assembly) saves installer time
- Provides grounding continuity of cable armor
- Splined gland and gripping features for ease of installation

---

**Applications:**

- Provides means for passing jacketed metal clad cables through a bulkhead or enclosure in industrial and hazardous areas
- Oil and gas Industry, chemical and industrial markets
- Construction and installation zones where metal clad cables are specified
- Suitable for cable types:
  - Jacketed Teck and ACWU
  - Armored control and instrument (ACIC)
  - Type MC:
    - Jacketed interlocking armor (aluminum and steel)
    - Jacketed corrugated metal clad (aluminum and steel)

---

**Material:**

- Copper free aluminium
- Zinc plated steel option
- Stainless steel option

---

**Environmental ratings:**
**Working Temperature:**

- Normal use -40 to +90°C (-40 to +194°F)

**Ingress protection:**

- Type 4 / 4X

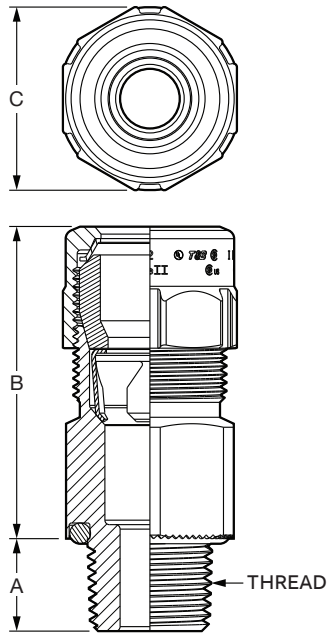
**Chemical resistance guide:**

- See publication TDS000081

---

**Conforms to:**

- CSA E60079-0/-7
  - Ex e II
- CSA C22.2 No.25/-174
  - Class I Div1 ABCD Class II Div1 EFG Class III Div1
  - Refer to CEC for specific applications
- UL2279
  - Class I, Zone 1, AEx e II
- UL514B/50 and CSA C22.2-18.3/-94
  - Wet and Dry Locations
  - Suitable for Class I Div 2, Class II Div 2 and Class III location per NEC
- RoHS (Restriction of Hazardous Substances Directive) 2011/65/EU Incorporating 2015/863 amendment to Annex II



Product selection								
Part no:	Thread (NPT)	Range over jacket		Range over armour		Nominal dimensions		
		Min	Max	Min	Max	A	B	C
ST038-461S*	3/8	<b>8.74</b>	<b>13.59</b>	<b>6.20</b>	<b>11.05</b>	<b>11.68</b>	<b>51.31</b>	<b>25.27</b>
		(0.344)	(0.535)	(0.244)	(0.435)	(0.460)	(2.020)	(0.995)
ST050-462	1/2	<b>13.34</b>	<b>16.51</b>	<b>10.54</b>	<b>14.48</b>	<b>15.75</b>	<b>51.31</b>	<b>34.13</b>
		(0.525)	(0.650)	(0.415)	(0.570)	(0.620)	(2.020)	(1.344)
ST050-464	1/2	<b>15.24</b>	<b>19.30</b>	<b>12.45</b>	<b>17.27</b>	<b>15.75</b>	<b>51.31</b>	<b>34.13</b>
		(0.600)	(0.760)	(0.490)	(0.680)	(0.620)	(2.020)	(1.344)
ST050-465	1/2	<b>18.42</b>	<b>22.48</b>	<b>15.62</b>	<b>20.45</b>	<b>15.75</b>	<b>54.10</b>	<b>42.07</b>
		(0.725)	(0.885)	(0.615)	(0.805)	(0.620)	(2.130)	(1.656)
ST050-466	1/2	<b>20.96</b>	<b>25.02</b>	<b>18.16</b>	<b>22.99</b>	<b>15.75</b>	<b>54.10</b>	<b>42.07</b>
		(0.825)	(0.985)	(0.715)	(0.905)	(0.620)	(2.130)	(1.656)
ST075-467	3/4	<b>22.35</b>	<b>27.05</b>	<b>19.56</b>	<b>25.02</b>	<b>16.00</b>	<b>62.23</b>	<b>53.18</b>
		(0.880)	(1.065)	(0.770)	(0.985)	(0.630)	(2.450)	(2.094)
ST075-468	3/4	<b>26.04</b>	<b>30.61</b>	<b>23.24</b>	<b>28.58</b>	<b>16.00</b>	<b>62.23</b>	<b>53.18</b>
		(1.025)	(1.205)	(0.915)	(1.125)	(0.630)	(2.450)	(2.094)
ST100-469	1	<b>30.15</b>	<b>34.93</b>	<b>27.36</b>	<b>32.89</b>	<b>19.94</b>	<b>66.04</b>	<b>61.91</b>
		(1.187)	(1.375)	(1.077)	(1.295)	(0.785)	(2.600)	(2.438)
ST125-470	1-1/4	<b>34.29</b>	<b>41.28</b>	<b>31.50</b>	<b>39.24</b>	<b>20.57</b>	<b>83.31</b>	<b>76.20</b>
		(1.350)	(1.625)	(1.240)	(1.545)	(0.810)	(3.280)	(3.000)
ST125-550	1-1/4	<b>38.10</b>	<b>41.28</b>	<b>35.31</b>	<b>39.24</b>	<b>20.57</b>	<b>83.31</b>	<b>76.20</b>
		(1.500)	(1.625)	(1.390)	(1.545)	(0.810)	(3.280)	(3.000)
ST125-471	1-1/4	<b>40.64</b>	<b>47.63</b>	<b>37.85</b>	<b>45.59</b>	<b>20.57</b>	<b>83.31</b>	<b>76.20</b>
		(1.600)	(1.875)	(1.490)	(1.795)	(0.810)	(3.280)	(3.000)
ST150-472	1-1/2	<b>43.18</b>	<b>49.91</b>	<b>40.39</b>	<b>47.88</b>	<b>20.96</b>	<b>91.95</b>	<b>87.31</b>
		(1.700)	(1.965)	(1.590)	(1.885)	(0.825)	(3.620)	(3.438)
ST150-473	1-1/2	<b>48.26</b>	<b>55.55</b>	<b>45.47</b>	<b>53.52</b>	<b>20.96</b>	<b>91.95</b>	<b>87.31</b>
		(1.900)	(2.187)	(1.790)	(2.107)	(0.825)	(3.620)	(3.438)
ST200-551	2	<b>48.26</b>	<b>55.55</b>	<b>45.47</b>	<b>53.52</b>	<b>21.84</b>	<b>92.46</b>	<b>96.84</b>
		(1.900)	(2.187)	(1.790)	(2.107)	(0.860)	(3.640)	(3.813)
ST200-474	2	<b>53.34</b>	<b>60.33</b>	<b>50.55</b>	<b>57.91</b>	<b>21.84</b>	<b>92.46</b>	<b>96.84</b>
		(2.100)	(2.375)	(1.990)	(2.280)	(0.860)	(3.640)	(3.813)
ST200-475	2	<b>58.42</b>	<b>65.15</b>	<b>55.63</b>	<b>63.12</b>	<b>21.84</b>	<b>92.46</b>	<b>106.36</b>
		(2.300)	(2.565)	(2.190)	(2.485)	(0.860)	(3.640)	(4.188)
ST200-476	2	<b>63.50</b>	<b>69.85</b>	<b>60.71</b>	<b>67.46</b>	<b>21.84</b>	<b>92.46</b>	<b>106.36</b>
		(2.500)	(2.750)	(2.390)	(2.656)	(0.860)	(3.640)	(4.188)
ST250-477	2-1/2	<b>60.45</b>	<b>67.06</b>	<b>56.90</b>	<b>65.02</b>	<b>32.51</b>	<b>119.38</b>	<b>121.44</b>
		(2.380)	(2.640)	(2.240)	(2.560)	(1.280)	(4.700)	(4.781)

\*This product is not CSA certified or UL listed.

Bold numbers are metric, parenthesis numbers are inches.

To order steel version, add suffix "S". Ex: ST050-464S

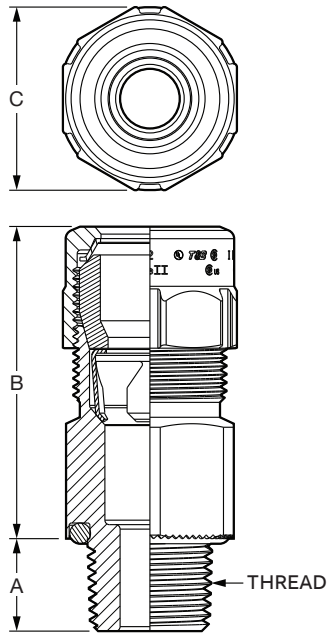
Stainless steel available from 1/2" to 3". Add suffix "SS". Ex: ST050-464SS

To order with PVC coating, add suffix "PVC". Ex: ST050-464SPVC. Available for aluminum and steel constructions.

Contact your representative for availability

Dimensions may vary depending on material selection.

Note: Product must be installed in accordance with applicable national and local electrical codes.



Product selection								
Part no:	Thread (NPT)	Range over jacket		Range over armour		Nominal dimensions		
		Min	Max	Min	Max	A	B	C
ST250-478	2-1/2	<b>65.53</b> (2.580)	<b>72.14</b> (2.840)	<b>61.98</b> (2.440)	<b>69.85</b> (2.750)	<b>32.51</b> (1.280)	<b>119.38</b> (4.700)	<b>121.44</b> (4.781)
ST300-479	3	<b>70.87</b> (2.790)	<b>77.72</b> (3.060)	<b>67.06</b> (2.640)	<b>75.44</b> (2.970)	<b>34.04</b> (1.340)	<b>119.38</b> (4.700)	<b>129.38</b> (5.094)
ST300-480	3	<b>76.20</b> (3.000)	<b>83.06</b> (3.270)	<b>72.90</b> (2.870)	<b>81.03</b> (3.190)	<b>34.04</b> (1.340)	<b>121.67</b> (4.790)	<b>139.70</b> (5.500)
ST300-481	3	<b>81.53</b> (3.210)	<b>88.39</b> (3.480)	<b>77.27</b> (3.042)	<b>86.11</b> (3.390)	<b>34.04</b> (1.340)	<b>121.67</b> (4.790)	<b>139.70</b> (5.500)
ST350-482	3-1/2	<b>86.87</b> (3.420)	<b>93.73</b> (3.690)	<b>83.06</b> (3.270)	<b>91.19</b> (3.590)	<b>35.31</b> (1.390)	<b>121.67</b> (4.790)	<b>153.19</b> (6.031)
ST350-483	3-1/2	<b>91.69</b> (3.610)	<b>98.30</b> (3.870)	<b>87.38</b> (3.440)	<b>95.76</b> (3.770)	<b>35.31</b> (1.390)	<b>121.67</b> (4.790)	<b>153.19</b> (6.031)
ST400-484	4	<b>96.77</b> (3.810)	<b>102.36</b> (4.030)	<b>91.44</b> (3.600)	<b>99.82</b> (3.930)	<b>36.58</b> (1.440)	<b>122.94</b> (4.840)	<b>166.69</b> (6.563)
ST400-485	4	<b>100.71</b> (3.965)	<b>106.30</b> (4.185)	<b>95.38</b> (3.755)	<b>103.25</b> (4.065)	<b>36.58</b> (1.440)	<b>122.94</b> (4.840)	<b>166.69</b> (6.563)
ST400-486	4	<b>104.65</b> (4.120)	<b>110.24</b> (4.340)	<b>99.31</b> (3.910)	<b>107.19</b> (4.220)	<b>36.58</b> (1.440)	<b>122.94</b> (4.840)	<b>166.69</b> (6.563)

\*This product is not CSA certified or UL listed.

Bold numbers are metric, parenthesis numbers are inches.

To order steel version, add suffix "S". Ex: ST050-464S

Stainless steel available from 1/2" to 3". Add suffix "SS". Ex: ST050-464SS

To order with PVC coating, add suffix "PVC". Ex: ST050-464SPVC. Available for aluminum and steel constructions.

Contact your representative for availability

Dimensions may vary depending on material selection.

Note: Product must be installed in accordance with applicable national and local electrical codes.

ABB Inc.  
Electrification products  
Memphis, Tennessee  
USA

We reserve the right to make technical changes or modify the contents of this document without prior notice. With regard to purchase orders, the agreed particulars shall prevail. ABB Inc. does not accept any responsibility whatsoever for potential errors or possible lack of information in this document.

We reserve all rights in this document and in the subject matter and illustrations contained therein. Any reproduction, disclosure to third parties or utilization of its contents – in whole or in parts – is forbidden without prior written consent of ABB Inc. Copyright© 2017 ABB Inc. All rights reserved.

