

INSTALLATION AND SAFETY INSTRUCTIONS

IMPORTANT SAFETY INSTRUCTIONS

- Be sure the electricity to the system you are working on is turned off; either the fuse removed or the circuit breaker set at off.
- Use of other manufacturers components will void warranty, listing and create a potential safety hazard.
- A minimum airspace of 6" must surround all sides of EACH transformer (12" of airspace must separate 2 transformers)
- As with all electronic transformers there's a potential for Radio Frequency Interference (R.F.I.). To reduce R.F.I., rotate the electronic transformer in relation to the input line, or switch to a magnetic transformer.
- If you are unclear as to how to proceed, contact a qualified electrician.
- You don't need special tools to install this fixture.
- Be sure to follow the steps in the order given.
- Read instructions carefully.
- Save these instructions.

INSTRUCTIONS FOR INSTALLATION OF THE AMBIANCE ACCENT TRANSFORMER 9455

TRANSFORMER INSTALLATION (FIGURE 1)

Select the desired location to mount transformer (not in contact with insulation and away from oven or any other source of intense heat including transformers).

NOTE: Transformer may come with double face tape, otherwise mount the transformer with screws (not supplied).

If using the 3M double face tape provided on the transformer: use a cleaner with ammonia and make sure surface is dry and free from soap film, dirt, or grease. Remove paper on tape from transformer and apply firm pressure to secure it to a smooth surface. After wiring system, test system, then shut off for 24 hours to allow adhesive to actively create a firm bond with the surface.

Or, use screws to mount transformer to surface. Transformer can be mounted in any direction. The wattage load must be a minimum of 15w for the transformer to operate, but must not exceed 60w.

NOTE: (If Applicable). The transformer has an 8 foot 120 volt cord with a plug molded at the end (FIGURE 2).

If you require the length of the 120 volt cord to be shorter, cut and discard the excess 120 volt cord with molded plug. Follow the instructions below on how to install 120 volt quick-connect plug.

INSTALLATION OF 120V QUICK-CONNECT PLUG

1. Cut off end of 120v cord cleanly and evenly. **CAUTION: Do not separate wires. Do not remove or damage insulation (Figure 3)**
2. Press cord, with ridged side to the right (tracer wire), down and into front of plug.
3. Press cord down onto metal prongs.
4. Slide plug cover over cord and plug until plug cover is centered over plug.

INSTALLING SWITCH ON 120V CORD

NOTE: Switch must be mounted a least 1 1/2" away from any metal parts.

NOTE: When parallel wire (SPT I and SPT II) is used, the tracer wire is square shaped or ridged and the non-tracer wire is round in shape or smooth (seen best when viewed from wire end).

1. Split 120v cord as illustrated (FIGURE 4). Cut the non-tracer (or smooth) wire. Be sure to cut only the smooth non-tracer wire.
2. Remove the screw from the switch and take the switch apart.
3. Place the wires in part A (without the wheel) as shown. Tuck the cut wire down one end on each side of the barrier.
4. Press both halves of the switch back together. Note that the points pierce insulation to make contact with copper inside wire.
5. Place screw back in center hole and secure in place with nut.

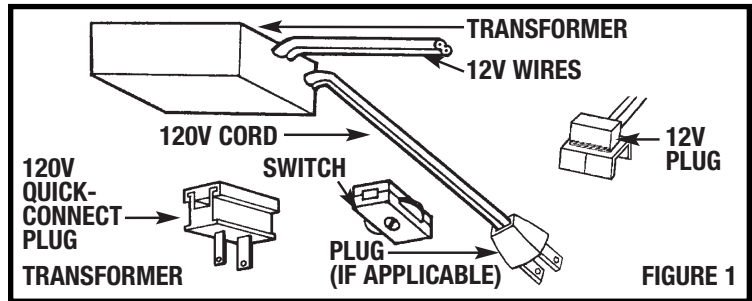


FIGURE 1

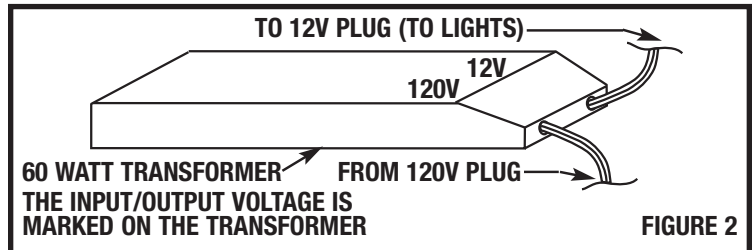


FIGURE 2

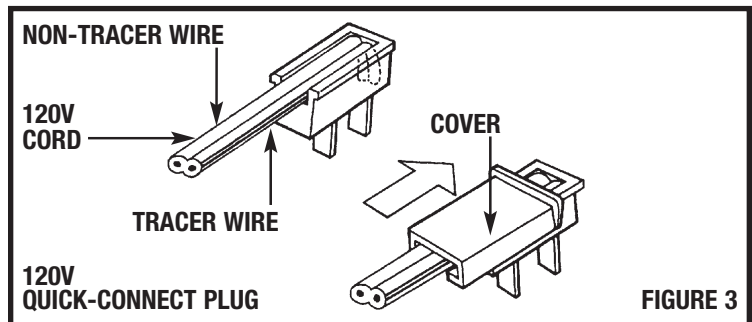


FIGURE 3

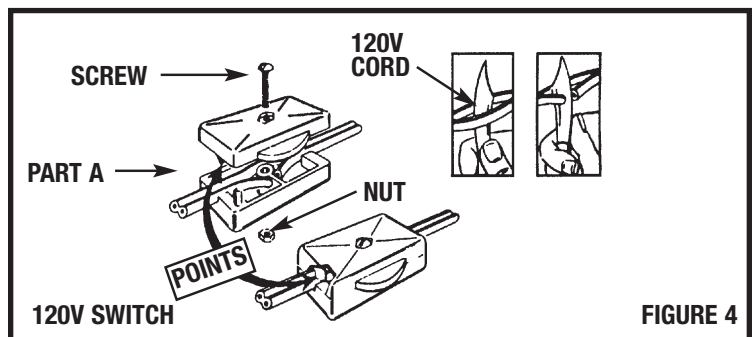


FIGURE 4



sea gull lighting®

Installation And Safety Instruction

HC-219 112607

Line art shown may not exactly match the fixture enclosed. However, the installation instructions do apply to this fixture.

Fill In Item Number On Carton And File This Sheet For Fixture Reference. ITEM# _____

The 12 Volt wire that comes out from the transformer (the input/output voltage is marked on the transformer FIGURE 2). Connect the 12v wire from the transformer to the low voltage cable (heavy insulation wire) (not supplied) using the 12v plug.

INSTALLATION OF 12V PLUG

1. Cut 12v wire from transformer to desired length (FIGURE 5).
2. Split ends of wire (about 1/2") and insert each end of the wire as far as possible into the plug. Do not strip any insulation off the wire.
3. Insert contact into one end of 12V plug and press or use pliers until contact is flush with plug. Repeat with other contact (see FIGURE 5), on opposite side of 12v plug.
4. Twist wires sideways, insert into notch of 12v plug and twist back straight.
5. Snap 12v plug on low voltage cable which is already inside of the track (FIGURE 6).

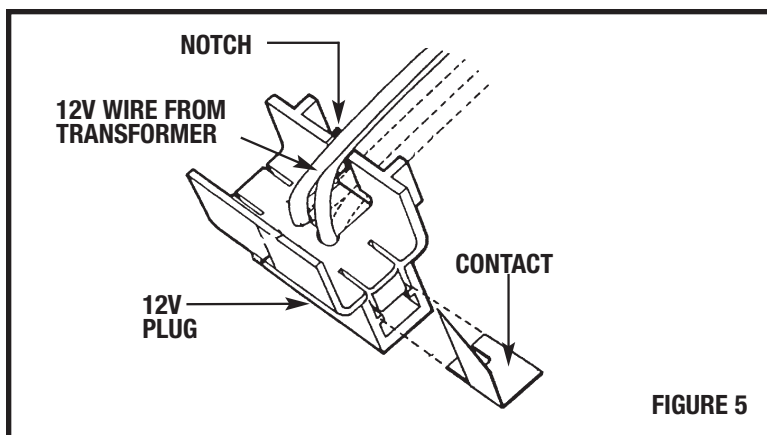


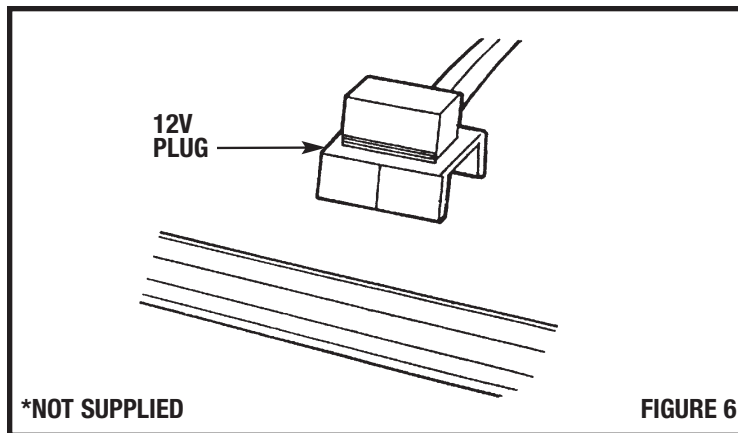
FIGURE 5

IMPORTANT SAFETY INSTRUCTIONS

This starter kit has a polarized plug (one blade is wider than the other). As a safety feature, this plug will fit in a polarized outlet only one way. If the plug does not fit fully in the outlet, reverse the plug. If it still does not fit, contact a qualified electrician. Never use with an extension cord unless plug can be fully inserted. Do not attempt to defeat this safety feature.

NOTE: Electronic transformers are equipped with a soft start circuitry feature, which increases lamp life. For proper operation of an electronic transformer, the wattage load must fall within the specified range. If the load does not fall within this range, the transformer may malfunction or lamps might flicker. The only way to test an electronic transformer to determine if it is working properly is to apply a wattage load which falls within the specified range. Volt meters and amp meters will give false readings due to different operating frequencies.

NOTE: To minimize noticeable voltage drop, do not allow more than 10ft. between the electronic transformer and the last light.



***NOT SUPPLIED**

FIGURE 6

INSIDE CABINET INSTALLATION

1. Drill 1/2" diameter hole or notch surfaces where cable will be running through shelving or cabinet partition.
NOTE: Low Voltage Ambiance Cable must be covered in Sea Gull Lighting Sleeving (#9430) or track and cover (#9435 & #9439).
2. Install lampholders (#9427 & #9428 etc.), space lampholder no closer than 6" center to center.
3. Do not install lampholder closer than 1 1/2" to closed ends (wall surfaces, partitions etc.).
4. Do not install more than 20 watts per cubic foot of cabinet air space.

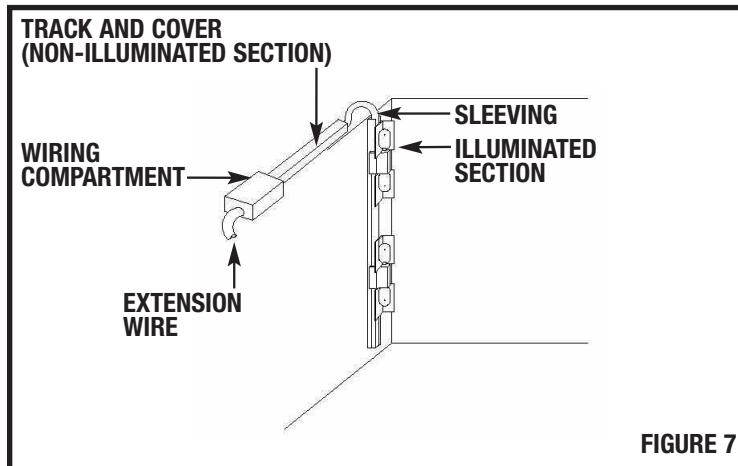


FIGURE 7

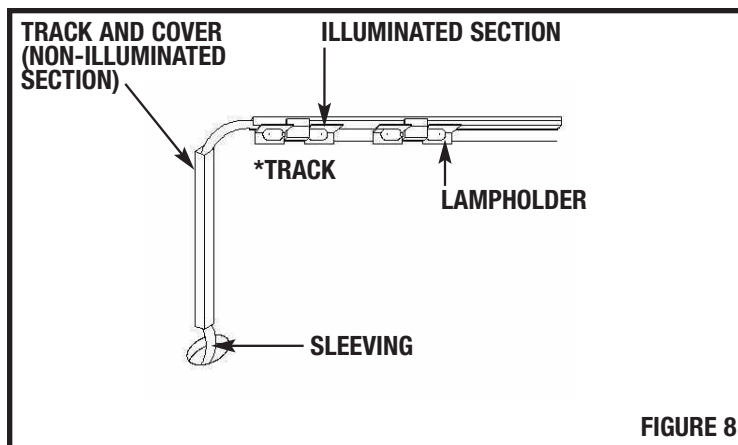


FIGURE 8