

DESCRIPTION

Scoop wall wash trim for 120V line voltage 4" H99 family recessed housings. Trim can be rotated 360° to align with wall surface. Scoop and die cast trim ring available in a variety of finishes. Three "cat's paw" springs secure trim in housing.

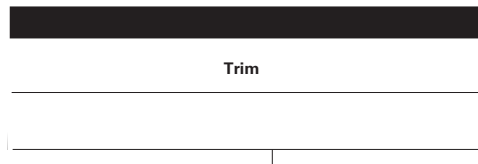
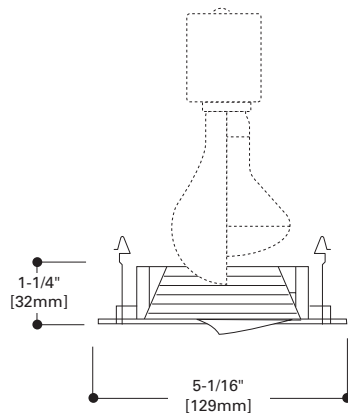
Catalog #		Type
Project		
Comments		Date
Prepared by		

DESIGN FEATURES

Scoop and die cast aluminum trim ring available in Matte White, Silver, Satin Nickel, Antique Copper or Tuscan Bronze finishes. Three pressure springs ensure positive retention in housing.

992 is designed for use with the following small aperture housings:

- Line Voltage Housings:
 - H99T 40W R16, 40W A19, 50W R20
 - H99RT 40W R16, 40W A19, 50W R20, 50W PAR20



- 992P= White Trim and Scoop, Black Baffle
- 992W= White Trim and Scoop, White Baffle
- 992SL= Silver Trim and Scoop, Black Baffle
- 992SN= Satin Nickel Trim and Scoop, Black Baffle
- 992AC= Antique Copper Trim and Scoop, Black Baffle
- 992TBZ= Tuscan Bronze Trim and Scoop, Black Baffle



992P
White Trim and Scoop, Black Baffle



992W
White Trim and Scoop, White Baffle



992SL
Silver Trim and Scoop, Black Baffle



992SN
Satin Nickel Trim and Scoop with Black baffle



992AC
Antique Copper Trim and Scoop with Black Baffle



992TBZ
Tuscan Bronze Trim and Scoop with Black Baffle

992

Wall Wash Trim

4" TRIMS

Note: Specifications and Dimensions subject to change without notice.

Visit our web site at www.cooperlighting.com

Customer First Center 1121 Highway 74 South Peachtree City, GA 30269 770.486.4800
Cooper Lighting 5925 McLaughlin Rd. Mississauga, Ontario, Canada L5R 1B8 905.507.4000

ADV071031