

► Models LHWB

Hazardous Location Light Mounting Kit



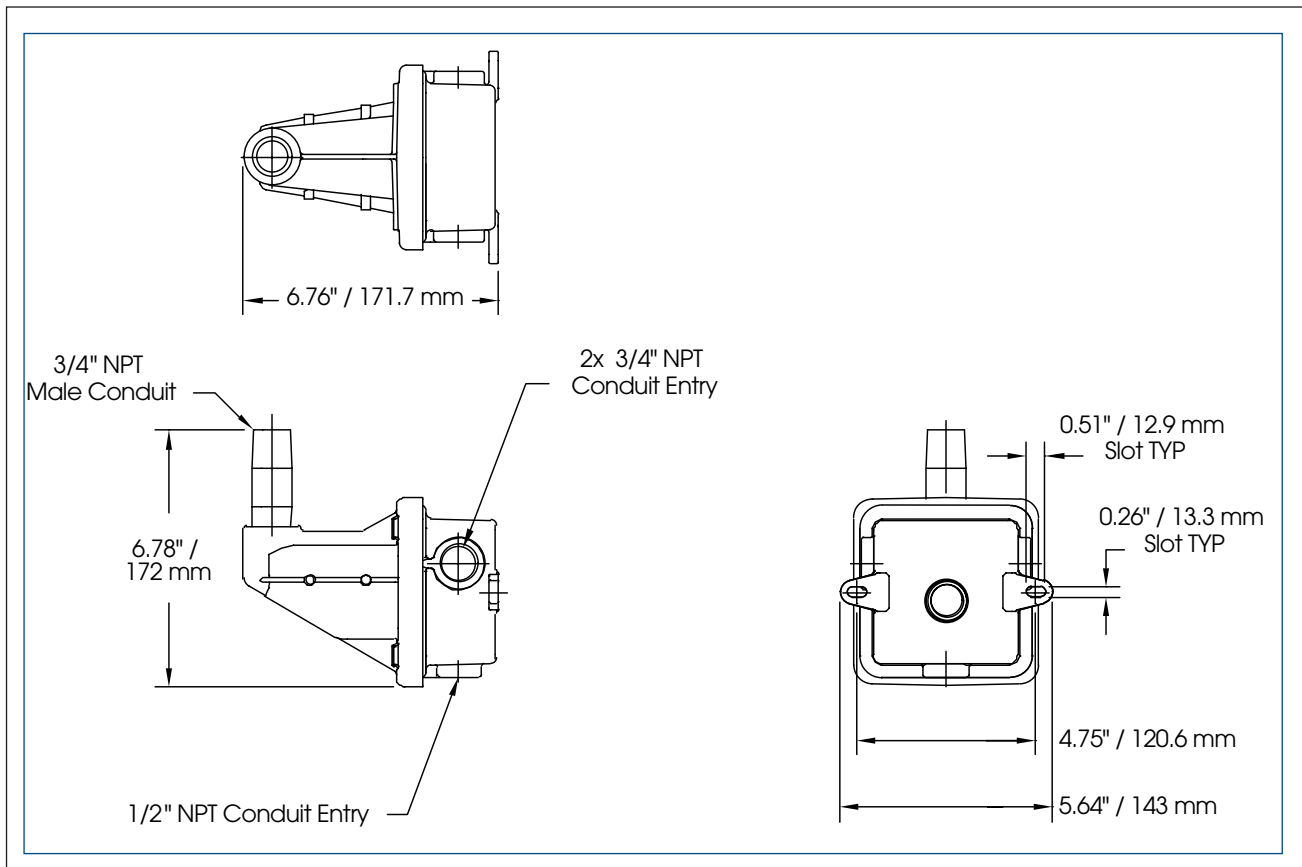
Federal Signal's Model LHWB Hazardous Location mounting bracket is specifically designed for use with Federal Signal's stationary warning lights to provide an easy and consistent means of securely mounting lights throughout a facility. The bracket features a 3/4-inch NPT male pipe connection. Optional bushings are available for 1/2-inch and 1 inch fixture mounting.

Model LHWB is constructed of durable cast aluminum and sealed with a durable black powder coat paint. Easy to install, these units can be wired through either the 1/2-inch or 3/4-inch conduit openings located in the weatherproof back box, included. Each kit includes a bracket, weatherproof back box and hardware kit. Easy installation, heavy-duty construction and a professional appearance make this bracket suitable for use in commercial, institution and industrial environments.

F E A T U R E S

- Heavy-duty construction
- Easy installation
- For wall mount applications
- Replaces unsightly and hazardous makeshift supports
- Provides 3/4-inch NPT standard pipe mount
- Indoor and outdoor use
- Type 4X, IP66 enclosure
- UL and cUL listed for Class I, Division 2, Groups A, B, C and D; Class II Division 2, Groups F and G; and Class III

Hazardous Location Light Mounting Kit (LHWB)



SPECIFICATIONS

Operating Temperature:	-58°F to 150°F	-50°C to 66°C
Net Weight:	2 lbs	0.91 kg
Shipping Weight:	2.3 lbs	1.04 kg
Height:	6.78"	172.2 mm
Width:	5.64"	143.2 mm
Depth:	6.76"	171.7 mm

REPLACEMENT PARTS

Description	Part Number
Hardware Kit, LHWB	K2881358A
Terminal Block Kit (8 connector) for WB	KIT-WBTB

HOW TO ORDER

Specify Model:

LHWB – Hazardous Location Mounting