



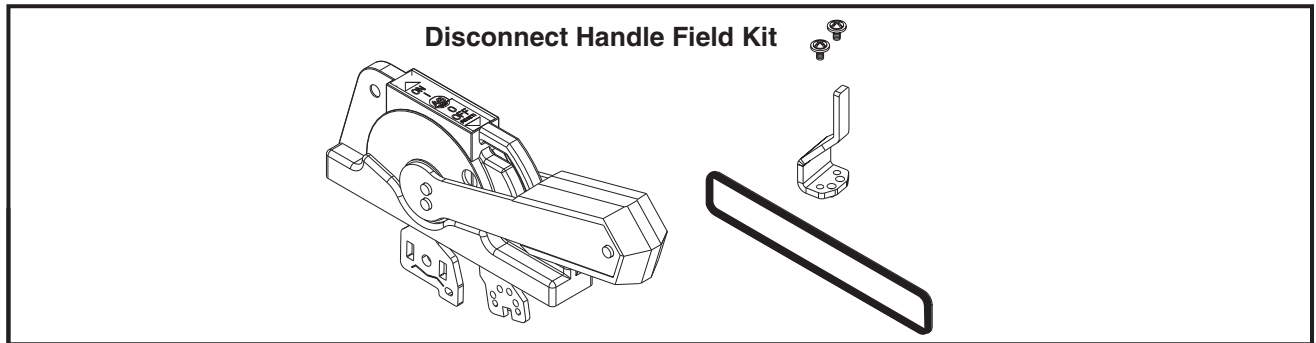
Disconnect Handle for Disconnect Switches and Circuit Breakers

(Cat 1494F-P1, 1494F-M1, 1494F-S1)

(Cat 140U-P1, 140U-M1, 140U-S1, 140U-P2)

⚠ WARNING

To prevent electrical shock, disconnect from power source before installing or servicing. Install in suitable enclosure. Keep free from contaminants.



Product Application	1494F-P1 Molded 5 - 1/2" Base	1494F-M1 Painted Metal 5 - 1/2" Base	1494F-S1 Stainless 5 - 1/2" Base	
NEMA Combination Starters				
NEMA Starter Size	0 ... 4	0 ... 4	0 ... 4	
Bulletin Number	502, 503, 506, 507, 512, 513, 522, 523, 532, 533, 542, 543, 572, 573, 1232, 1233, 1242, 1243, 1272, 1273, 1282, 1283	502, 503, 506, 507, 512, 513, 522, 523, 532, 533, 542, 543, 572, 573, 1232, 1233, 1242, 1243, 1272, 1273, 1282, 1283	502, 503, 506, 507, 512, 513, 522, 523, 532, 533, 542, 543, 572, 573	
NEMA Starter Size	5	5	5	
Bulletin Number	507, 513, 523, 533, 543, 573, 1233	507, 513, 523, 533, 543, 573, 1233	507, 513, 523, 533, 543, 573	
Enclosed Disconnect Safety Switches				
Switch Size	30A ... 200A			
Bulletin Number	1494G			
Open Style Disconnect Switches				
Switch Size	30A ... 200A			
Bulletin Number	1494V, 1494C			
Open Style Circuit Breakers				
Circuit Breaker Frame Size	125A, 150A, 250A, 400A			
Bulletin Number	1494V			
Handle Bulletin Number	140U-P1 Molded 5-1/2" Base	140U-M1 Painted Metal 5-1/2" Base	140U-S1 Stainless 5-1/2" Base	140U-P2 Molded 5-1/2" Base
140U / UE / M Circuit Breaker Frame Size	H, J, K, L, M 125A...800A			N 1200A
Handle Bulletin Number	1494F-P1 140U-P1	1494F-M1 140U-M1	1494F-S1 140U-S1	140U-P2
Handle Type Rating	1, 3, 3R, 4, 4X, 12	1, 3, 3R, 4, 12	4, 4X	1, 3, 3R, 4, 4X, 12