
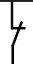

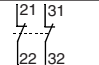
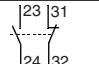
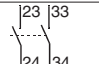

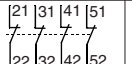
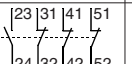
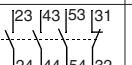
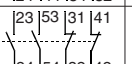
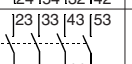

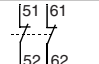
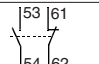
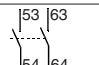
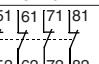
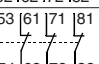
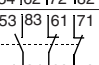

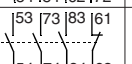
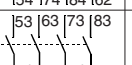

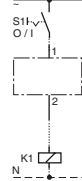


Auxiliary Contact Blocks




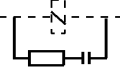
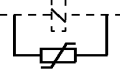

	Description	Connection Diagrams	 		For Use With	Pkg. Qty.	Screw Type Terminals	Spring Clamp Terminals
			N.O.	N.C.			Cat. No.	Cat. No.
			0	2	100-K05...K12	1	100-KFC02	100-KRFC02
			1	1	100-K05...K12	1	100-KFC11	100-KRFC11
			2	0	100-K05...K12	1	100-KFC20	100-KRFC20
	Front-Mounted Auxiliary Contacts <ul style="list-style-type: none"> • Auxiliary contact blocks • 2- and 4-pole versions • Choice of contact configurations • Snap on, no tools required • Electronically-compatible bifurcated contacts for signals down to 15V/2 mA • Mirror Contact performance per IEC 60947-4-1 with DC coil contactors only 		0	4	100-K05...K12	1	100-KFC04	100-KRFC04
			1	3	100-K05...K12	1	100-KFC13	100-KRFC13
			3	1	100-K05...K12	1	100-KFC31	100-KRFC31
			2	2	100-K05...K12	1	100-KFC22	100-KRFC22
			4	0	100-K05...K12	1	100-KFC40	100-KRFC40
			0	2	100/104-K, 700-K	1	100-KFA02E	100-KRFA02E
			1	1	100/104-K, 700-K	1	100-KFA11E	100-KRFA11E
			2	0	100/104-K, 700-K	1	100-KFA20E	100-KRFA20E
			0	4	100/104-K, 700-K	1	100-KFA04E	100-KRFA04E
			1	3	100/104-K, 700-K	1	100-KFA13E	100-KRFA13E
			2	2	100/104-K, 700-K	1	100-KFA22Z	100-KRFA22Z
			3	1	100/104-K, 700-K	1	100-KFA31Z	100-KRFA31Z
			4	0	100/104-K, 700-K	1	100-KFA40E	100-KRFA40E

Timers

	Description	On-Delay	Connection Diagrams	For Use With	Pkg. Qty.	Cat. No.
	Solid-State Timing Element <ul style="list-style-type: none"> • 110...250V AC or DC • Includes 35 mm Hat Rail adapter 	On-Delay, 0.1...3 s		100/104-K, 700-K	10	100-KT3S
		On-Delay, 1...30 s				100-KT30S



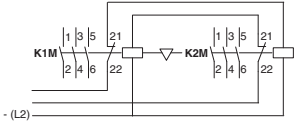


Control Modules

2

	Description		Connection Diagrams	For Use With	Pkg. Qty.	Cat. No.
	Mechanical Interlock <ul style="list-style-type: none"> For interlocking of two adjacent contactors No added width to contactor assembly Front mount plug-in type Optional auxiliary contact blocks and suppressor modules mount onto the interlock 			100-K, 700-K (AC & DC Control)	1	100-KMCH
	RC Suppressor	24...48V AC		100/104-K, 700-K	1 *	100-KFSC50
		110...280V AC			1 *	100-KFSC280
		380...480V AC			1 *	100-KFSC480
	MOV Suppressor	12...55V AC, 12...77V DC		100/104-K, 700-K	1 *	100-KFSV55
		56...136V AC, 78...180V DC			1 *	100-KFSV136
		137...277V AC, 181...250V DC			1 *	100-KFSV277
Diode Suppressor	12...250V DC		100/104-K, 700-K	1 *	100-KFSD250	

* May be ordered in package quantities of 10. Add letter M to the end of the cat. no. Example: **100-KFSC50M**.



Connecting Components

	Description		For Use With	Pkg. Qty.	Cat. No.
	ECO Connecting Module — 12 A <ul style="list-style-type: none"> For DOL and reversing starters Eco-starters mount on single DIN Rail (140M on DIN Rail) Electrical and mechanical interconnection of 140M MPCB and 100-K contactors 	Connects: 140M-C circuit breakers with 100-K contactors	140M-C to 100-K	1 *	140M-C-PEK12
	Power Wiring Kit For Reversing and Star/Delta combinations. Star-point bridge not included. Min. interruption time 50 ms		100-K	1	100-KPR
	Feeder Terminal for Compact Bus Bars Max. current 34 A	Supply of compact bus bars	100-K	1	100-KWT
	Three-Phase Compact Bus Bars Max. current 34 A	For 100-K, 5...12 A contactors 45 mm spacing (3 connections)*	100-K	1	100-KW453
		For 100-K, 5...12 A contactors 45 mm spacing (4 connections)*	100-K	1	100-KW454

* May be ordered in package quantities of 10. Add letter M to the end of the cat. no. Example: **140M-C-PEK12M**.

* Combinations possible. Example: For 6 contactor connections use one cat. no. 100-KW453 and one cat. no. 100-KW454.

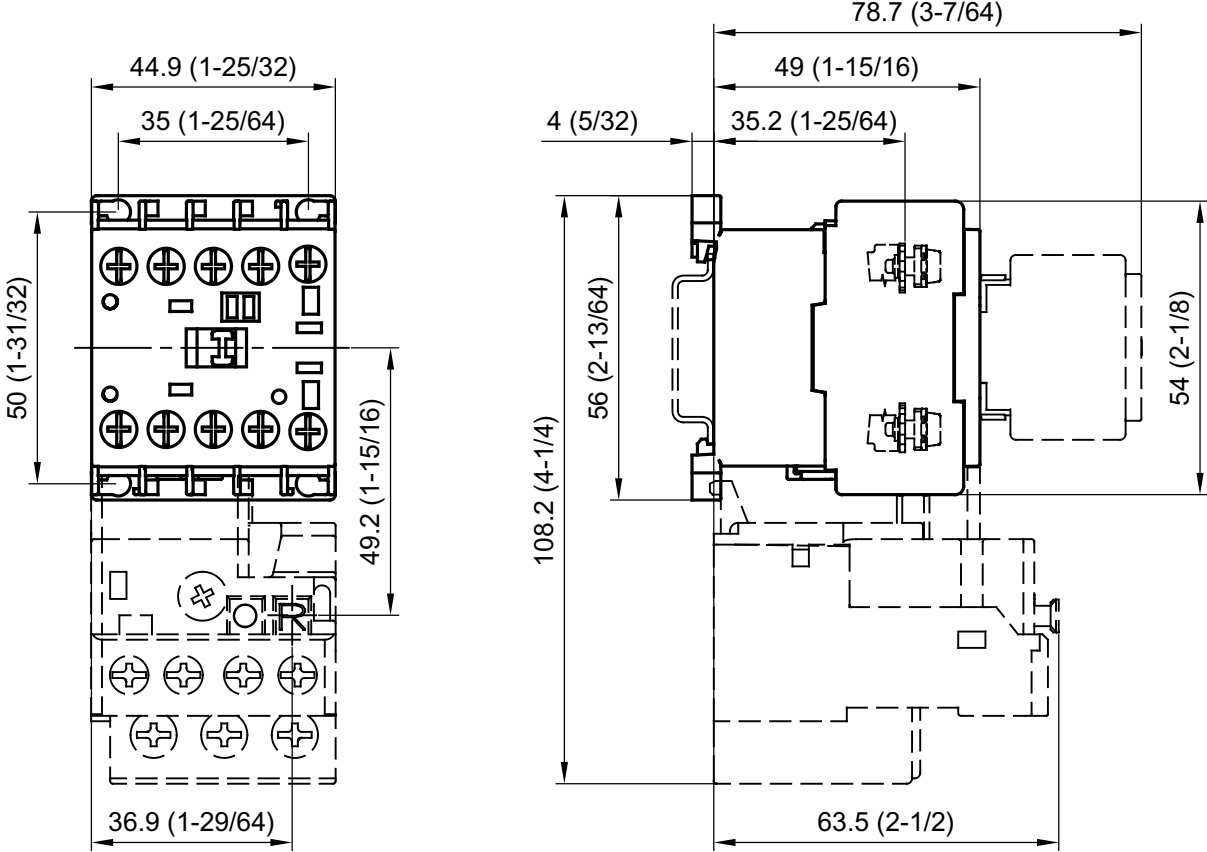
Marking Systems

	Description	Pkg. Qty.	Cat. No.
	Label Sheet 105 self-adhesive paper labels each, 6 x 17 mm	10	100-FMS
	Snap-In Marker Card	5	1492-M6X12

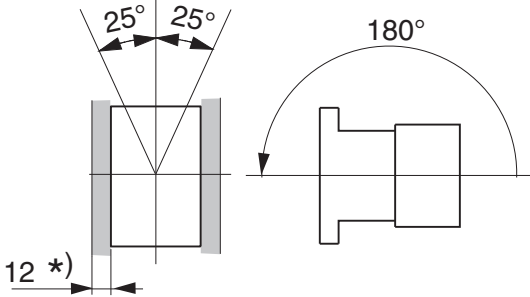


Dimensions are shown in millimeters (inches). Dimensions are not intended for manufacturing purposes.

Bulletin 100-K Contactors and Accessories, Bulletin 193-K Overload Relays





Mounting Position
 With Accessories



*) -Minimum distance to grounded parts or walls

Auxiliary Contacts, Auxiliary Contact Blocks, and Pneumatic Timers

	100-K		100-C, 100S-C				100-D, 100S-D			
	Internal	Front-mounted	Internal	Front-mounted	Front-mounted (Bifurcated)	Side-mounted	Side-mounted			
							Convent'l	Bifurcated	Electronically compatible	
Switching of AC Loads										
AC-12 I _{th}	at 40 °C [A]	10	10	20	10	10	10	16	10	0.1
	at 60 °C [A]	6	6	20	6	6	6	12	6	at 250V
AC-15 at rated voltage of										
24V [A]	6	3	10	6	3	6	5.5	3	(1...100 mA) at 3...125V	
42/48V [A]	6	3	10	6	3	6	5.5	3		
120V [A]	6	3	10	6	3	6	5.5	3		
230V [A]	3	2	10	5.5	3	5.5	5.5	3		
240V [A]	3	2	10	5	3	5	5	3		
400V [A]	1.8	1.2	6	3	2	3	3	2		
415V [A]	1.8	1.2	6	3	2	3	2.5	2		
500V [A]	1.4	1.0	2.5	1.6	1.2	1.6	1.6	1.2		
690V [A]	1.0	0.6	1	1	0.7	1	1	0.7		
Switching of DC Loads										
DC-12 L/R < 1 ms resistive loads at										
24V DC [A]	6	—	12	12	6	6	16	16	—	
48V DC [A]	4	—	9	9	3.2	3.2	9	9	—	
110V DC [A]	0.6	—	3.5	3.5	0.45	0.45	3.5	3.5	—	
220V DC [A]	0.2	—	0.55	0.55	0.18	0.18	0.55	0.55	—	
440V DC [A]	0.08	—	0.2	0.2	0.1	0.1	0.2	0.2	—	
DC-14 L/R < 15 ms inductive loads with economy resistor in series at										
24V DC [A]	4	—	9	9	2	2	9	9	—	
48V DC [A]	2.5	—	5	5	1.6	1.6	5	5	—	
110V DC [A]	0.4	—	2	2	0.3	0.3	2	2	—	
220V DC [A]	0.12	—	0.4	0.4	0.12	0.12	0.4	0.4	—	
440V DC [A]	0.05	—	0.16	0.16	0.05	0.05	0.16	0.1	—	
DC-13 switching electromagnets at										
24V DC [A]	2.8	2.3	5	5	2.5	5	5	5	(1...100 mA) at 3...125V	
48V DC [A]	1.2	1	3	3	1.5	2.5	2	2		
110V DC [A]	0.55	0.55	1.2	1.2	0.6	0.68	0.7	0.7		
220V DC [A]	0.27	0.27	0.6	0.6	0.3	0.32	0.25	0.25		
440V DC [A]	0.15	0.15	0.3	0.15	0.15	0.15	0.12	0.12		
Fuse gG										
Short-circuit protection with no welding of contacts per IEC 60947-5-1										
 [A]	10	10	20	10	10	10	16	16	—	
 [A]	10	10	20	10	10	10	16	16	—	
Protective Separation per IEC 60947-1, Annex N	—	—	between load and auxiliary circuit 320V	between load and auxiliary circuit 440V	between load and auxiliary circuit 440V					
Min. switching capacity according to IEC 60947-5-4	15V/10 mA	15V/2 mA	17V/10 mA	17V/5 mA	5V/3 mA	17V/10 mA	17V/10 mA	5V/2 mA (1 Mio. ops.)	3V/1 mA	
Failure rate	—	—	—	—	—	—	—	<10-8 (less than 1 failure to 100 Mio. operations)	—	
Load Carrying Capacity per UL/CSA										
Rated voltage AC [V]	max. 600		max. 600				max. 600		max. 250	
Continuous rating 40 °C [A]	10		10	10	10	10	10 General purpose		0.1	
Switching capacity AC [A]	A 600	B 600	A 600				Heavy pilot duty (A 600)		0.1	
Rated voltage DC [V]	max. 600		max. 600				max. 600		max. 250	
Switching capacity DC [A]	Q 600		P 600	Q 600	Q 600		Standard pilot duty (P 600)	Standard pilot duty (Q 600)	0.1	