
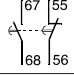
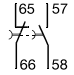

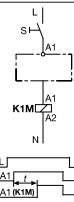
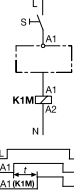

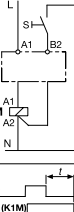
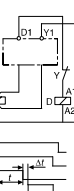

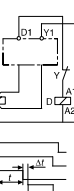


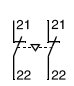

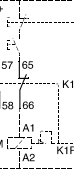



Control Modules (For 100-C09...C97 contactors)

	Description	Connection Diagrams	For Use With	Cat. No.			
	<b>Pneumatic Timing Modules</b> • Pneumatic timing element contacts switch after the delay time. The contacts on the main contactor relay continue to operate without delay.	<b>On-Delay</b> 0.3...30 s Range 1.8...180 s Range		100-C or 700-CF with AC or 24V DC electronic coils†	100-FPTA30 100-FPTA180		
		<b>Off-Delay</b> 0.3...30 s Range 1.8...180 s Range			100-C all, 700-CF all	100-FPTB30 100-FPTB180	
			<b>Electronic Timing Modules — On-Delay</b> Delay of the contactor or control relay solenoid. The contactor or control relay is energized at the end of the delay time.	0.1...3 s Range 1...30 s Range 10...180 s Range		100-C or 700-CF with 110...240V, 50/60 Hz or 110...250V DC coils	100-ETA3 100-ETA30 100-ETA180
				0.1...3 s Range 1...30 s Range 10...180 s Range			
	<b>Electronic Timing Modules — Off-Delay</b> Delay of the contactor or control relay solenoid. After interruption of the control signal, the contactor or control relay is deenergized at the end of the delay time.	0.3...3 s Range 1...30 s Range 10...180 s Range		100-C or 700-CF with 24...48V DC coils	100-ETBKJ3 100-ETBKJ30 100-ETBKJ180		
		0.3...3 s Range 1...30 s Range 10...180 s Range				100-C09...C37 or 700-CF with 24V 50/60 Hz coils	100-ETB3 100-ETB30 100-ETB180
		0.3...3 s Range 1...30 s Range 10...180 s Range	100-C or 700-CF with 110...240V 50/60 Hz coils	100-ETBKJ3 100-ETBKJ30 100-ETBKJ180			
		0.3...3 s Range 1...30 s Range 10...180 s Range		100-ETB3 100-ETB30 100-ETB180			
			<b>Electronic Timing Modules</b> • Delay of the contactor solenoid. Contactor K 3 (Y) is de-energized (off) and K 2 (D) is energized (on) at the end of the set Y end time. (Switching delay at 50 ms.) • Continuous adjustment range • High repeat accuracy	<b>Transition Time Y Contactor</b> 1...30 s Range		100-C with 110...240V, 50/60 Hz coils	100-ETBKJ3 100-ETBKJ30 100-ETBKJ180
1...30 s Range	100-ETB3 100-ETB30 100-ETB180						
	<b>Mechanical Interlocks</b> • For interlocking of two contactors. • Common interlock for all Bul. 100-C contactor sizes • Interlocking of different sizes possible • Mechanical and electrical interlocking possible in one module by means of integrated auxiliary contacts • 9 mm dovetail connector included	Mechanical only, without auxiliary contacts		100-C (except 100-C40, -C90)	100-ETBKJ3 100-ETBKJ30 100-ETBKJ180		
		Mechanical/ electrical interlock with 2 N.C. auxiliary contacts				100-C (except 100-C40, -C90)	100-ETB3 100-ETB30 100-ETB180
	<b>Mechanical Latch</b> • Following contactor latching, the contactor coil is immediately de-energized (off) by the N.C. auxiliary contact (65-66). • Electrical or manual release • 1 N.O. + 1 N.C. auxiliary contacts • Suitable for all Bul. 100-C contactor sizes, 9...97 A	Mechanical only, without auxiliary contacts		100-C (except 100-C40, -C90)	100-ETBKJ3 100-ETBKJ30 100-ETBKJ180		
		Mechanical/ electrical interlock with 2 N.C. auxiliary contacts				100-C (except 100-C40, -C90)	100-ETB3 100-ETB30 100-ETB180
		Maximum command duration 0.03...10 s		100-C with AC or 24V DC electronic coils (except 100-C90)	100-ETBKJ3 100-ETBKJ30 100-ETBKJ180		

† Cannot be used with side-mounted auxiliary contacts on 700-CF DC relays.

⊗ **Coil Voltage Code**

The cat. no. as listed is incomplete. Select a voltage suffix code from the table below to complete the cat. no. Example: 120V, 60 Hz: **Cat. No. 100-FL11**⊗ becomes **Cat. No. 100-FL11D**.

Voltage* [V]	24	48	100	110	120	230...240	240	277	380...400	400...415	440	480
50 Hz	K	Y	KP	D	—	VA	KA	—	N	G	B	—
60 Hz	J	—	—	—	D	—	KA	T	—	—	N	B

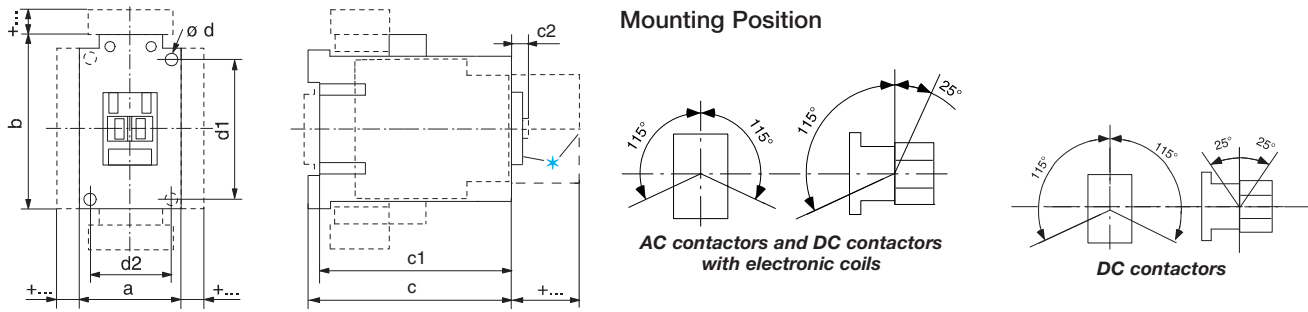
\* For special voltages, consult your local Rockwell Automation sales office or Allen-Bradley distributor.



Bulletin 100-C/104-C  
**IEC Contactors**  
 Approximate Dimensions

Dimensions are shown in millimeters (inches). Dimensions are not intended for manufacturing purposes.

**Bulletin 100-C Contactors and Accessories**



2

**AC Contactors and DC Contactors with 12V or 24V Electronic Coils**

Cat. No.	a	b	c	c1	c2	Ød	d1	d2
100-C09...100-C23	45 (1-25/32)	81 (3-3/16)	80.5 (3-11/64)	75.5 (2-31/32)	6 (15/64)	2 - 4.5 (2 -3/16)	60 (2-23/64)	35 (1-3/8)
100-C30, 100-C37	45 (1-25/32)	81 (3-3/16)	97.5 (4)	92.5 (3-41/64)	6.5 (1/4)	2 - 4.5 (2 -3/16)	60 (2-23/64)	35 (1-3/8)
100-C40	59 (2-21/64)	81 (3-3/16)	100.5 (3-61/64)	95.5 (3-49/64)	6.5 (1/4)	2 - 4.5 (2 -3/16)	60 (2-23/64)	45 (1-25/32)
100-C43	54 (2-1/8)	81 (3-3/16)	100.5 (3-61/64)	95.5 (3-49/64)	6.5 (1/4)	2 - 4.5 (2 -3/16)	60 (2-23/64)	45 (1-25/32)
100-C60...100-C97	72 (2-53/64)	122 (4-51/64)	117 (4-39/64)	111.5 (4-25/64)	8.5 (21/64)	4 - 5.4 (4 - 7/32)	100 (3-15/16)	55 (2-11/64)
100-C90	95 (3-47/64)	122 (4-51/64)	117 (4-39/64)	111.5 (4-25/64)	8.5 (21/64)	4 - 5.4 (4 - 7/32)	100 (3-15/16)	55 (2-11/64)

**DC Contactors with Conventional Coils**

Cat. No.	a	b	c	c1	c2	Ød	d1	d2
100-C09Z...100-C16Z	45 (1-25/32)	81 (3-3/16)	106.5 (4-3/16)	101.5 (4)	6 (15/64)	2 - 4.5 (2 -3/16)	60 (2-23/64)	35 (1-3/8)
100-C23Z	45 (1-25/32)	81 (3-3/16)	123.5 (4-55/64)	119 (4-43/64)	6 (15/64)	2 - 4.5 (2 -3/16)	60 (2-23/64)	35 (1-3/8)
100-C30Z...100-C37Z	45 (1-25/32)	81 (3-3/16)	141.5 (5-37/64)	136.5 (5-3/8)	6.5 (1/4)	2 - 4.5 (2 -3/16)	60 (2-23/64)	35 (1-3/8)
100-C40Z	59 (2-21/64)	81 (3-3/16)	144.5 (5-11/16)	139.5 (5-1/2)	6.5 (1/4)	2 - 4.5 (2 -3/16)	60 (2-23/64)	45 (1-25/32)
100-C43Z	54 (2-1/8)	81 (3-3/16)	144.5 (5-11/16)	139.5 (5-1/2)	6.5 (1/4)	2 - 4.5 (2 -3/16)	60 (2-23/64)	45 (1-25/32)
100-C60D...100-C97D	72 (2-53/64)	122 (4-51/64)	117 (4-39/64)	111.5 (4-25/64)	8.5 (21/64)	4 - 5.4 (4 - 7/32)	100 (3-15/16)	55 (2-11/64)
100-C90D	95 (3-47/64)	81 (3-3/16)	117 (4-39/64)	111.5 (4-25/64)	8.5 (21/64)	4 - 5.4 (4 - 7/32)	100 (3-15/16)	55 (2-11/64)

**DC Contactors with 110V or 220V DC Electronic Coils**




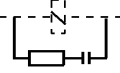
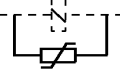

Cat. No.	a	b	c	c1	c2	Ød	d1	d2
100-C09E...100-C23E	45 (1-25/32)	105 (4-1/8)	80.5 (3-11/64)	75.5 (2-31/32)	6 (15/64)	2 - 4.5 (2 -3/16)	60 (2-23/64)	35 (1-3/8)
100-C30E...100-C37E	45 (1-25/32)	105 (4-1/8)	97.5 (4)	92.5 (3-41/64)	6.5 (1/4)	2 - 4.5 (2 -3/16)	60 (2-23/64)	35 (1-3/8)
100-C40EA...100-C40ED	59 (2-21/64)	105 (4-1/8)	100.5 (3-61/64)	95.5 (3-49/64)	6.5 (1/4)	2 - 4.5 (2 -3/16)	60 (2-23/64)	45 (1-25/32)
100-C43EA...100-C43ED	54 (2-1/8)	105 (4-1/8)	100.5 (3-61/64)	95.5 (3-49/64)	6.5 (1/4)	2 - 4.5 (2 -3/16)	60 (2-23/64)	45 (1-25/32)

**Accessories**

	Contactors with	mm	(inches)
Auxiliary contact block for front mounting	2- or 4-pole	c/c1 + 39	(c/c1 + 1-37/64)
Auxiliary contact block for side mounting	1- or 2-pole	a + 9	(a + 23/64)
Pneumatic Timing Module		c/c1 + 58	(c/c1 + 2-23/64)
Electronic Timing Module	on coil terminal side	b + 24	(b + 15/16)
Mechanical Interlock	on side of contactor	a + 9	(a + 23/64)
Mechanical Latch		c/c1 + 61	(c/c1 + 2-31/64)
Interface Module	on coil terminal side	b + 9	(b + 23/64)
Surge Suppressor	on coil terminal side	b + 3	(b + 1/8)
Labeling with *	label sheet	+ 0	(+ 0)
	marking tag sheet with clear cover	+ 0	(+ 0)
	marking tag adapter for System V4 / V5	+ 5.5	(+ 7/32)
	marking tag adapter for System Bul. 1492W	+ 5.5	(+ 7/32)
Terminal Lug Kit	100-C09...C23	b + 53	(b + 2-3/32)
	100-C30...37	b + 44	(b + 1-47/64)
	100-C43	b + 52	(b + 2-3/64)
	100-C60...C97	b + 99	(b + 3-7/8)
Paralleling Links	100-C09...C23	b + 78	(b + 3-1/16)
	100-C30...C37	c + 9/5	(c + 3/8)
		b + 85	(b + 3-11/32)



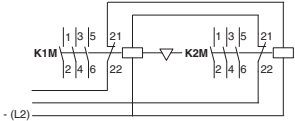


Control Modules

2

	Description		Connection Diagrams	For Use With	Pkg. Qty.	Cat. No.	
	<b>Mechanical Interlock</b> <ul style="list-style-type: none"> <li>For interlocking of two adjacent contactors</li> <li>No added width to contactor assembly</li> <li>Front mount plug-in type</li> <li>Optional auxiliary contact blocks and suppressor modules mount onto the interlock</li> </ul>			100-K, 700-K (AC & DC Control)	1	100-KMCH	
	<b>RC Suppressor</b>	24...48V AC		100/104-K, 700-K	1 *	100-KFSC50	
		110...280V AC			1 *	100-KFSC280	
		380...480V AC			1 *	100-KFSC480	
	<b>MOV Suppressor</b>	12...55V AC, 12...77V DC		100/104-K, 700-K	1 *	100-KFSV55	
		56...136V AC, 78...180V DC				1 *	100-KFSV136
		137...277V AC, 181...250V DC				1 *	100-KFSV277
<b>Diode Suppressor</b>	12...250V DC		100/104-K, 700-K	1 *	100-KFSD250		

\* May be ordered in package quantities of 10. Add letter M to the end of the cat. no. Example: **100-KFSC50M**.



Connecting Components

	Description		For Use With	Pkg. Qty.	Cat. No.
	<b>ECO Connecting Module — 12 A</b> <ul style="list-style-type: none"> <li>For DOL and reversing starters</li> <li>Eco-starters mount on single DIN Rail (140M on DIN Rail)</li> <li>Electrical and mechanical interconnection of 140M MPCB and 100-K contactors</li> </ul>	Connects: 140M-C circuit breakers with 100-K contactors	140M-C to 100-K	1 *	140M-C-PEK12
	<b>Power Wiring Kit</b> For Reversing and Star/Delta combinations. Star-point bridge not included. Min. interruption time 50 ms		100-K	1	100-KPR
	<b>Feeder Terminal for Compact Bus Bars</b> Max. current 34 A	Supply of compact bus bars	100-K	1	100-KWT
	<b>Three-Phase Compact Bus Bars</b> Max. current 34 A	For 100-K, 5...12 A contactors 45 mm spacing (3 connections)*	100-K	1	100-KW453
		For 100-K, 5...12 A contactors 45 mm spacing (4 connections)*	100-K	1	100-KW454

\* May be ordered in package quantities of 10. Add letter M to the end of the cat. no. Example: **140M-C-PEK12M**.

\* Combinations possible. Example: For 6 contactor connections use one cat. no. 100-KW453 and one cat. no. 100-KW454.

Marking Systems

	Description	Pkg. Qty.	Cat. No.
	<b>Label Sheet</b> 105 self-adhesive paper labels each, 6 x 17 mm	10	100-FMS
	<b>Snap-In Marker Card</b>	5	1492-M6X12