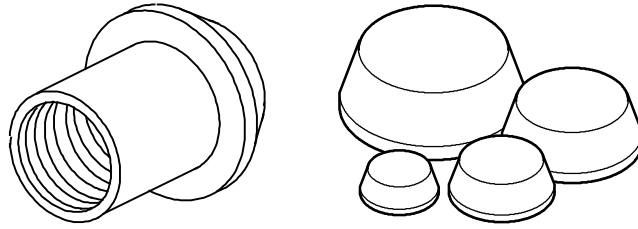


Accessories

End Caps for Tubular Proximity Sensors



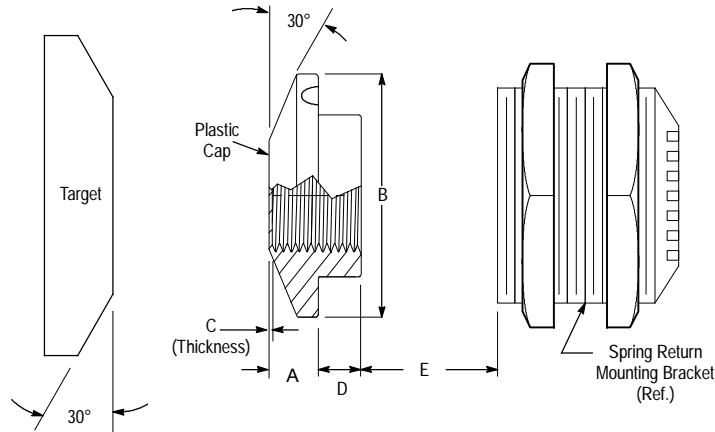
8, 12, 18, 30 mm

Description

Plastic deflecting caps are designed to be utilized with spring return brackets when lateral collisions might occur. The

cap is simply threaded onto the front of the proximity sensor. The 30° slope

allows the sensor and spring bracket to retract when a lateral collision occurs.



Approximate Dimensions [mm (in.)]

Shielded

Sensor Diameter	A	B	C	D	E	Cat. No.
8 mm	5.1 (0.20)	15.1 (0.59)	0.25 (0.01)	0	10.0 (0.39)	871A-KP8
12 mm	6.4 (0.25)	22.9 (0.90)	0.89 (0.04)			871A-KP12
18 mm	8.0 (0.31)	31.4 (1.34)				871A-KP18
30 mm		44.5 (1.75)	12.7 (0.50)		871A-KP30	

Unshielded

Sensor Diameter	A	B	C	D	E	Cat. No.
8 mm	5.1 (0.20)	15.1 (0.59)	0.25 (0.01)	9.51 (0.37)	10.0 (0.39)	871A-KPU8
12 mm	6.4 (0.25)	22.9 (0.90)	0.89 (0.04)	17.3 (0.68)		871A-KPU12
18 mm	8.0 (0.31)	31.4 (1.34)		871A-KPU18		
30 mm		44.5 (1.75)	20.0 (0.79)	12.7 (0.50)	871A-KPU30	