

Product Selection

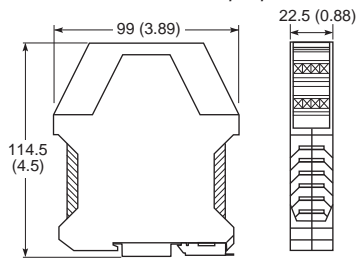
Inputs	Button Type	Safety Outputs	Terminals	Reset Type	Power Supply	Cat. No.
1 N.C. + 1 N.O. (Two-Hand Control)	Mechanical or Bulletin 800Z	2 N.O.	Removable (MSR125HP)	Automatic	24V DC	440R-D23171
					24V AC	440R-D23170
					115V AC	440R-D23169
			Fixed (MSR125H)		230V AC	440R-D23168
					24V DC	440R-D23166
					115V AC	440R-D23164
					230V AC	440R-D23163

Accessories

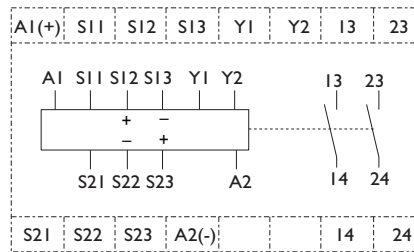
Description	Cat. No.
Bag of 4, 4-Pin Screw Terminal Blocks	440R-A23209
Bag of 4, 4-Pin Spring Clamp Terminal Blocks	440R-A23228

Approximate Dimensions

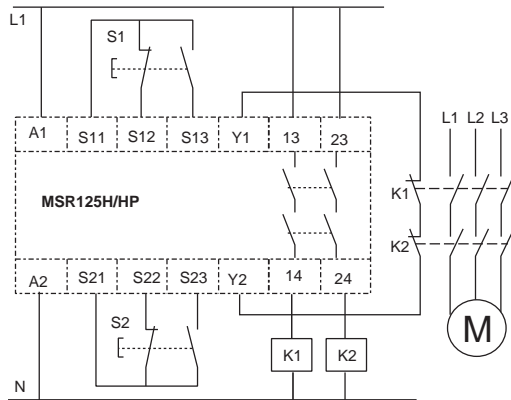
Dimensions are shown in mm (in.). Dimensions are not intended to be used for installation purposes.



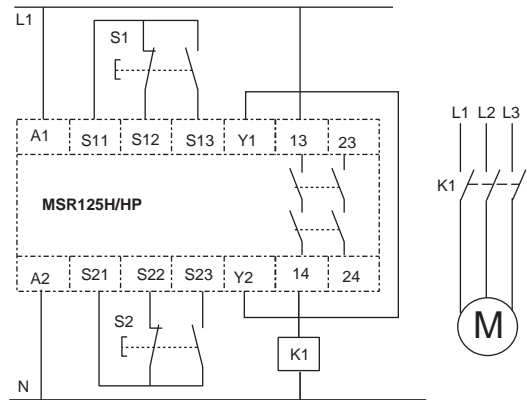
Block Diagram



Typical Wiring Diagrams



**Two-Hand Control, Dual Channel, Auto Reset,
Output Monitoring**



**Two-Hand Control, Dual Channel, Auto Reset,
No Output Monitoring**