
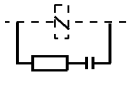
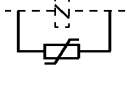








Suppressor Modules

2

	Description	Connection Diagram	Suppressor Rating	For Use With	Cat. No.
 <p>Suppressor Module for Bul. 100-D Contactors</p> <ul style="list-style-type: none"> For limiting surge voltage when coil circuits are interrupted Supplied as standard on all conventional DC coil contactors and all electronic coil contactors (as part of the supply module or delivered with separate suppressor module) 		<p>RC Module (AC control) for contactors with conventional coil 21...48V, 50 Hz; 24...55V, 60 Hz 95...110V, 50 Hz; 110...127V, 60 Hz 180...277V, 50 Hz; 208...277V, 60 Hz 380...550V, 50 Hz; 440...600V, 60 Hz</p>	100-D115...100-D180	100-DFSC48	
				100-DFSC110	
				100-DFSC240	
				100-DFSC550	
		<p>Varistor Module for contactors with conventional coil 55V AC 56...136V AC 137...277V AC 278...600V AC</p>	100-D115...100-D420	100-DFSV55	
				100-DFSV136	
				100-DFSV277	
				100-DFSV575	
		<p>Varistor Module for contactors with electronic coil 208...277V AC* 380...500V AC*</p>	100-D115...100-D420	100-DFSV550	
				100-D115E... 100-D420E	

* For overvoltage category IV (IEC 947 for 100-D...-EI) e.g., lightning protection requirements.
 * For surge pulse >1 kV
 Package Quantity = 1

Connecting Components

	Description	Output Connection	For Use With			Terminal Connection	Cat. No.	
			100-D115...180	100-D210...420	100-D630...860			
	Reversing: Input Connection Wye-Delta: Main-Delta connection	50 mm ²	X			Lugs, 100-DL...	100-D180-VLTB	
		120 mm ²		X			100-D420-VL	
		350 mm ²			X		100-D860-VL	
			Reversing: Output Connection Wye-Delta: Delta-Wye connection	50 mm ²	X			Terminal Blocks, 100-DTB...
120 mm ²				X		100-D420-VLTB		
50 mm ²						X	Lugs, 100-DL...	100-D180-VT
120 mm ²				X		100-D420-VT		
	Delta-Wye connection if 100-D115...180 is used as a Wye contactor	80 mm ²	—	X		Terminal Blocks, 100-DTB...	100-D860-VT	
			X				100-D180-VTTB	
	Wye-Delta: Neutral bridge	—	X			—	100-D420-VYTB	
		—		X			100-D180-VYU	
		—			X		100-D860-VYU	
	Power Wiring Kits (for contactors using 100-DL lug kits)	For 100-D115...D100-D180			Terminal Blocks, 100-DTB...	100-DPW180 100-D180-VL 100-DPY180		
		<ul style="list-style-type: none"> Reversing Two-speed, or changeover Wye-Delta/Star-Delta 						
		For 100-D210...100-D420						
		<ul style="list-style-type: none"> Reversing Two-speed, or changeover Wye-Delta/Star-Delta 			Terminal Blocks, 100-DTB...	100-DPW420 100-D420-VL 100-DPY420		
		For 100-D630...100-D860						
		<ul style="list-style-type: none"> Reversing Two-speed, or changeover 			100-DPW860 100-D860-VL			

Package Quantity = 1