



Micro Style IDC



Open Style IDC

Terminator

### Description

The KwikLink Insulation Displacement Connectors (IDCs) interface drop cables to the flat cable trunkline with optimal plug and play capability at minimal cost. The hinged, two piece base snaps snugly around the flat cable at any point along the trunk. Contact is made with the cable's four conductors by tightening two screws that drive the contacts through the cable jacket and into the conductors. The upper portion of the IDC provides the connection to the drop cable and is available in several versions including micro- and open-style connectors. Sealed versions offer NEMA 6P and 13, IP67 and 1200 psi washdown protection and feature a wide working temperature range (-25...75°C (-13...167°F)) for outdoor use. The compact Valox construction (roughly two inch square) makes KwikLink IDCs chemically resistant for use in harsh industrial environments.

### Specifications

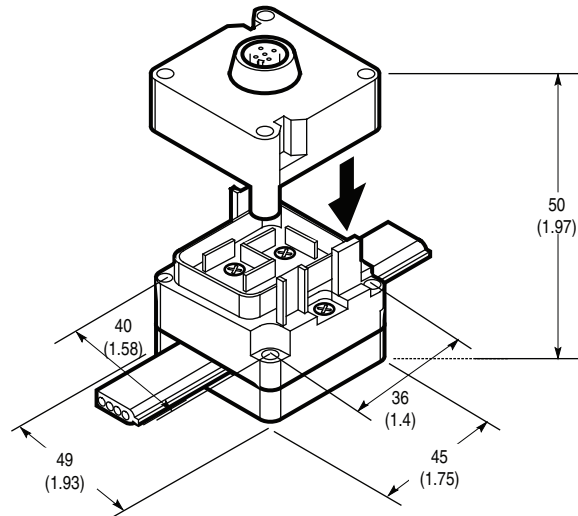
Storage Temperature [C (F)]	-40...+85 ° (-40...+185 °)
Operating Temperature [C (F)]	-25...+75 ° (-13...+167 °)
Enclosure Type Rating	Unsealed: NEMA 1; IP60 (IEC 529) Sealed: NEMA 6P, 13, IP67 and 1200 psi washdown
Vibration	1.5 mm displacement @ 10...500 Hz, 10 G peak, 3 planes
Material	Valox®
Dimensions	45 x 49 x 50 mm (1.8 x 1.8 x 2 in.)

### Features

- Sealed and unsealed versions
- Quick simple installation
- Rugged Valox housing
- Includes interface and IDC module
- Terminator includes interface, IDC module, and flat cable end cap

### Approximate Dimensions

Dimensions are in millimeters (inches). Illustrations are not drawn to scale.



### Product Selection

Connector Style	Assembly Rating	Connector Material	Color	Cat. No.	
				Unsealed	Sealed
Terminator	24V DC 8 A	Valox®	Black	1485A-T1H4	1485A-T1E4
Micro Style	24V DC 3 A			1485P-P1H4-R5	1485P-P1E4-R5
Open Style	24V DC 8 A			1485P-P1H4-T4	—