
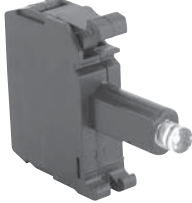




22.5 mm Push Buttons

Product Selection

Back of Panel Components, Continued

Other

	Description	Volts	Pkg. Quantity	Cat. No.
 <p>Cat. No. 800F-D3C</p>	<p>Incandescent Module For use with pilot lights, push buttons, and momentary mushroom operators. Note: Sold in multiples of 10. Order (quantity of) 10 to receive one package of 10 pieces. Latch not included.</p>	No bulb	10	800F-D0C
		6V AC/DC		800F-D1C
		12V AC/DC		800F-D2C
		24V AC/DC		800F-D3C
		48V AC/DC		800F-D4C
		120V AC/DC		800F-D5C
 <p>Cat. No. 800F-N3G</p>	<p>Integrated LED Module For use with all illuminated devices. For best results, LED should match lens color. For amber operators, use yellow LED. Note: Sold in multiples of 10. Order (quantity of) 10 to receive one package of 10 pieces. Latch not included.</p>	24...120V AC/DC	10	* 800F-NUx
		24V AC/DC		* 800F-N3x
		120V AC		* 800F-N5x
		240V AC		* 800F-N7x
		24V AC/DC spring-clamp		* 800F-Q3x
		120V AC spring-clamp		* 800F-Q5x
		240V AC spring-clamp		* 800F-Q7x
		24V AC/DC ring lug		*† 800F-R3x
	Description	Contact Material	Pkg. Quantity	Cat. No.
 <p>Cat. No. 800F-BX01</p>	<p>Base Mounted Contact Block Base mounted contact blocks can be used in plastic or metal enclosures. Note: Sold only in multiples of 10. Order (quantity of) 10 to receive one package of 10 pieces. Latch not included.</p>	N.O.	10	800F-BX10
		N.C.		800F-BX01
		N.O. low voltage — QuadConnect™		800F-BX10V
		N.C. low voltage — QuadConnect™		800F-BX01V
		N.O.E.M.		800F-BX10E
		N.C.L.B.		800F-BX01L
		N.O. spring-clamp		800F-BQ10
		N.C. spring-clamp		800F-BQ01
	Description	Volts	Pkg. Quantity	Cat. No.
 <p>Cat. No. 800F-BN3R</p>	<p>Base Mounted Integrated LED Module Base mounted modules can be used in plastic or metal enclosures. For best illumination results, LED should match lens color. Note: Sold in multiples of 10. Order (quantity of) 10 to receive one package of 10 pieces. Latch not included.</p>	24V AC/DC	10	* 800F-BN3x
		120V AC		* 800F-BN5x
		240V AC		* 800F-BN7x

* To complete the cat. no., replace the x with one of the following letters for the desired color: **Y** = Amber, **R** = Red, **G** = Green, **B** = Blue, **W** = White.

*† Cannot be used in a composite catalog number.

† Replacement screws are available (Cat. No. 800F-ARS1)



Specifications*

		Electrical Ratings
Contact ratings		Refer to the contact ratings tables on page 10-4.
Dielectric strength		2200V for one minute, 1300V for one minute (Logic Reed)
Electrical design life cycles		1 000 000 at max. rated load, 200 000 at max. rated load (Logic Reed)
		Mechanical Ratings
Vibration		10...2000 Hz, 1.52 mm displacement (peak-to-peak) max./ 10 G max. (except Logic Reed)
Shock		1/2 cycle sine wave for 11 ms ≥ 25 G (contact fragility) and no damage at 100 G
Degree of protection		Type 1/4/12/13 (800T); Type 1/4/4X/12/13 (800H); EN/IEC 60529 IP66/65
Mechanical design life cycles		
Push buttons	(Momentary, non-illuminated)	10 000 000 min.
	(Momentary, illuminated)	250 000 min.
	(Push-pull/twist-to-release)	250 000 min.
Selector switches	(Non-illuminated)	1 000 000 min.
	(Illuminated, key-operated)	200 000 min.
Potentiometers		25 000 min.
All other devices		200 000 min.
Contact operation		Shallow, mini, and low-voltage contact blocks: Slow, double make and break Logic Reed and sealed switch contact blocks: Single break magnetic
Wire gauge/Terminal screw torque		#18...14 AWG (#18...10 Max Duty) / 6...8 lb•in
Typical operating forces		
Operators without contact blocks		Flush, extended button, standard mushroom, jumbo plastic mushroom: 2 lbs max. Jumbo and extended aluminum mushroom head: 3.95 lbs max. Maintained selector switch: 3.6 in•lb max.
Spring return selector switches		3.6 in•lb to stop, 0.2 in•lb to return
Illuminated push buttons and push-to-test pilot lights		5 lb max.
2-position push-pull		8.0 lb max. push or pull
3-position push-pull		8 lb max. push to in position or pull to center position (15 lb max. pull to out position)
Twist-to-release or push-pull		9 lbs max. push or pull 30 in•oz max. twist, 6 in•oz minimum return
Potentiometer		Rotational torque 3...12 in•oz; stopping torque 12 in•lb (minimum)
Contact blocks	Standard	1 lb
	Logic Reed	1 lb max.
	Sealed switch	3 lb max. at 0.205 in. plunger travel
	Stackable sealed switch	1 lb max.
	MaxDuty	1.4 lb max.
	PenTUFF	1.4 lb max.
Self Monitoring		1.6 lb
		Environment
Temperature range	Operating	-40...+131 °F (-40...+55 °C)
	Storage	-40...+185 °F (-40...+85 °C)
Note: Operating temperatures below freezing are based on the absence of moisture and liquids. Consult your local Rockwell Automation sales office or Allen-Bradley distributor for use in lower temperature applications.		
Humidity		50...95% RH from 77...140 °F (25...60 °C) per Procedure IV of MIL-STD-810C, Method 507.1 cycling test

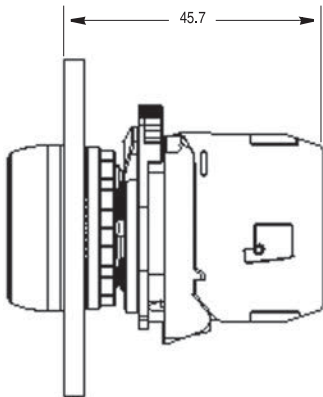
* Performance Data — See Important- 3.

22.5 mm Push Buttons

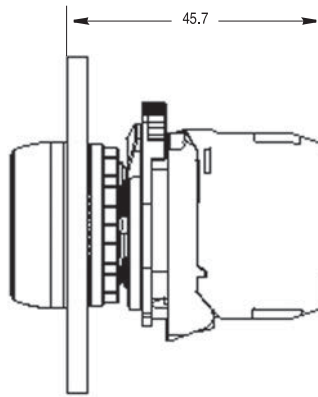
Approximate Dimensions

Dimensions in millimeters. Dimensions are not intended to be used for manufacturing purposes.

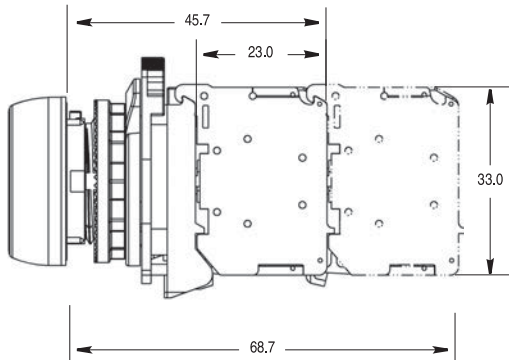
**Back-of-Panel Components —
Incandescent Module with Latch**



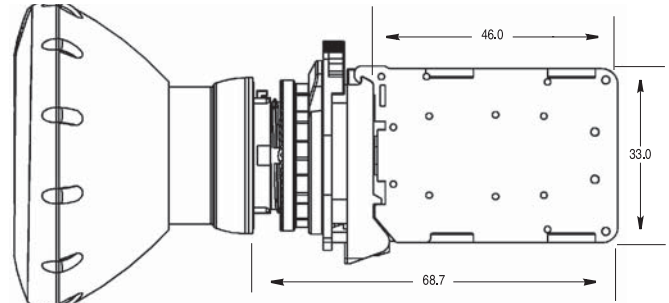
**Back-of-Panel Components —
LED Module with Latch**



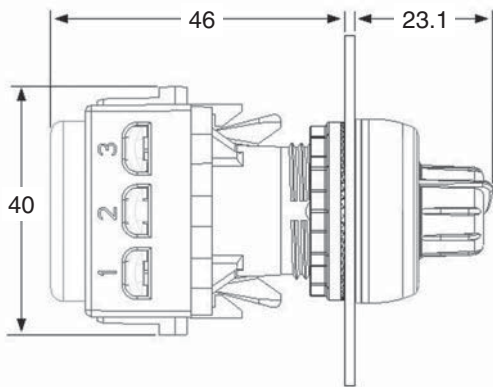
**Back-of-Panel Components —
Contact Cartridges with Latch**



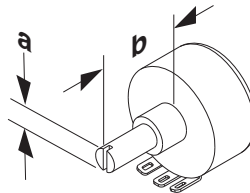
**Back-of-Panel Components —
Dual Circuit Contact Block or
Self Monitoring Contact Block
(Max. of 1 Deep)**



Potentiometer with Resistive Element



Customer Supplied Resistive Element

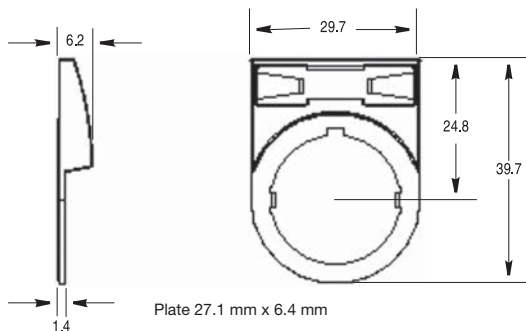


	Max.		Min.
a (Ø Dia.)	6.4 (0.252)	5.9 (0.232)	5.7 (0.224)
b (Length)	24 (0.945)	32 (1.26)	14 (0.551)

Dimensions in millimeters (inches).

10

30 x 40 mm Snap-In Legend Plate



30 x 50 mm Snap-In Legend Plate

