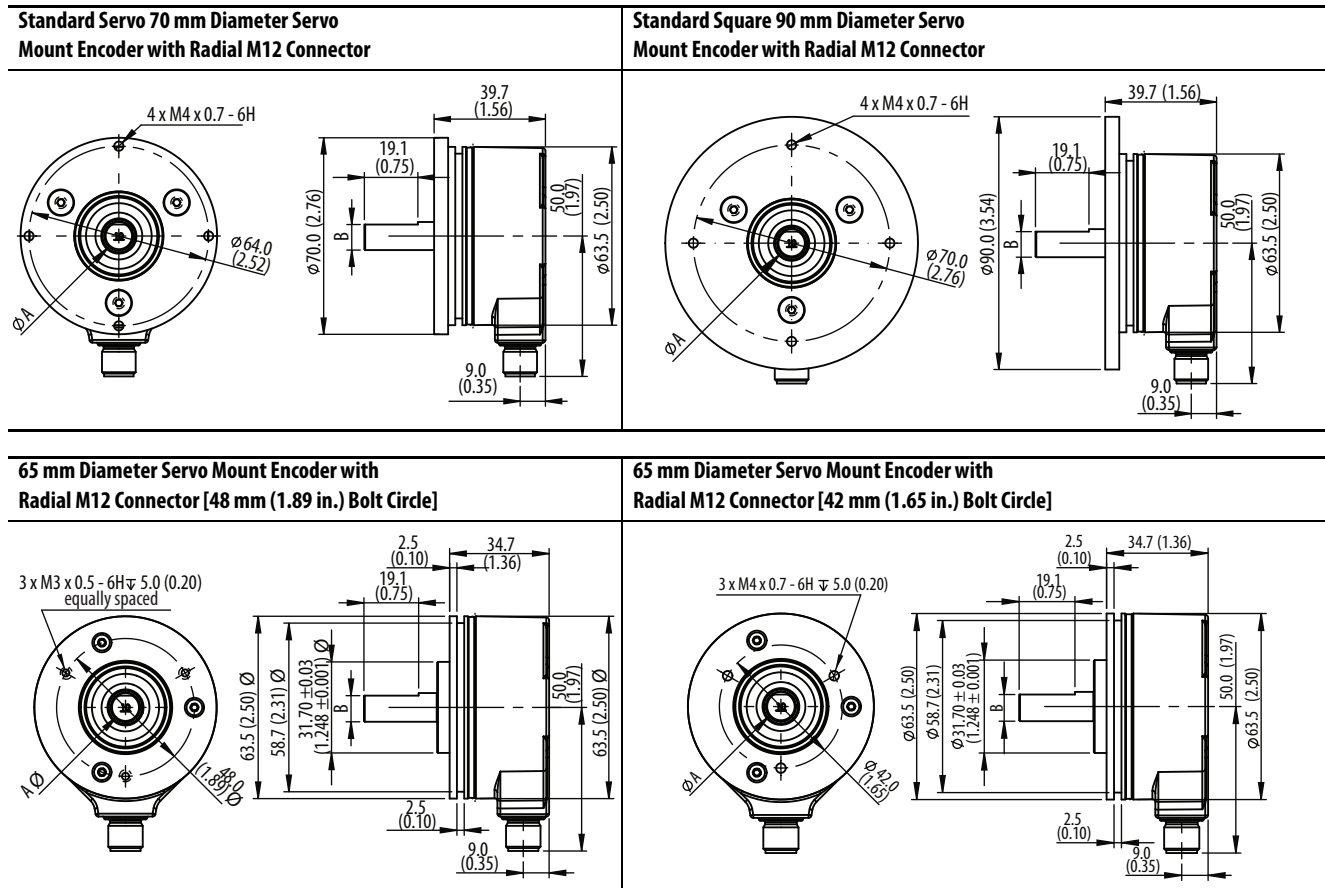


## 847H Incremental Encoders 2.5 in. Diameter Solid Shaft

### Approximate Dimensions

Dimensions are shown in mm (in.). Dimensions are not intended to be used for installation purposes.



### Accessories<sup>1</sup>

Description	Catalog Number	Description	Catalog Number
High-performance flexible coupling	845-FC	Mating connectors	845-6P
Measuring wheels	845-MW		845-7P
Servo clamps	845-SC		845-7P-RT
			845-10P
			845-10P-RT
Mounting plates	845-MB	Differential Encoder buffer board	845-BB
Prewired cables	845-CA	M12 cable	889D-F8FB <sup>2</sup>

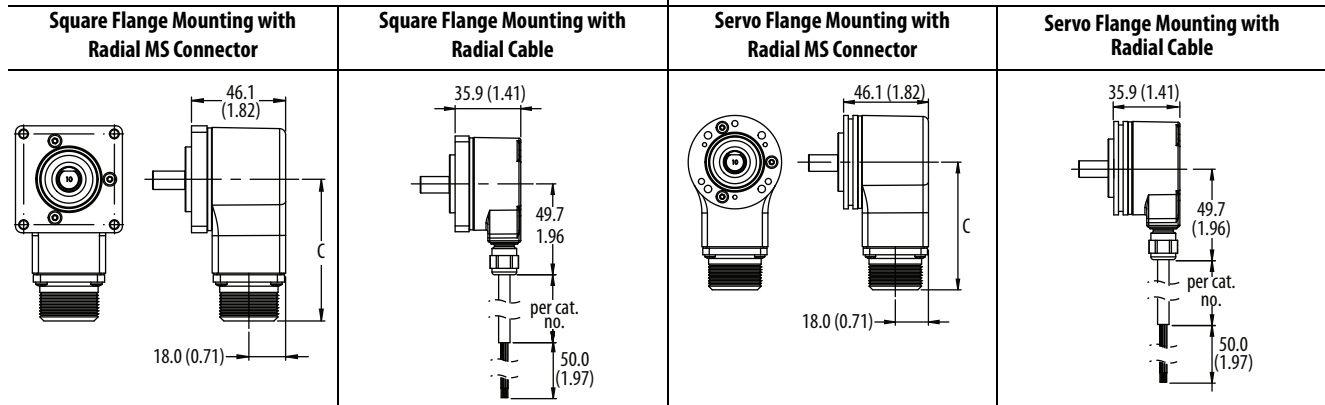
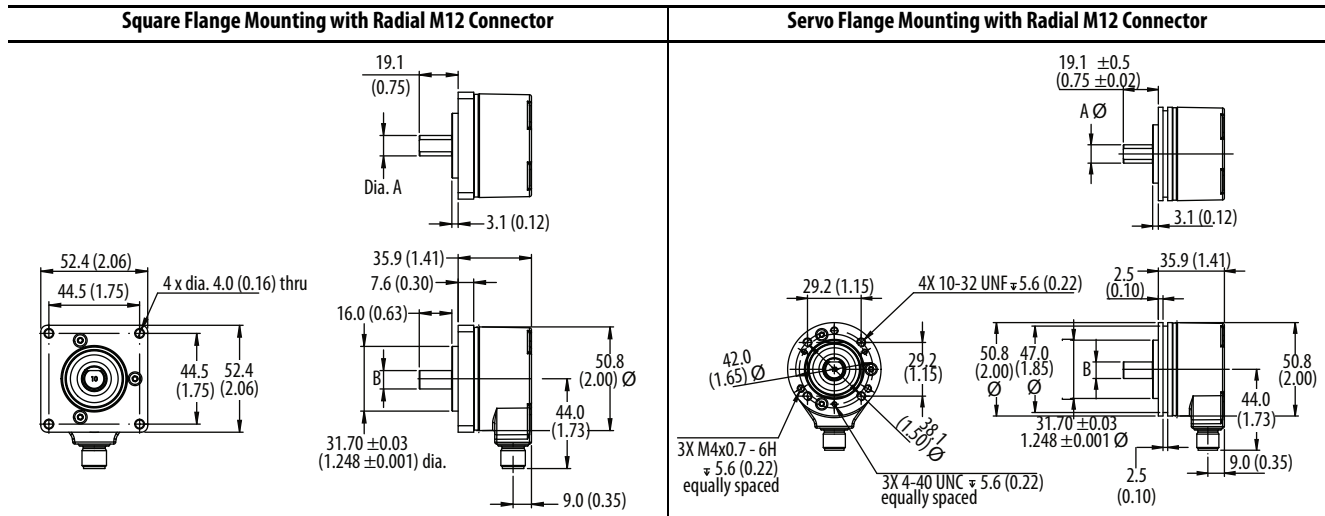
<sup>1</sup> For more accessory details, visit our website at <https://ab.rockwellautomation.com>

<sup>2</sup> Add 2, 5, or 10 to the end of the catalog number for cable lengths in meters.

## 847T Incremental Encoders 2 in. Diameter Solid Shaft

### Approximate Dimensions

Dimensions are shown in mm (in.). Dimensions are not intended to be used for installation purposes.



Shaft Options			MS Connector Options		Accessories <sup>1</sup>	
Nominal	Shaft Diameter A	Flat Dimension, B	Type	C	Description	Catalog Number
1/4 in.	6.327/6.312 (0.2491/0.2485)	5.5 (0.22)	6-pin	63.9 (2.52)	High-performance flexible coupling	845-FC
			7-pin	63.9 (2.52)		
3/8 in.	9.507/9.492 (0.3743/0.3737)	8.5 (0.33)	10-pin	69.4 (2.73)	Measuring wheels	845-MW
					Servo clamps	845-SC
6 mm	6.000/5.988 (0.2362/0.2357)	5.5 (0.22)	<b>Cable Options</b>		Mounting plates	845-MB
					1.5 m (4.9 ft)	Pre-wired cables
10 mm	9.977/9.962 (0.3928/0.3922)	9 (0.35)		5 m (16.4 ft)	Mating connectors	845-6P
				10 m (32.8 ft)		845-7P
						845-7P-RT
						845-10P
					845-10P-RT	
					M12 cable	889D-F8FB <sup>3</sup>

<sup>1</sup> For more accessory details, visit our website at <http://ab.rockwellautomation.com>

<sup>2</sup> Not available for PY mounting

<sup>3</sup> Add 2, 5, or 10 to the end of the catalog number for cable lengths in meters.