

# E-Strong Z Heavy duty emergency stop switches

ABB Jokab Safety's Heavy Duty Emergency Stop Switches are designed to provide robust Emergency Stop protection for exposed conveyors or machines.

Stainless Steel 316 housings (IP69K)

Conformance to ISO 13850, IEC 947-5-1 and IEC 947-5-5

A special lid safety trip mechanism means that the safety contacts will open if the lid is removed.

Button protection shroud version with Padlock holes for 'Lock off' during maintenance.

Optional 2 colour LED



Stainless steel



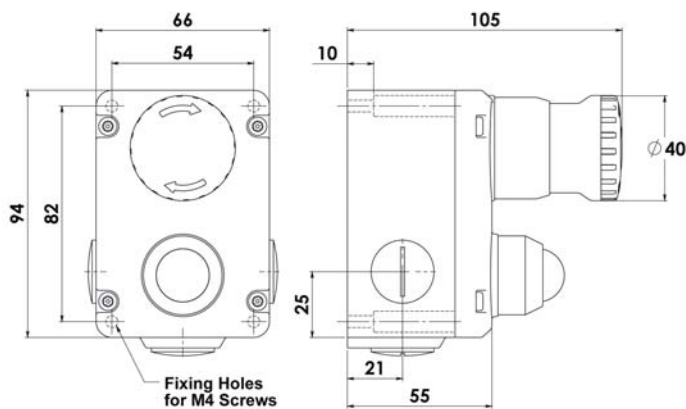
Stainless steel with protection shroud and padlock holes



Stainless steel with 2 color LED

## Estrong Z

2TLA050220R0020	EstrongZ E-Stop 2NC/2NO, M20, SS
2TLA050220R1020	EstrongZ E-Stop 2NC/2NO, NPT, SS
2TLA050220R0422	EstrongZ E-Stop 2NC/2NO, M20, SS Locked
2TLA050220R1422	EstrongZ E-Stop 2NC/2NO, NPT, SS Locked
2TLA050220R0222	EstrongZ E-Stop 2NC/2NO, M20, SS, LED 24VDC
2TLA050220R1222	EstrongZ E-Stop 2NC/2NO, NPT, SS, LED 24VDC
2TLA050220R0223	EstrongZ E-Stop 2NC/2NO, M20, SS, LED 110VAC
2TLA050220R1223	EstrongZ E-Stop 2NC/2NO, NPT, SS, LED 110VAC
2TLA050220R0224	EstrongZ E-Stop 2NC/2NO, M20, SS, LED 230VAC
2TLA050220R1224	EstrongZ E-Stop 2NC/2NO, NPT, SS, LED 230VAC



Fixing Holes for M4 Screws

Standards:	IEC 947-5-1	IEC947-5-5	EN954-1	EN62061
	UL508	ISO13850	ISO13849-1	

### Safety Classification and Reliability Data:

Mechanical Reliability B10d	1.5 x 10 <sup>6</sup> operations at 100mA load up to Category 4 with Safety Relay
EN 954-1	up to PLe depending upon system architecture
ISO 13849-1	up to SIL3 depending upon system architecture
EN 62061	8 cycles per hour / 24 hours per day / 365 days
Safety Data - Annual Usage PFHd	<1.0 x 10 <sup>-7</sup>
Proof Test Interval (Life)	21 years
MTTFd	214 years
Enclosure / Cover	Stainless Steel 316
IP Rating	IP67 IP69K
Mounting	4 x M5
Mounting position	Any
Conduit entries	3 x M20 or 3 x 1/2" NPT by part number
Torque settings	Mounting M5 4.0 Nm Lid T20 Torx M4 1.5 Nm Terminals 1.0 Nm
Ambient Temperature	-25C. 80 C.
Vibration resistance	10-500Hz 0.35mm
Shock resistance	15g 11ms
Weight	820 g.
Contact type	IEC 947-5-1 Double break Type Zb Snap Action up to 2NC (positive break) 2NO (Auxiliary)

Contact Material	Silver
Termination	Clamp up to 2.5 sq. mm conductors
Rating	Utilisation Category : AC15
Operational Rating	240V. 3A.
Thermal Current (Ith)	10A.
Rated Insulation Voltage (Ui)	500V.
Withstand Voltage (Uimp)	2500V.
Short Circuit Overload Protection	Fuse Externally 10A. (FF)