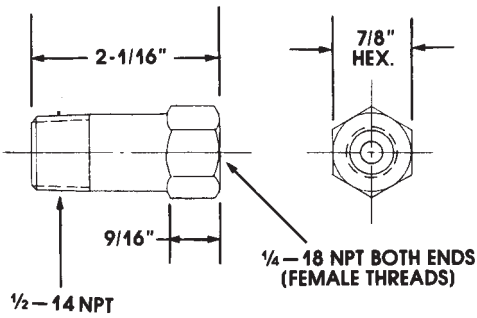


FLAME ARRESTOR

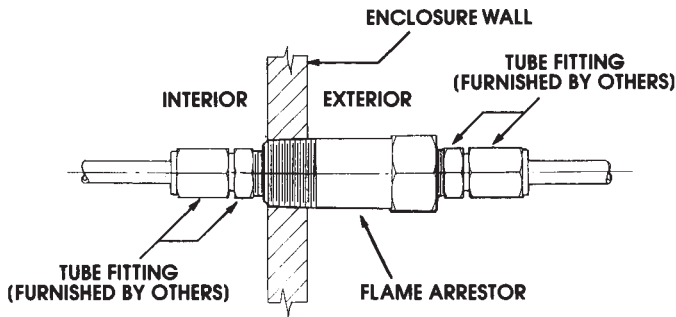
Flame Arrestor Fitting



XFA2



TYPICAL FIELD INSTALLATION



Exterior enclosure wall counter boring may be required to maintain 1/2" enclosure wall thickness for ease of field connections.

FEATURES

- Provides thru-wall connections of tubing systems for electro/pneumatic and gas analysis devices installed within Adalet's explosionproof enclosures.
- The flame arrestor fitting is designed to prevent flame propagation thru tubing systems with minimum flow restrictions of control pressures.
- Manufactured from stainless steel.
- Weight: 4 oz.

FLAME ARRESTORS

Catalog #	Thread	Control Restrictions
XFA2	1/2 NPT	0.5 PSI drop at 20 CFH airflow 1.3 PSI drop at 34 CFH airflow
XFAX2	1/2 NPT	1 PSI drop at 18 CFH airflow 5 PSI drop at 53 CFH airflow

EXPLOSIONPROOF
Operator Devices

Certifications

XFA2

Class I, Groups C & D

UL 886
CSA C22.2 No. 30



XFAX2*

Class I, Groups B, C & D
NEMA 7
0539 Ⓜ II 2 G
EEx d IIB

UL 886
CSA C22.2 No. 30
ATEX DIRECTIVE 94/9/EC



*ATEX APPLICATION NOTE: Maximum Enclosure Volume 41000 cm³ (2500 in³)