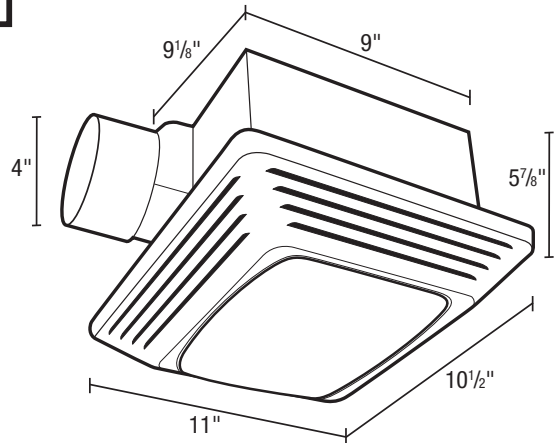




SPECIFICATIONS
ASLC90
 EXHAUST FAN WITH LIGHT

HVI 2100
 CERTIFIED **90 CFM/2.5 Sones @ 0.10" SP.**

- **Grill**
 White, polymeric grill secured in place via screw mounting through the light housing, dimensions - 11" x 10 1/2".
- **Light Lens**
 High impact polycarbonate lens, secured in position using integral tabs: easily removed if necessary.
- **Light Housing**
 Heavy gauge cold rolled steel c/w baked enamel finish; locks in place on the grill via two integral tabs.
- **Blower Wheel**
 One piece polymeric wheel, 4 1/2" diameter, 1" wide, with 10 fins.
- **Motor**
 PSC, plug-in, 4 pole motor, life time lubrication, thermally protected. Rated 120 volts, 60 Hz..
- **Fan Housing**
 23 ga. Galvanized metal housing, dimensions 9 1/8" x 9" x 5 7/8", double metal thickness mounting tabs.
- **Duct Collar**
 Plastic collar for 4" duct connection, comes complete with built in non-metallic back draft damper for quiet operation.
- **Ventilating Area**
 For bathrooms up to 80 sq. ft. for other rooms up to 110 sq. ft.
- **Lighting**
 26W medium base fluorescent lamp (100W type A19 incandescent bulb can also be used) (lamps not included)



Acceptable for use over tub or shower when installed in a GFCI protected branch circuit.



- **Unit Mounting**
 Rated Type IC for ceilings insulated to R-40. Designed to mount in ceilings with at least 6" of clearance. The unit will mount using the supplied mounting bars with a rough in opening of 9 1/4" x 9 3/8". The housing will mount through drywall thickness up to 3/4".
- **Single Pack Shipping Info**
 Box Dim: 11 1/2" x 13 1/4" x 9 1/2"
 Shipping Weight: 6 lbs.

| EXPANDED PERFORMANCE | | | | | | | | | | | |
|-----------------------------|---|------|-----|-------|------|-----|------|----------------------|----------------------|--------------------------|-------------|
| | <i>Static Pressure (inches of w.g.)</i> | | | | | | | <i>Sones @ .1 SP</i> | <i>Fan Speed RPM</i> | <i>Maximum Fan Watts</i> | <i>Amps</i> |
| | 0 | 0.05 | 0.1 | 0.125 | 0.15 | 0.2 | 0.25 | | | | |
| Air Flow - CFM | 100 | 94 | 90 | 87 | 84 | 78 | 71 | 2.5 | 1500 | 44 | 0.5 |

| PROJECT | | | | | | | ARCHITECT | | | | |
|-------------------|--------------|-----|---------|-----|-------|------|---------------------|-----|------------------------------|-------------|--|
| LOCATION | | | | | | | ENGINEER | | | | |
| CONTRACTOR | | | | | | | SUBMITTED BY | | | DATE | |
| FAN NUMBER | MODEL NUMBER | CFM | IN W.G. | RPM | WATTS | AMPS | SONES | QTY | OPTIONAL EQUIPMENT & REMARKS | | |
| | | | | | | | | | | | |



Air King: 820 Lincoln Avenue
 West Chester, Pennsylvania 19380-4466
 Tel: (610) 692-7400 • 877-304-3785
 Fax: (610) 696-8048