

AMERICAN FITTINGS Corporation



Made in the USA Since 1946

LIQUID TIGHT CONNECTORS
Non-Metallic Liquid Tight Connectors Conduit
Size Range: 3/8" to 2"

Non-Metallic Liquid Tight Connectors For Use with Type B Non-metallic Liquid Tight Conduit

- For use in wet or dry locations where fittings are not subject to harsh physical conditions
- Compact & sturdy PVC fitting furnished with steel locknut and sealing gasket
- NPT Thread
- Corrosion resistant
- Protection from liquid, rain, & oils
- Smooth interior to speed installation and eliminate friction

Straight Connectors

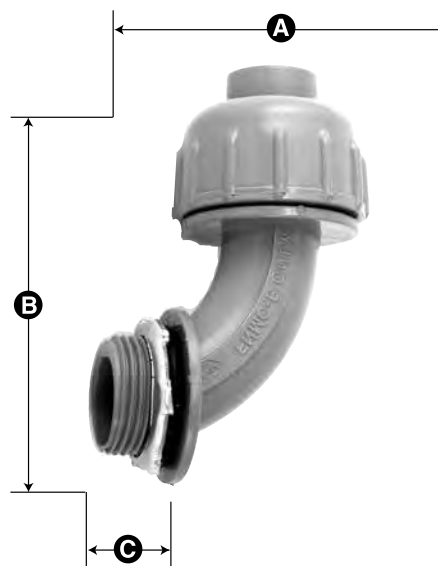
Cat. #	Size	Unit Ctn	Std Pkg	WT/ 100
NML38	3/8"	25	125	9
NML50	1/2" 2	5	125	8
NML75	3/4"	10	50	10
NML100	1"	10	50	14
NML125	1-1/4"	5	5	20
NML150	1-1/2"	4	20	26
NML200	2"	2	10	45

Dimensional Table

Cat. #	A	B	C
NML3890	2.56	2.14	1.09
NML5090	2.56	2.14	1.09
NML7590	2.84	2.38	1.30
NML10090	3.25	2.81	1.50
NML12590	3.96	3.36	2.40
NML15090	4.13	3.45	2.68
NML20090	4.68	4.04	3.35

90° Connectors

Cat. #	Size	Unit Ctn	Std Pkg	WT/ 100
NML3890	3/8"	10	50	9
NML5090	1/2"	10	50	8
NML7590	3/4"	10	50	12
NML10090	1"	5	25	18
NML12590	1-1/4"	2	10	37
NML15090	1-1/2"	2	10	39
NML20090	2"	1	5	70



Dimensional Table

Cat. #	A Diameter	B Overall Length	C Length of Thread
NML38	1.12	2.10	.45
NML50	1.12	2.10	.45
NML75	1.30	2.20	.47
NML100	1.60	2.30	.57
NML125	2.40	2.40	.57
NML150	2.60	2.75	.57
NML200	3.30	3.10	.67