

Conduit Outlet Boxes and Bodies: Malleable Iron or Aluminum; Explosionproof, Dust-Ignitionproof

UNILETS® for use with Threaded Metal Conduit.

Applications

- Meet a wide range of classified area requirements.
- Corrosion-resistant—ideal indoors or out.
- For pulling of wires.
- Connect conduit lengths and change direction of conduit.
- Provide access for maintenance.

Features: All Bodies and Boxes

- Malleable iron bodies have high tensile strength and ductility. Provides great resistance to corrosion, impact, and shock.
- Accurately tapped, tapered hub threads for tight, rigid joints and ground continuity.
- Furnished with covers.
- General purpose wiring.

Features: GR and GRF

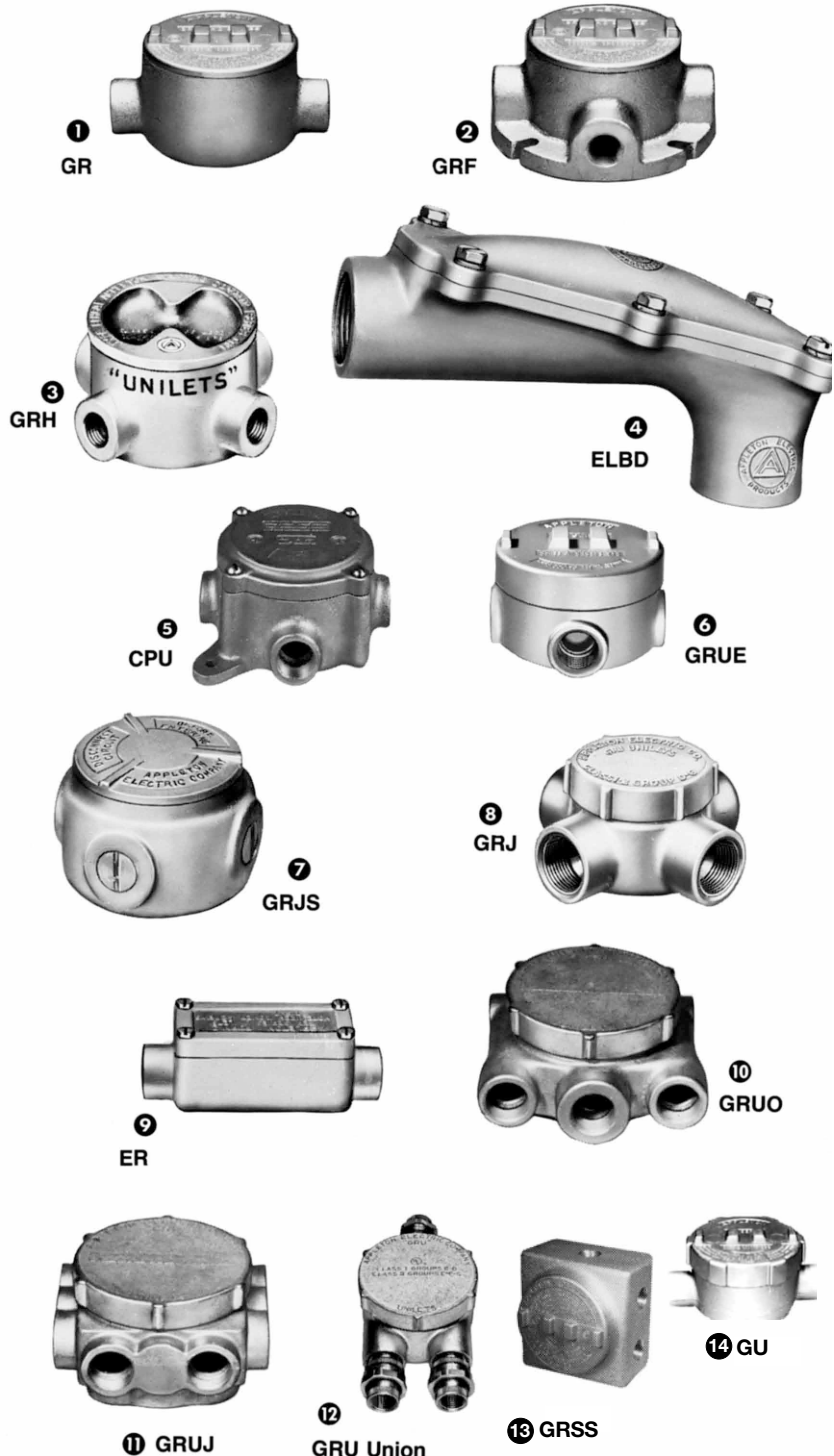
- ① GR offers ten hub arrangements.
- ② GRF has integral mounting flange.
- Function as sealing fittings when used with sealing covers (see NEC for restrictions).
- Internally threaded body with externally threaded cover.
- Covers have pry notches for bar or wrench.
- Accommodate sealing, dome, hub and union hub covers, and canopies.
- Standard O-rings provide raintight fit. NEMA 3,4.
- Internal ground screw standard.
- Smooth, rounded integral bushing in each hub type box protects conductor insulation.

Features: GRH

- ③ Designed for use in Class I, Groups A, B, C, and D; Class II, Groups E, F, and G; and Class III.
- Internally threaded body with externally threaded covers.
- Standard O-rings provide raintight fit. NEMA 3,4.
- Internal ground screw standard.
- Smooth, rounded integral bushing in each hub type box protects conductor insulation.

Features: ELBD

- ④ Exclusive built-in pulling rollers in each end (2-1/2 thru 4" sizes) protect cable from damage and make cable pulling easier.



Conduit Outlet Boxes and Bodies: Malleable Iron or Aluminum; Explosionproof, Dust-Ignitionproof

UNILETS® for use with Threaded Metal Conduit.

- Excellent for use in wiring of motors, panelboards, circuit breakers, entrances to buildings, etc.

- Body and cover have ground mating surfaces to meet classified-location requirements.

- Smooth, rounded integral bushing in each hub type box protects conductor insulation.

Features: ELBY

- Serve as pulling fittings.
- Make 90° bends in conduit.
- Threaded cover opening permits easy access for pulling conductors thru hubs.
- Easily removable threaded cover.

Features: CPU

- ⑤ Universal design with four threaded universal hubs and three close-up plugs.

- Serve as mounting outlets for lighting fixtures when used with hub cover.

- Wide, accurately ground explosion-proof mating surfaces.

- Smooth, rounded integral bushing in each hub type box protects conductor insulation.

Features: GRU and GRUE

- ⑥ Universal design with five threaded universal hubs and three close-up plugs.

- Copper-free aluminum body and cover provide resistance to corrosive atmospheres.

- Function as sealing fittings when used with sealing covers (see NEC for restrictions).

- GRU has internally threaded body and externally threaded cover. GRUE has externally threaded body and internally threaded overlapping cover.

- Standard O-Rings provide raintight fit. NEMA 3,4.

- Covers have pry notches for bar or wrench.

- Smooth, rounded integral bushing in each hub type box protects conductor insulation.

Features: GRJS

- ⑦ Universal design with five threaded openings and three close-up plugs.

- Compact round box for use where space is limited.

- Serve as mounting means for lighting fixtures when used with hub cover.

- Function as sealing fittings when used with sealing covers (see NEC for restrictions).

- Internally threaded body with externally threaded cover.

- Smooth, rounded integral bushing in each hub type box protects conductor insulation.

Features: GRJ

- ⑧ Small, round conduit outlet boxes.

- Function as sealing fittings when used with sealing covers (see NEC for restrictions).

- Externally threaded body with internally threaded cover.

- Smooth, rounded integral bushing in each hub type box protects conductor insulation.

Features: ER

- ⑨ Compact, rectangular conduit outlet boxes are ideal in classified locations where space is limited.

- Six different hub arrangements.

- Ground surface contact between body and cover assures a flame-tight joint.

- Smooth, rounded integral bushing in each hub type box protects conductor insulation.

Features: GRUO and GRUJ

- Threaded universal hubs for wiring flexibility.

- ⑩ GRUO has eight hubs.

- ⑪ GRUJ offers up to eleven hubs.

- Ideally suited for use where space is limited, such as for gasoline pumps.

- Function as sealing fittings when used with sealing cover (see NEC for restrictions).

- Externally threaded body with internally threaded covers.

- Smooth, rounded integral bushing in each hub type box protects conductor insulation.

Features: GRU (Union Hubs)

- ⑫ Union hubs permit easy wiring.

- Function as sealing fittings when used with sealing covers (see NEC for restrictions).

- Externally threaded body with internally threaded cover.

- Smooth, rounded integral bushing in each hub type box protects conductor insulation.

Features: GRSS and GRSSA

- ⑬ Multiple hubs permit flexibility.

- Copper-free aluminum body and cover provide superior corrosion resistance.

- Internal ground screw standard.

Features: GU

- ⑭ Designed for Class I, Groups B,C,D; Class II, Groups E,F,G; and Class III.

- Externally threaded body with internally threaded cover.

- Smooth, rounded integral bushing in each hub type box protects conductor insulation.

- Internal ground screw standard.

Standard Materials

- *GR, GRF, GRH, and GRJS:* Malleable iron bodies with aluminum covers.

- *Aluminum GR Series:* Copper-free body and cover.

- *GU, GRUO, GRUJ, GRU (Union), GRJ, CPU, ER, ELBD and ELBY:* Malleable iron bodies and covers.

- *GRU, GRUE, and GRSS:* Aluminum copper-free bodies and covers.

- *GRG O-Rings:* Neoprene.

Standard Finishes

- *Malleable iron bodies and covers (except ELBY) triple-coat—*(1)zinc electroplate, (2) dichromate, and (3) epoxy powder coat.

- *Aluminum bodies and covers:* epoxy powder coat.

- *ELBY malleable iron body and cover:* zinc electroplate and clear chromate.

Options

- PVC available—consult factory.

Compliances

- UL Standard 886.

- Federal Spec. W-C-586B.

- Appleton malleable iron products conform to ASTM A47-77, Grade 32510, which has the following properties: tensile strength, 50,000 psi; yield, 32,000 psi; and elongation, 10%.

- Appleton aluminum products are produced from a high strength copper-free (4/10 of 1% max.) alloy.

- Suitable for Class I, Div. 1 & 2, if installed in compliance with NEC 501-4(a)(b) and for Class II, Div. 1 & 2, if in compliance with NEC 502-4(a)(b).


- *GR Series:* CSA -LR25875-30.


ELBY Series:
 Class I, Div. 1 and 2
 Groups B, C, D
 Class II, Div. 1 and 2
 Groups E, F, G
 Class III

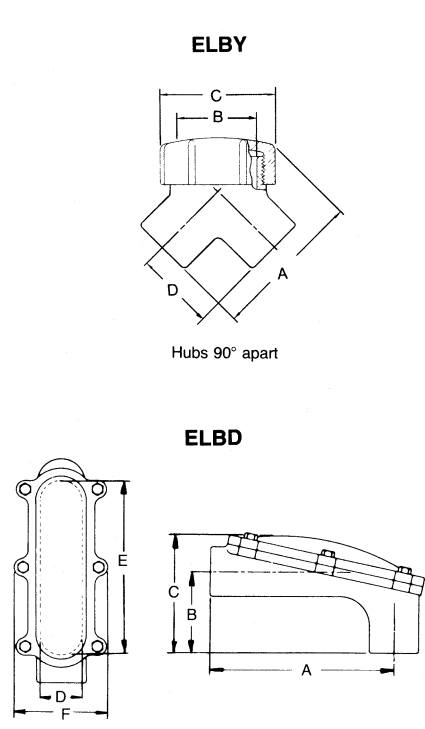
ELBD Series:
 Class I, Div. 1 and 2
 Group D
 Class II, Div. 1 and 2
 Groups E, F, G
 Class III

ELBY and ELBD 90° Pulling Elbows: Explosionproof, Dust-Ignitionproof

UNILETS® for use with Threaded Metal Conduit.

	Type and Size (Inches)	Catalog Number	
		Malleable Iron	Aluminum
	ELBY Capped Elbow		
	1/2	ELBY-50 ELBY-75 ELBY-100 ELBY-125	ELBY-50-A
	3/4		ELBY-75-A
	1		ELBY-100-A
	1-1/4		ELBY-125-A

	ELBD Pulling Elbow			
	1/2	ELBD-50	ELBD-50-A	
	3/4	ELBD-75	ELBD-75-A	
	1	ELBD-100	ELBD-100-A	
	1-1/4	ELBD-125	ELBD-125-A	
	1-1/2	ELBD-150	ELBD-150-A	
	2	ELBD-200	ELBD-200-A	
	2-1/2	Patented Roller Feature—	ELBD-250	ELBD-250-A
	3	Listings in Bold Type	ELBD-300	ELBD-300-A
	3-1/2		ELBD-350	ELBD-350-A
4		ELBD-400	ELBD-400-A	



ELBY Series Dimensions in Inches					ELBD Series Dimensions in Inches					
Hub Size (Inches)	A	B	C	D	A	B	C	D	E	F
1/2	2.75	1.44	2.06	1.44	5.06	2.63	4.50	1.06	4.69	2.69
3/4	2.88	1.44	2.06	1.44	5.06	2.63	4.50	1.06	4.69	2.69
1	3.19	1.88	2.56	1.75	7.88	3.44	5.00	1.75	7.50	3.94
1-1/4	4.00	2.31	3.13	2.13	7.88	3.44	5.00	1.75	7.50	3.94
1-1/2					10.63	4.81	6.75	2.56	10.69	4.94
2					10.63	4.81	6.75	2.56	10.69	4.94
2-1/2					14.69	6.63	9.25	3.75	13.81	6.69
3					14.69	6.63	9.25	3.75	13.81	6.69
3-1/2					28.25	7.50	12.75	4.63	27.56	7.38
4					28.25	7.50	12.75	4.63	27.56	7.38

Dimensions in Centimeters					Dimensions in Centimeters					
Hub Size (Inches)	A	B	C	D	A	B	C	D	E	F
1/2	7.0	3.7	5.2	3.7	12.9	6.7	11.4	2.7	11.9	6.8
3/4	7.3	3.7	5.2	3.7	12.9	6.7	11.4	2.7	11.9	6.8
1	8.1	4.8	6.5	4.5	20.0	8.7	12.7	4.5	19.1	10.0
1-1/4	10.2	5.9	7.9	5.4	20.0	8.7	12.7	4.5	19.1	10.0
1-1/2					27.0	12.2	17.2	6.5	27.2	12.5
2					27.0	12.2	17.2	6.5	27.2	12.5
2-1/2					37.3	16.8	23.5	9.5	35.1	17.0
3					37.3	16.8	23.5	9.5	35.1	17.0
3-1/2					71.4	19.1	32.4	11.8	70.0	18.7
4					71.4	19.1	32.4	11.8	70.0	18.7

For cubic inches information, see page J-19

◆ Shaded area indicates items suitable for Class I, Group B, in addition to Class I, Groups C, D; Class II, Groups E, F, G; and Class III.

Wiring Capacity: Explosionproof Conduit Outlet Boxes



Volume in Cubic Inches and Cubic Centimeters

Wiring Capacity

Type	Size	Vol./cu. in.	Vol./cu. cm
CPU	Form 20	21.0	344.1
ER	1/2"	4.8	78.7
ER	3/4"	7.3	119.3
GR	Form 1	18.0	295.0
GR	Form 2	31.0	508.0
GR	Form 3 (1-1/2")	72.0	1179.9
GR	Form 3 (2")	76.0	1245.4
GRF	All	18.0	295.0
GRH	All	13.8	226.2
GRJ	All	7.3	119.3
GRJS	All	12.5	204.8
GRK (Canopy)-	-50C, -75C, -100C	16.0	262.2
GRK (Dome)	1DC	6.0	98.3
GRU (Union Hubs)	1/2", 3/4"	19.0	311.4
GRU (Universal)	1/2", 3/4"	13.5	221.2
	1"	17.5	286.8
GRUE	1/2", 3/4"	15.3	250.7
	1"	18.5	303.2
GRUJ	All	25.0	409.7
GRUO	All	25.0	409.7
GRSS	All	29.0	475.2
GRSSA	All	29.0	475.2
GU	All	19.0	311.4

ELBD 90° Pulling Unilets

Size	1/2	3/4	1	1-1/4	1-1/2	2	2-1/2	3	3-1/2	4
Capacity in Cubic Inches										
ELBD	7.0	7.0	25.0	25.0	69.0	69.0	240.0	240.0	540.0	540.0
Capacity in Cubic Centimeters										
ELBD	114.7	114.7	409.7	409.7	1130.7	1130.7	3932.9	3932.9	8849.0	8849.0

