

Conduit Outlet Boxes and Bodies: Malleable Iron or Aluminum; Explosionproof, Dust-Ignitionproof

UNILETS® for use with Threaded Metal Conduit.

Applications

- Meet a wide range of classified area requirements.
- Corrosion-resistant—ideal indoors or out.
- For pulling of wires.
- Connect conduit lengths and change direction of conduit.
- Provide access for maintenance.

Features: All Bodies and Boxes

- Malleable iron bodies have high tensile strength and ductility. Provides great resistance to corrosion, impact, and shock.
- Accurately tapped, tapered hub threads for tight, rigid joints and ground continuity.
- Furnished with covers.
- General purpose wiring.

Features: GR and GRF

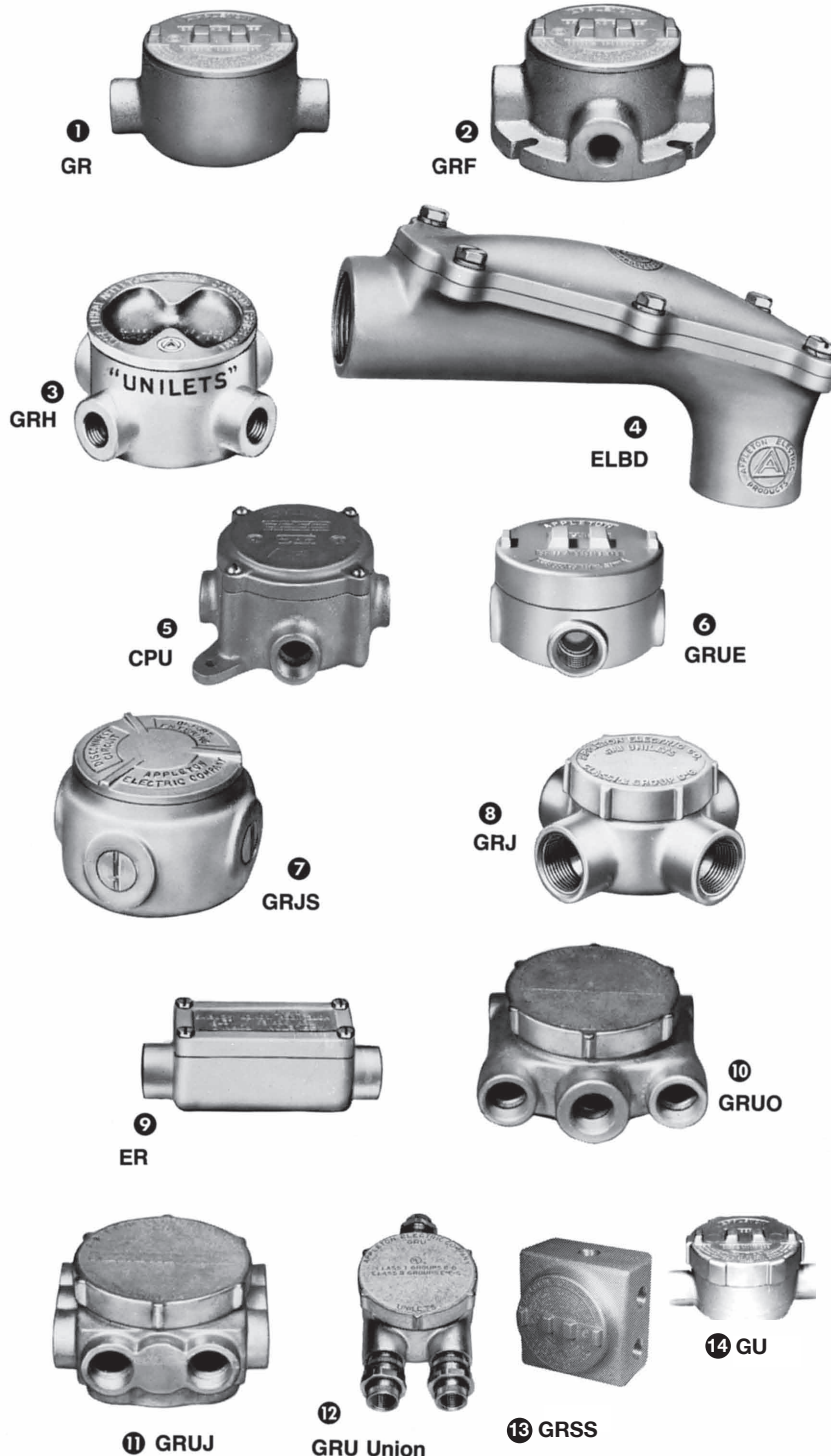
- ①GR offers ten hub arrangements.
- ②GRF has integral mounting flange.
- Function as sealing fittings when used with sealing covers (see NEC for restrictions).
- Internally threaded body with externally threaded cover.
- Covers have pry notches for bar or wrench.
- Accommodate sealing, dome, hub and union hub covers, and canopies.
- Standard O-rings provide raintight fit. NEMA 3,4.
- Internal ground screw standard.
- Smooth, rounded integral bushing in each hub type box protects conductor insulation.

Features: GRH

- ③Designed for use in Class I, Groups A, B, C, and D; Class II, Groups E, F, and G; and Class III.
- Internally threaded body with externally threaded covers.
- Standard O-rings provide raintight fit. NEMA 3,4.
- Internal ground screw standard.
- Smooth, rounded integral bushing in each hub type box protects conductor insulation.

Features: ELBD

- ④Exclusive built-in pulling rollers in each end (2-1/2 thru 4" sizes) protect cable from damage and make cable pulling easier.



Conduit Outlet Boxes and Bodies: Malleable Iron or Aluminum; Explosionproof, Dust-Ignitionproof

UNILETS® for use with Threaded Metal Conduit.

- Excellent for use in wiring of motors, panelboards, circuit breakers, entrances to buildings, etc.
- Body and cover have ground mating surfaces to meet classified-location requirements.
- Smooth, rounded integral bushing in each hub type box protects conductor insulation.

Features: ELBY

- Serve as pulling fittings.
- Make 90° bends in conduit.
- Threaded cover opening permits easy access for pulling conductors thru hubs.
- Easily removable threaded cover.

Features: CPU

- ⑤ Universal design with four threaded universal hubs and three close-up plugs.
- Serve as mounting outlets for lighting fixtures when used with hub cover.
- Wide, accurately ground explosion-proof mating surfaces.
- Smooth, rounded integral bushing in each hub type box protects conductor insulation.

Features: GRU and GRUE

- ⑥ Universal design with five threaded universal hubs and three close-up plugs.
- Copper-free aluminum body and cover provide resistance to corrosive atmospheres.
- Function as sealing fittings when used with sealing covers (see NEC for restrictions).
- GRU has internally threaded body and externally threaded cover. GRUE has externally threaded body and internally threaded overlapping cover.
- Standard O-Rings provide raintight fit. NEMA 3,4.
- Covers have pry notches for bar or wrench.
- Smooth, rounded integral bushing in each hub type box protects conductor insulation.

Features: GRJS

- ⑦ Universal design with five threaded openings and three close-up plugs.
- Compact round box for use where space is limited.
- Serve as mounting means for lighting fixtures when used with hub cover.

- Function as sealing fittings when used with sealing covers (see NEC for restrictions).
- Internally threaded body with externally threaded cover.
- Smooth, rounded integral bushing in each hub type box protects conductor insulation.

Features: GRJ

- ⑧ Small, round conduit outlet boxes.
- Function as sealing fittings when used with sealing covers (see NEC for restrictions).
- Externally threaded body with internally threaded cover.
- Smooth, rounded integral bushing in each hub type box protects conductor insulation.

Features: ER

- ⑨ Compact, rectangular conduit outlet boxes are ideal in classified locations where space is limited.
- Six different hub arrangements.
- Ground surface contact between body and cover assures a flame-tight joint.
- Smooth, rounded integral bushing in each hub type box protects conductor insulation.

Features: GRUO and GRUJ

- Threaded universal hubs for wiring flexibility.
- ⑩ GRUO has eight hubs.
- ⑪ GRUJ offers up to eleven hubs.
- Ideally suited for use where space is limited, such as for gasoline pumps.
- Function as sealing fittings when used with sealing cover (see NEC for restrictions).
- Externally threaded body with internally threaded covers.
- Smooth, rounded integral bushing in each hub type box protects conductor insulation.

Features: GRU (Union Hubs)

- ⑫ Union hubs permit easy wiring.
- Function as sealing fittings when used with sealing covers (see NEC for restrictions).
- Externally threaded body with internally threaded cover.
- Smooth, rounded integral bushing in each hub type box protects conductor insulation.

Features: GRSS and GRSSA

- ⑬ Multiple hubs permit flexibility.
- Copper-free aluminum body and cover provide superior corrosion resistance.
- Internal ground screw standard.

Features: GU

- ⑭ Designed for Class I, Groups B,C,D; Class II, Groups E,F,G; and Class III.
- Externally threaded body with internally threaded cover.
- Smooth, rounded integral bushing in each hub type box protects conductor insulation.
- Internal ground screw standard.

Standard Materials

- *GR, GRF, GRH, and GRJS:* Malleable iron bodies with aluminum covers.
- *Aluminum GR Series:* Copper-free body and cover.
- *GU, GRUO, GRUJ, GRU (Union), GRJ, CPU, ER, ELBD and ELBY:* Malleable iron bodies and covers.
- *GRU, GRUE, and GRSS:* Aluminum copper-free bodies and covers.
- *GRG O-Rings:* Neoprene.

Standard Finishes

- *Malleable iron bodies and covers (except ELBY) triple-coat—*(1)zinc electroplate, (2) dichromate, and (3) epoxy powder coat.
- *Aluminum bodies and covers:* epoxy powder coat.
- *ELBY malleable iron body and cover:* zinc electroplate and clear chromate.

Options

- PVC available—consult factory.

Compliances

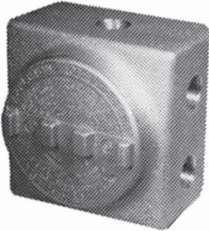
- UL Standard 886.
- Federal Spec. W-C-586B.
- Appleton malleable iron products conform to ASTM A47-77, Grade 32510, which has the following properties: tensile strength, 50,000 psi; yield, 32,000 psi; and elongation, 10%.
- Appleton aluminum products are produced from a high strength copper-free (4/10 of 1% max.) alloy.
- Suitable for Class I, Div. 1 & 2, if installed in compliance with NEC 501-4(a)(b) and for Class II, Div. 1 & 2, if in compliance with NEC 502-4(a)(b).
- *GR Series:* CSA -LR25875-30.

J-10

Class I, Div. 1 and 2
Groups B*,C,D
Class II, Div. 1 and 2
Groups E,F,G
Class III

GRSS Conduit Outlet Boxes with Multiple Hubs: Explosionproof, Dust-Ignitionproof

UNILETS® for use with Threaded Metal Conduit.
Furnished with internal ground screw and O ring gasket.



GRSS Outlet Box with Cover

Internally threaded aluminum bodies with externally threaded aluminum form 1 covers. Has 7 hubs; 2 on each of the sides, 1 on the top, 1 on the bottom and 1 on the center in the back. Furnished with 4 close-up plugs.

GRSS	Conduit Size (In.)	Cover Opening (Inches)	Hubs	Plugs	Catalog Number* Aluminum
	1/2	3.38	7	4	GRSS50
	3/4	3.38	7	4	GRSS75
	1	3.38	7	4	GRSS100

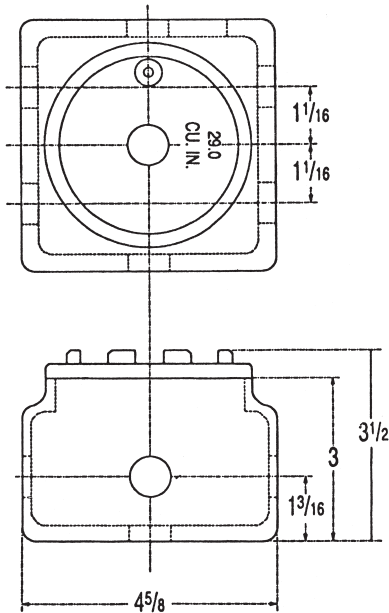


GRSSA Outlet Box with Cover

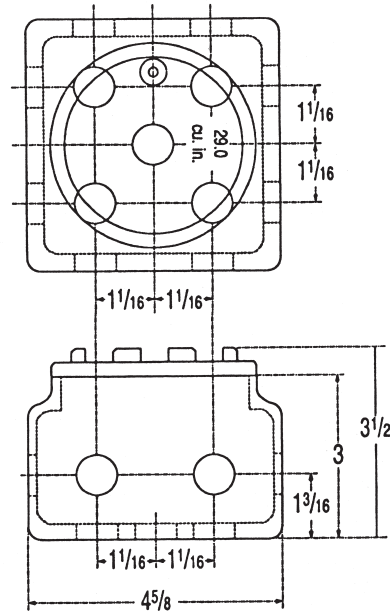
Internally threaded aluminum bodies with externally threaded aluminum form 1 covers. Has 13 hubs; 2 on each side, 2 each on top and bottom and 5 in the back. Furnished with 5 close-up plugs.

GRSSA	Conduit Size (In.)	Cover Opening (Inches)	Hubs	Plugs	Catalog Number* Aluminum
	1/2	3.38	13	5	GRSSA50
	3/4	3.38	13	5	GRSSA75

Dimensions



GRSS



GRSSA

For larger size boxes, refer to Catalog Section K.
For cubic inches information, see page J-19

* In Group "B" atmospheres, all conduit runs must have a sealing fitting (not supplied) field installed adjacent to the enclosure.

Wiring Capacity: Explosionproof Conduit Outlet Boxes



Volume in Cubic Inches and Cubic Centimeters

Wiring Capacity

Type	Size	Vol./cu. in.	Vol./cu. cm
CPU	Form 20	21.0	344.1
ER	1/2"	4.8	78.7
ER	3/4"	7.3	119.3
GR	Form 1	18.0	295.0
GR	Form 2	31.0	508.0
GR	Form 3 (1-1/2")	72.0	1179.9
GR	Form 3 (2")	76.0	1245.4
GRF	All	18.0	295.0
GRH	All	13.8	226.2
GRJ	All	7.3	119.3
GRJS	All	12.5	204.8
GRK (Canopy)-	-50C, -75C, -100C	16.0	262.2
GRK (Dome)	1DC	6.0	98.3
GRU (Union Hubs)	1/2", 3/4"	19.0	311.4
GRU (Universal)	1/2", 3/4"	13.5	221.2
	1"	17.5	286.8
GRUE	1/2", 3/4"	15.3	250.7
	1"	18.5	303.2
GRUJ	All	25.0	409.7
GRUO	All	25.0	409.7
GRSS	All	29.0	475.2
GRSSA	All	29.0	475.2
GU	All	19.0	311.4

ELBD 90° Pulling Unilets

Size	1/2	3/4	1	1-1/4	1-1/2	2	2-1/2	3	3-1/2	4
Capacity in Cubic Inches										
ELBD	7.0	7.0	25.0	25.0	69.0	69.0	240.0	240.0	540.0	540.0
Capacity in Cubic Centimeters										
ELBD	114.7	114.7	409.7	409.7	1130.7	1130.7	3932.9	3932.9	8849.0	8849.0

