

4" Vertical CFL Open & Wall Wash Downlight

D432EB

One 26W or 32W Triple.
120V - 277V, 347V

Featuring VirtualSource vs Reflectors

APPLICATIONS:

The Architektür D4 offers a vertical, nominal 4" specification-grade compact fluorescent downlight and wall wash fixture that provides superior brightness control. This luminaire is ideal for a wide variety of low to medium ceiling height applications including commercial, retail, and hospitality.

HOUSING:

One-piece, 18-gauge post-painted CRS platform. Large plaster frame provides superior housing stability in the ceiling. Same housing accommodates downlight and wall wash reflectors. Prewired J-box with snap-on cover for easy access. J-box is elevated and angled 15° to provide 95% visibility from below the ceiling after installation for easy maintenance.

REFLECTOR:

High purity aluminum reflector with iridescence suppressed Alzak finish. Open trims retained with 5-finger grip clip. Wall wash trims retained with integral leaf spring clips and can be rotated 360°. Virtual Source Lighting® optical design provides optimum efficiency and superior brightness control for visual comfort. Wall wash reflectors feature patent-pending VirtuWall Source™ optics for superior wall washing.

BALLAST:

One (1) compact fluorescent Class 'P' electronic HPF, universal voltage (120V through 277V) ballast. End of life protection standard. Accessible from above or below ceiling. Numerous dimming options available.

LAMP:

One (1) 26W (GX24q-3 base), or one (1) 32W (GX24q-3 base) 4-pin compact fluorescent lamp. Above or below ceiling relamping capability. Lamp furnished by others or as option below. Use only GE or Osram Sylvania lamps in triple tube lamp applications except wall wash. Use only Osram Sylvania with wall wash applications

SOCKET:

Injection molded vented lamp socket adjusts to two positions, accommodating various lamp sizes and ensuring precise lamp position. Die cast aluminum heat sink socket cup with tool-less, positive-positioning, Patented reflector-locking spring (U.S. Patent No. 7,740,384).

INSTALLATION:

Universal adjustable mounting brackets accommodate 1/2" EMT conduit; 1 1/2" or 3/4" lathing channel (by others); or Prescolite 24" bar hangers (B24 or B6).

LABELS:

UL Listed or UL/CSA listed with CDN option for damp locations. Approved for through wiring. Thermally protected. Non-IC rated.

DATE: _____ TYPE: _____

FIRM NAME: _____

PROJECT: _____

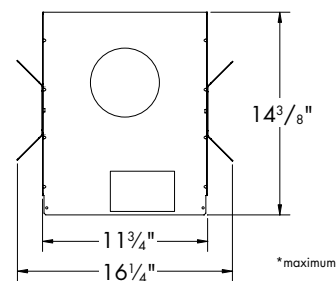
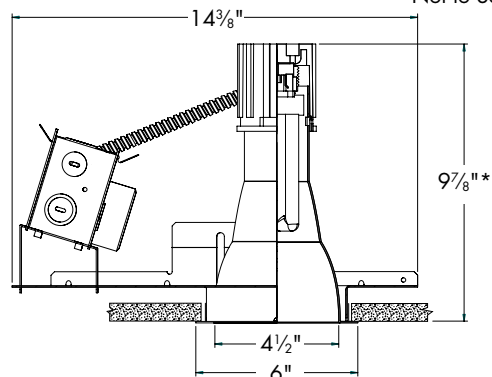
Architektür

Ceiling Cutout: 5"

Maximum Ceiling Thickness: 1 1/4"

For conversion to millimeters,
multiply inches by 25.4

Not to Scale



CATALOG NUMBER

EXAMPLE: D432EBDM 4D5MFC LP32T30K B24

Order housing, reflector, and accessories separately

HOUSING	HOUSING OPTIONS	REFLECTOR	REFLECTOR COLOR	ACCESSORIES
<input type="checkbox"/> D432EB 4", (1) 26W or 32W triple tube, multi-volt electronic ballast	<input type="checkbox"/> CDN Canadian electrical code compliant ballast disconnect <input type="checkbox"/> CDN 347V³ Canadian electrical code compliant ballast disconnect <input type="checkbox"/> EMR^{3, 4, 7} Emergency battery pack with remote test switch and indicator light <input type="checkbox"/> FSDFA Fuse kit installed at factory <input type="checkbox"/> RIF1^{4, 10} Radio interference filter (single circuit) <input type="checkbox"/> MW26⁶ Max Wattage label, 26W <input type="checkbox"/> CP⁴ Chicago Plenum <input type="checkbox"/> DM Electronic analog dimming ballast to 5%, 4-wire 0-10V, analog (120V-277V)	<input type="checkbox"/> ECDM Lutron EcoSystem or 3-wire line voltage dimming ballast (120-277V). Dims to 5%. <input type="checkbox"/> HDM⁵ Lutron Hi-Lume® Dimming Ballast to 1%, 3-wire line voltage (specify supply voltage/wattage) <input type="checkbox"/> 2DM⁵ Lutron Tu-Wire® Dimming Ballast to 5%, 2-wire line voltage (120V only) <input type="checkbox"/> 7DM Advance Mark 7™ Dimming Ballast to 3%, 4-wire 0-10V, analog (120V-277V) <input type="checkbox"/> SYL⁸ Osram Sylvania Ballast (available only for standard EB option) <input type="checkbox"/> XDM Advance Mark 10™ Dimming Ballast to 5%, 2-wire line voltage (specify supply voltage/wattage) <input type="checkbox"/> SMT¹ Philips Advance SmartMate® ballast	<input type="checkbox"/> 4D5 Open Alzak reflector (26W or 32W triple) <div style="background-color: #333; color: white; padding: 5px; text-align: center; margin: 5px 0;">REFLECTOR FINISH</div> <input type="checkbox"/> BLANK Specular Alzak <input type="checkbox"/> SS Semi-specular Alzak <input type="checkbox"/> MFC American Matte™ Alzak <div style="background-color: #333; color: white; padding: 5px; text-align: center; margin: 5px 0;">REFLECTOR OPTION</div> <input type="checkbox"/> TRG Trim ring gasket (factory installed) <input type="checkbox"/> WT Painted white self-linger <input type="checkbox"/> WW VirtuWall Source™ Wall wash	<input type="checkbox"/> B24 Set of two (2) 24" bar hangers for T-bar ceilings <input type="checkbox"/> B6 Set of two (2) bar hangers for ceiling joists up to 24" centers <input type="checkbox"/> FSDFI Fuse kit for field installation <input type="checkbox"/> SCA5_2 Sloped ceiling adapter for 4" housing (specify degree of slope and type of ceiling.) <div style="background-color: #333; color: white; padding: 5px; text-align: center; margin: 5px 0;">LAMP ACCESSORIES</div> <input type="checkbox"/> LP -wattage= 26, 32 -type= T (Triple 4-pin) -temp= 27K, 30K, 35K, 41K (Kelvin) *Example: LP32T30K

¹ SCA must be installed at initial installation (wherever SCA is used)

² Not available for 347V

³ 347V not available with EM or dimming options.

⁴ RIF1 and CP not offered in combination with EMR option

⁵ For 26W CFL lamp specify D426EB and add desired Lutron dimming option suffix

⁶ D432EB only

⁷ Remote Mount

⁸ Available for Osram Sylvania Quick 60+® Limited Warranty when used with Osram lamp(s). See www.prescolite.com for details.



PHOTOMETRIC DATA

Architektür D4 - 4" Vertical Open & Wall Wash Downlight

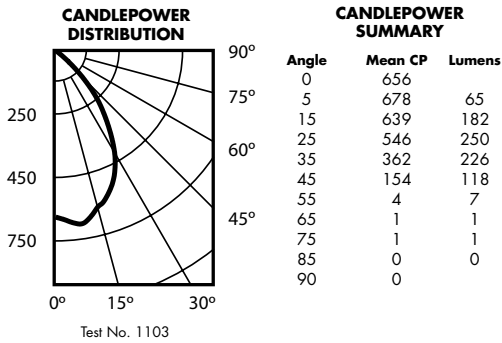
BALLAST DATA	26W Triple			32W Triple		
	120V	277V	347V	120V	277V	347V
Total System Watts	29W	29W	31W	36W	36W	36W
Input Current (Amps)	0.24	0.11	0.09	0.31	0.13	0.11
Input Frequency in Hz	50/60	50/60	50/60	50/60	50/60	50/60
Power Factor	>98%	>98%	>98%	>98%	>98%	>98%
Ballast Factor	>110%	>110%	>102%	>98%	>98%	>98%
Total Harmonic Distortion	<10%	<10%	<10%	<10%	<10%	<10%
Minimum Starting Temp	-18°C (0°F)	-18°C (0°F)	-18°C (0°F)	-18°C (0°F)	-18°C (0°F)	-18°C (0°F)

LAMP DATA

	26W triple	32W triple
Rated Watts	1800	2400
Rated Lumens	69	75
Efficacy (LPW)	10,000 hours	10,000 hours
Rated Life	82	82
CRI	0° F	0° F
Minimum Starting Temp.		

D432EB-4D5 with Clear Alzak® Reflector

Lamp: One 32W Triple
Spacing Criteria: 1.1
Efficiency: 38.6%



LUMINANCE DATA IN CANDELA/SQ. METER

Angle in Vertical	Average
0°	
45°	21218
55°	679
65°	231
75°	376
85°	0

AVERAGE INITIAL FOOTCANDLES

Multiple Units (Square Array)
Ceiling 80% Wall 50% Floor 20%

32W Triple	SPACING		
	RCR1	RCR3	RCR7
7.0	15	13	9
8.0	12	10	7
9.0	9	8	6
10.0	7	6	5
11.0	6	5	4
12.0	5	4	3
13.0	4	4	3
14.0	4	3	2
15.0	3	3	2

COEFFICIENTS OF UTILIZATION Zonal Cavity Method

Room Cavity Ratio	% Effective Ceiling Cavity Reflectance																
	80%					70%					50%						
	20% Effective Floor Cavity Reflectance																
	% Wall Reflectance																
	70	50	30	10	70	50	30	10	50	30	10	50	30	10			
1	.44	.43	.42	.41	.43	.42	.41	.40	.40	.39	.39	.39	.38	.38	.37	.37	.36
2	.41	.39	.38	.36	.40	.39	.37	.36	.37	.36	.35	.36	.35	.34	.35	.34	.34
3	.39	.36	.34	.33	.38	.36	.34	.32	.35	.33	.32	.34	.32	.31	.33	.32	.31
4	.37	.34	.31	.30	.36	.33	.31	.29	.32	.30	.29	.31	.30	.29	.31	.29	.28
5	.35	.31	.29	.27	.34	.31	.28	.27	.30	.28	.27	.29	.28	.26	.29	.27	.26
6	.33	.29	.26	.25	.32	.29	.26	.25	.28	.26	.24	.27	.26	.24	.27	.25	.24
7	.31	.27	.24	.23	.30	.27	.24	.23	.26	.24	.22	.26	.24	.22	.25	.23	.22
8	.29	.25	.23	.21	.29	.25	.22	.21	.24	.22	.21	.24	.22	.21	.24	.22	.21
9	.28	.23	.21	.19	.27	.23	.21	.19	.23	.21	.19	.23	.21	.19	.22	.20	.19
10	.26	.22	.20	.18	.26	.22	.20	.18	.22	.19	.18	.21	.19	.18	.21	.19	.18

Test No. 1103

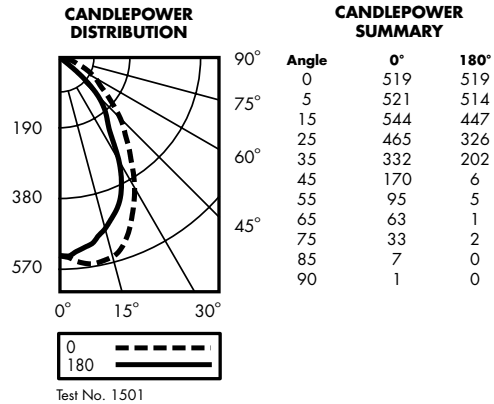
D432EB-4D5

NOTES

Refer to www.prescolite.com for additional photometric tests (IES Files).

D432EB-4D5WW with Clear Alzak® Reflector

Lamp: One 32W Triple
Spacing Criteria: 1.0
Efficiency: 27.7%



LUMINANCE DATA IN CANDELA/SQ. METER

Angle in Vertical	Average	Average 90°	Average 180°
45°	31998	11670	1129
55°	22044	2088	1160
65°	19841	945	315
75°	16970	514	1028
85°	10690	0	0

DISTANCE FROM CEILING IN FEET	MULTIPLE UNITS											
	1'	2'	3'	4'	UNITS ON 3' CENTER			UNITS ON 4' CENTER				
1	4.5	3.5	1.7	0.7	0.3	6.2	5.8	6.2	5.2	3.7	5.2	
2	5.7	4.6	2.5	1.2	0.6	8.4	8.1	8.4	6.9	5.5	6.9	
3	6.9	5.5	3.0	1.5	0.6	10.4	9.5	10.4	8.3	6.5	8.3	
4	7.3	6.3	4.0	1.9	0.9	11.6	11.7	11.6	9.2	8.4	9.2	
5	6.1	5.6	4.1	2.6	1.2	11.9	11.6	11.9	8.7	8.7	8.7	
6	4.6	4.4	3.5	2.4	1.6	10.3	10.5	10.3	8.0	7.7	8.0	
7	3.4	3.3	2.7	2.1	1.5	8.9	9.1	8.9	6.8	6.7	6.8	
8	2.6	2.5	2.2	1.7	1.4	7.6	7.8	7.6	5.8	5.9	5.8	
9	2.0	2.0	1.8	1.5	1.2	6.5	6.7	6.5	4.9	5.0	4.9	

D432EB-4D5WW Test No. 1501

