

PRODUCT INFORMATION PACKET

Model No: 048A17T237
Catalog No: X031
1/3,1625,TENV,48Y,1/60/115/230
Single Phase



Regal and Marathon are trademarks of Regal Beloit Corporation or one of its affiliated companies.
©2018 Regal Beloit Corporation, All Rights Reserved. MC017097E



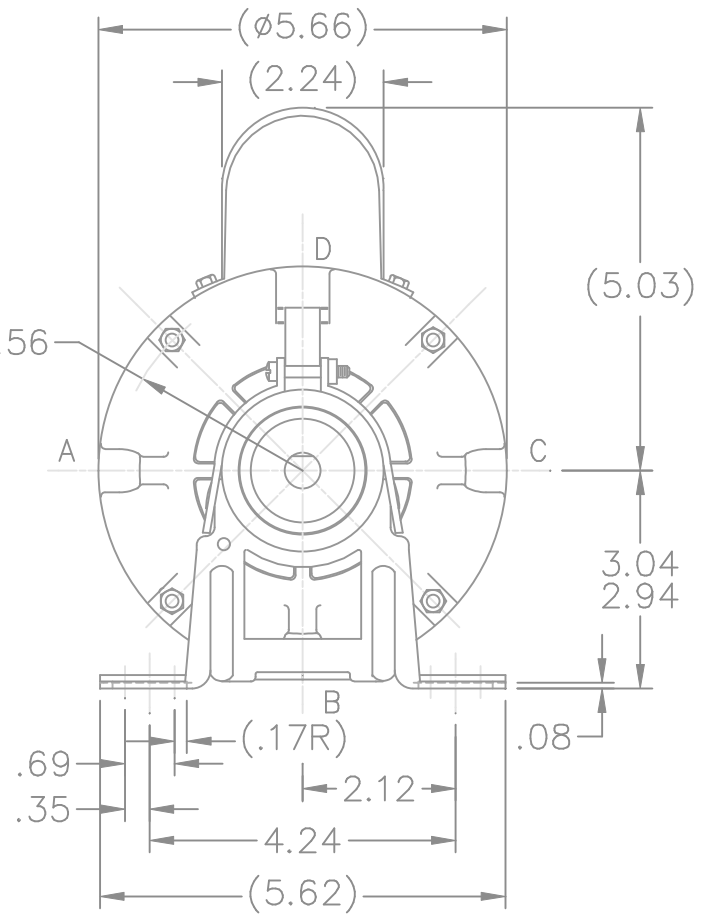
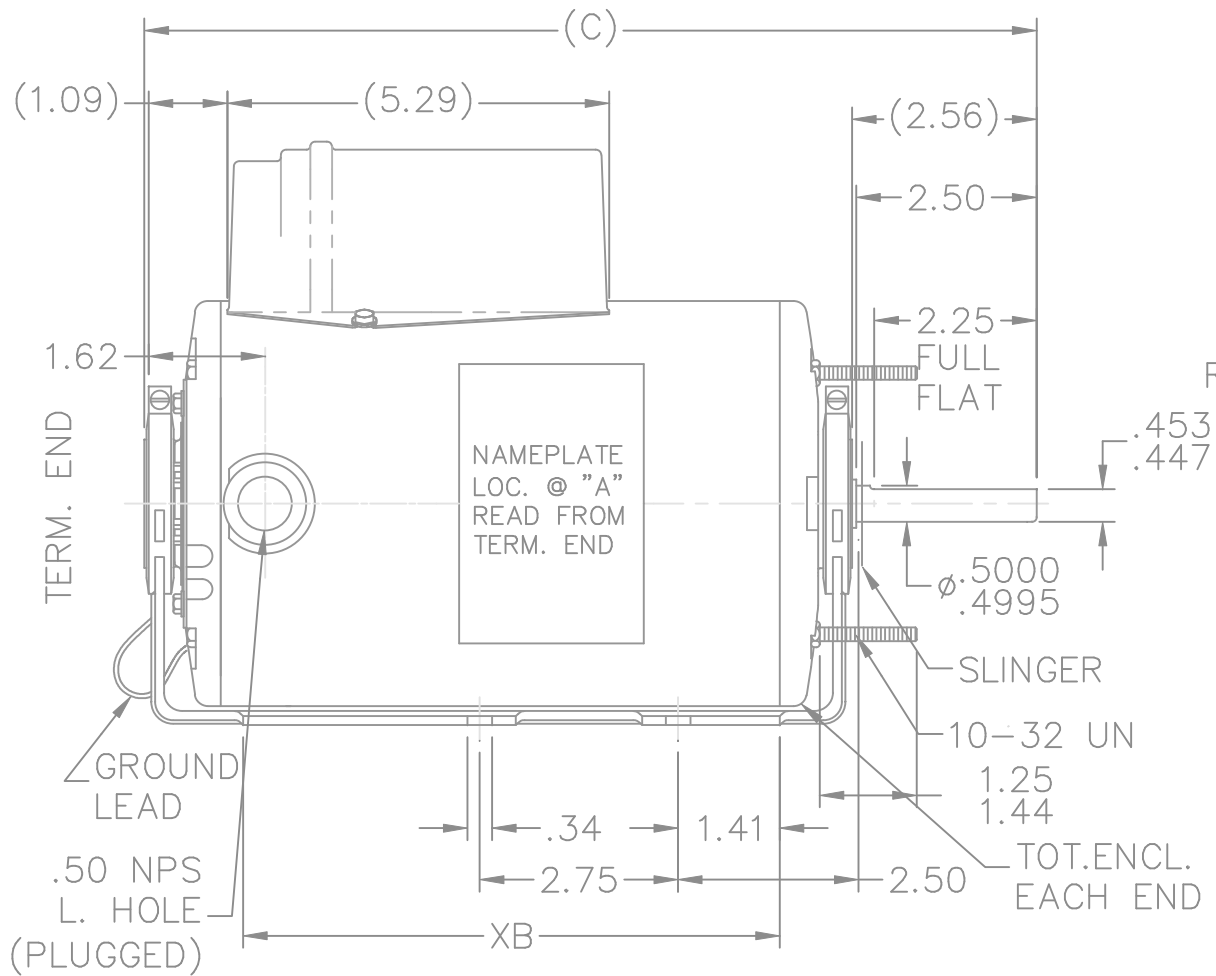


Nameplate Specifications

Output HP	0.33 Hp	Output KW	0.25 kW
Frequency	60 Hz	Voltage	115/230 V
Current	3.8/1.9 A	Speed	1625 rpm
Service Factor	1	Phase	1
Efficiency	66 %	Duty	Continuous
Insulation Class	B	Design Code	NO DESIGN CODE
KVA Code	D	Frame	48Y
Enclosure	Totally Enclosed Air Over	Overload Protector	Auto Lock Rotor Only
Ambient Temperature	40 °C	Drive End Bearing Size	6203
Opp Drive End Bearing Size	6203	UL	Recognized
CSA	Y	CE	N
IP Code	43		

Technical Specifications

Electrical Type	Permanent Split Capacitor	Starting Method	Across The Line
Poles	4	Rotation	Selective Counterclockwise
Mounting	Resilient Base - Extended Studs	Motor Orientation	Horizontal
Drive End Bearing	Ball	Opp Drive End Bearing	Ball
Frame Material	Rolled Steel	Shaft Type	Single Special Extension
Overall Length	11.81 in	Frame Length	7.25 in
Shaft Diameter	0.500 in	Shaft Extension	2.56 in
Assembly/Box Mounting	F1 Only		
Outline Drawing	A-SS75578-725	Connection Diagram	A-EE9057R



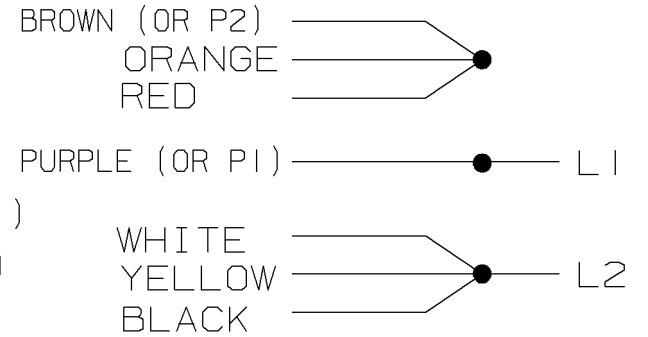
DASH	FR.	XB	C	DASH	FR.	XB	C
650	48	6.69	11.06	725	48	7.44	11.81
675	48	6.94	11.31				
700	48	7.19	11.56				

				TOLERANCES UNLESS SPECIFIED			DRAWN RM 06-15-1992				
				DEC.	INCHES		CHK ML 06-15-1992				
				.X	±.1	TITLE OUTLINE MAT'L. FINISH	APPD RJS 06-17-1992				
3	UPDATED DRAWING		TJW 04/20/2007	.XX	±.03		SCALE 3=8				
2	REDRAWN IN AUTOCAD		TAT 05-09-2005	ML	.XXX		REF				
1	NEW DRAWING 3923767		RM 06-17-1992		.XXXX	FMF					
NO.	REVISION		BY & DATE	CHK	ANG	PREV					
				RFP			SIZE A	DRAWING NO. SS75578	PAGE	OF	REV. 3
				DIST WP							

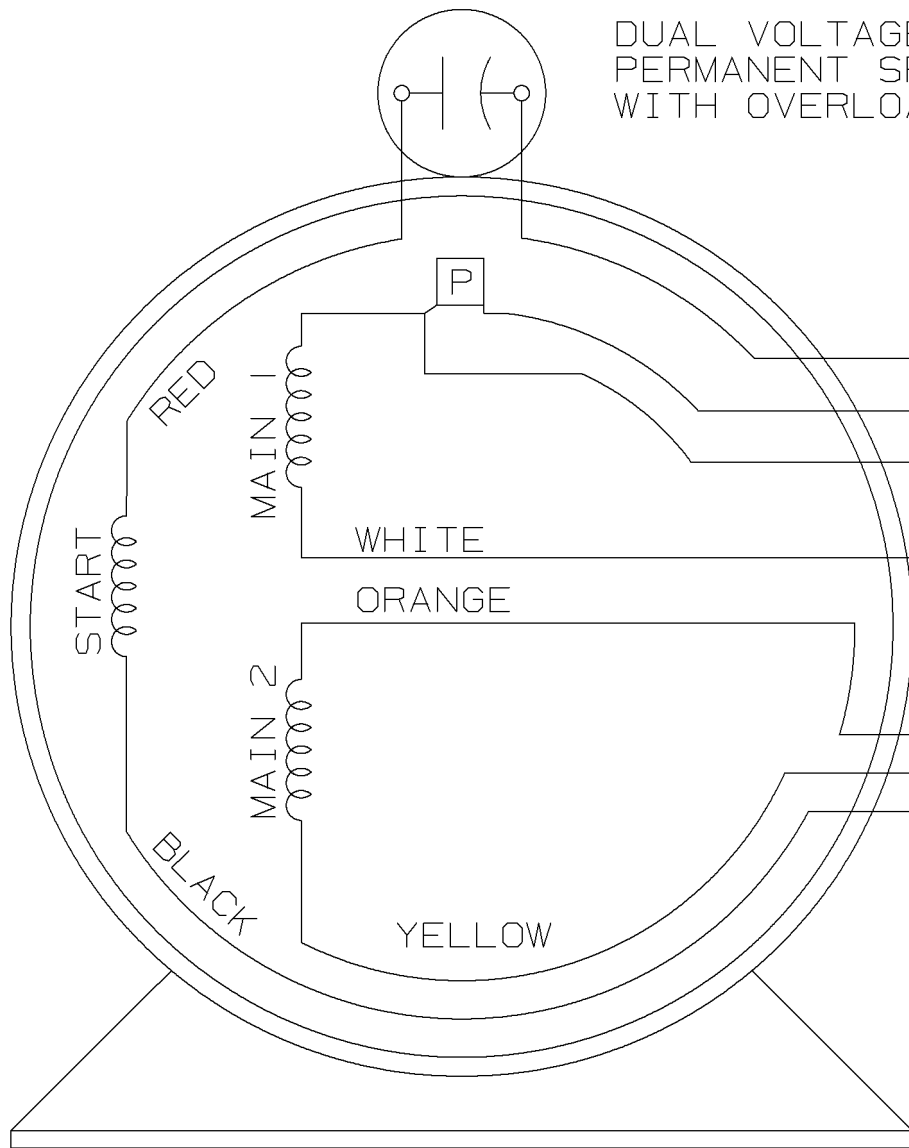
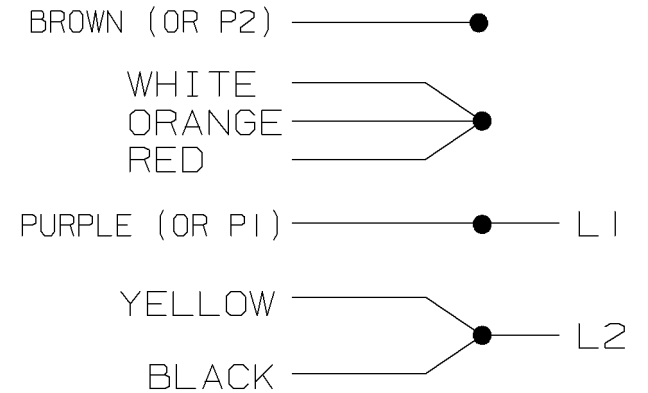
THIS DRAWING IN DESIGN AND DETAIL IS OUR PROPERTY AND MUST NOT BE USED EXCEPT IN CONNECTION WITH OUR WORK ALL RIGHTS OF DESIGN AND INVENTION ARE RESERVED THIS IS AN ELECTRONICALLY GENERATED DOCUMENT - DO NOT SCALE THIS PRINT

DUAL VOLTAGE MOTOR
PERMANENT SPLIT CAPACITOR
WITH OVERLOAD PROTECTION

LOW VOLTAGE
CCW ROTATION



HIGH VOLTAGE
CCW ROTATION



VIEW OF TERMINAL END

TO REVERSE ROTATION, EITHER
VOLTAGE, INTERCHANGE RED WITH BLACK

3	08-08-1993	CORRECTED LOW VOLTAGE CONN.	DA	✓ MAX. SURFACE ROUGHNESS UNLESS NOTED OTHERWISE	UNLESS OTHERWISE SPECIFIED DIMENSIONS ARE IN INCHES TOL. ON XX± XXX±.005 XXXX±.0005 ANGLES±			
2	08-12-1992	REVISED PROT. LEADS CN 14441	RM	MATL SPEC				DRAWN BY RM 08-27-1991
1	08-27-1991	NEW DRAWING 3834311	RM	FINISH				CHKD BY ML 08-30-1991
REV	DATE	CHANGE	NAME	REFERENCE DRW.	WAUSAU, WISCONSIN 54401			
				PART NAME CONNECTION DIAGRAM	DRWG NO A-EE9057R			

SHOP BOOK

PURCHASED

DISTRIBUTION - WA - LB - WP - LM - BR

CADD FILE NO.

EE9057R

```
ERROR: syntaxerror  
OFFENDING COMMAND: --nostringval--
```

```
STACK:
```

```
/terminate  
-dictionary-  
/Pscript_WinNT_Compact  
-dictionary-
```

CERTIFICATION DATA SHEET

Model#: 48A17T237 D **WINDING#:** PE484304 NONE 3
CONN. DIAGRAM: A-EE9057R **ASSEMBLY:** F1 ONLY
OUTLINE: A-SS75578-725

TYPICAL MOTOR PERFORMANCE DATA

HP	KW	SYNC. RPM	F.L. RPM	FRAME	ENCLOSURE	KVA CODE	DESIGN	
1/3	0.25	1800	1625	48Y	TEAO	D	NO DESIGN CODE	

PH	Hz	VOLTS	FL AMPS	START TYPE	DUTY	INSL	S.F	AMB°C	ELEVATION
1	60	115/230	3.8/1.9	ACROSS THE LINE	CONTINUOUS	B3	1.0	40	3300

FULL LOAD EFF: 66.0	3/4 LOAD EFF: 57	1/2 LOAD EFF: 50	GTD. EFF	ELEC. TYPE	NO LOAD AMPS
FULL LOAD PF: -	3/4 LOAD PF: 100	1/2 LOAD PF: 100	-	PSC 1 SPEED	1.3 / .7

F.L. TORQUE	LOCKED ROTOR AMPS	L.R. TORQUE	B.D. TORQUE	F.L. RISE°C
16.8 LB-FT	11.4 / 5.7	11.4 LB-FT 0	30.2 LB-FT -	0

SOUND PRESSURE @ 3 FT.	SOUND POWER	ROTOR WK^2	MAX. WK^2	SAFE STALL TIME	STARTS /HOUR	APPROX. MOTOR WGT
- dBA	- dBA	0 LB-FT^2	- LB-FT^2	- SEC.	-	0 LBS.

***** SUPPLEMENTAL INFORMATION *****

DE BRACKET TYPE	ODE BRACKET TYPE	MOUNT TYPE	ORIENTATION	SEVERE DUTY	HAZARDOUS LOCATION	DRIP COVER	SCREENS	PAINT
STANDARD	STANDARD	RESILIENT BASE- EXTENDED STUDS	HORIZONTAL	FALSE	NONE	FALSE	NONE	GRAY (POWDER)

BEARINGS		GREASE	SHAFT TYPE	SPECIAL DE	SPECIAL ODE	SHAFT MATERIAL	FRAME MATERIAL
DE	OPE						
BALL	BALL	MULTEMP SRL	SGL SPL EXT	0.500 x 2.50 WITH 2.25 FULL FLAT	NONE	1144 STRESSPROOF (C-223)	ROLLED STEEL
6203	6203						

THERMO-PROTECTORS				THERMISTORS	CONTROL	SPACE /n HEATERS
THERMOSTATS	PROTECTORS	WDG RTDs	BRG RTDs			
NONE	AUT LCK RTR ONLY	NONE	NONE	NONE	FALSE	NONE VOLTS

If Inverter equals NONE, contact factory for further information

INVERTER TORQUE: NONE
INV. HP SPEED RANGE: NONE
ENCODER: NONE
NONE NONE
NONE NONE PPR
BRAKE: NONE NONE
NONE P/N NONE
NONE NONE
NONE FT-LB NONE V NONE Hz

*
N
O
T
E
S
*

** Subject to change without notice.