



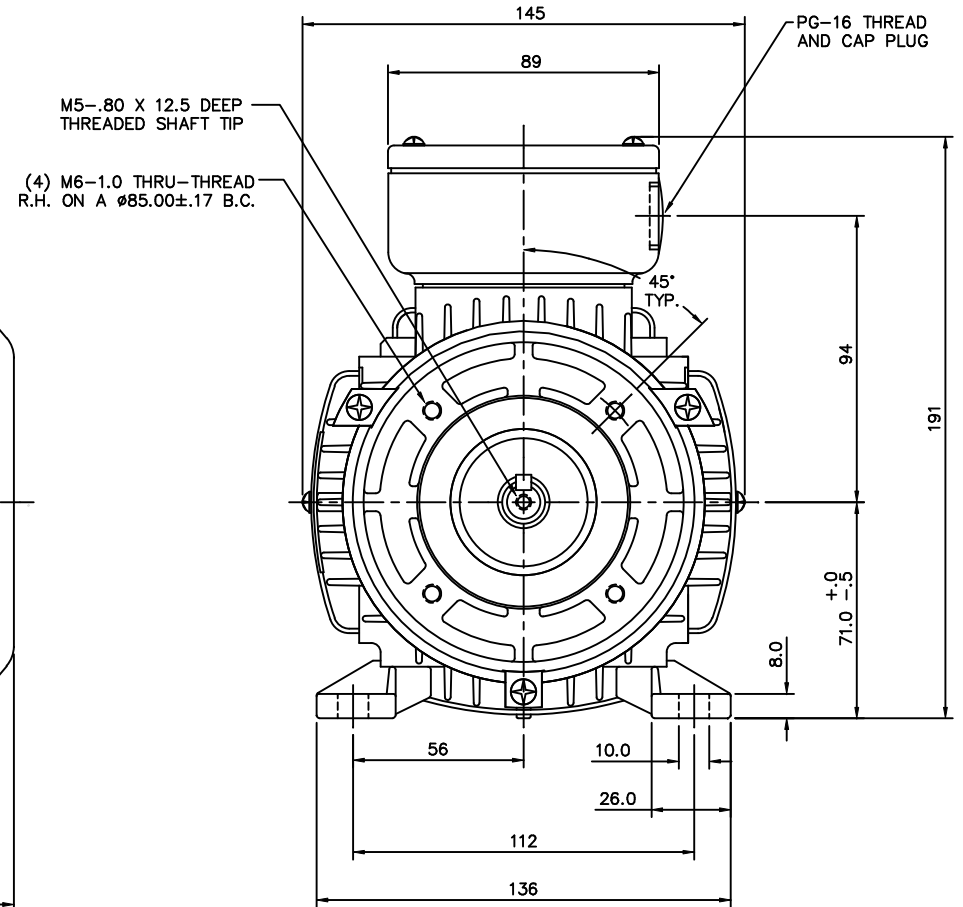
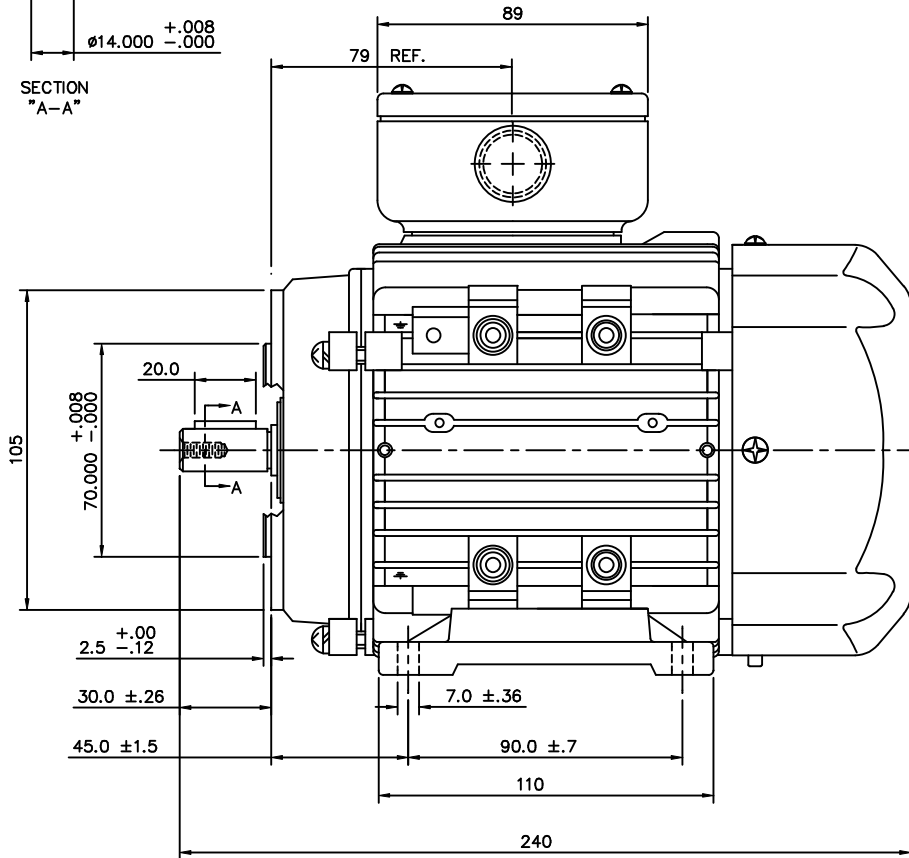
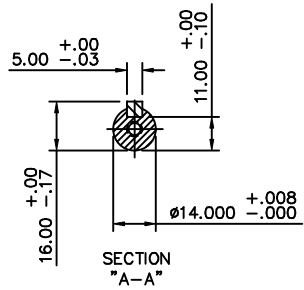
Nameplate Specifications

Output HP	0.75 Hp	Output KW	0.56 kW
Frequency	60 Hz	Voltage	230/460 V
Current	2.4/1.2 A	Speed	3400 rpm
Service Factor	1.15	Phase	3
Efficiency	74 %	Duty	Continuous
Insulation Class	F	Design Code	B
KVA Code	J	Frame	71
Enclosure	Totally Enclosed Fan Cooled	Overload Protector	No
Ambient Temperature	40 °C	Drive End Bearing Size	6203
Opp Drive End Bearing Size	6203	UL	Recognized
CSA	Y	CE	Y
IP Code	55		

Technical Specifications

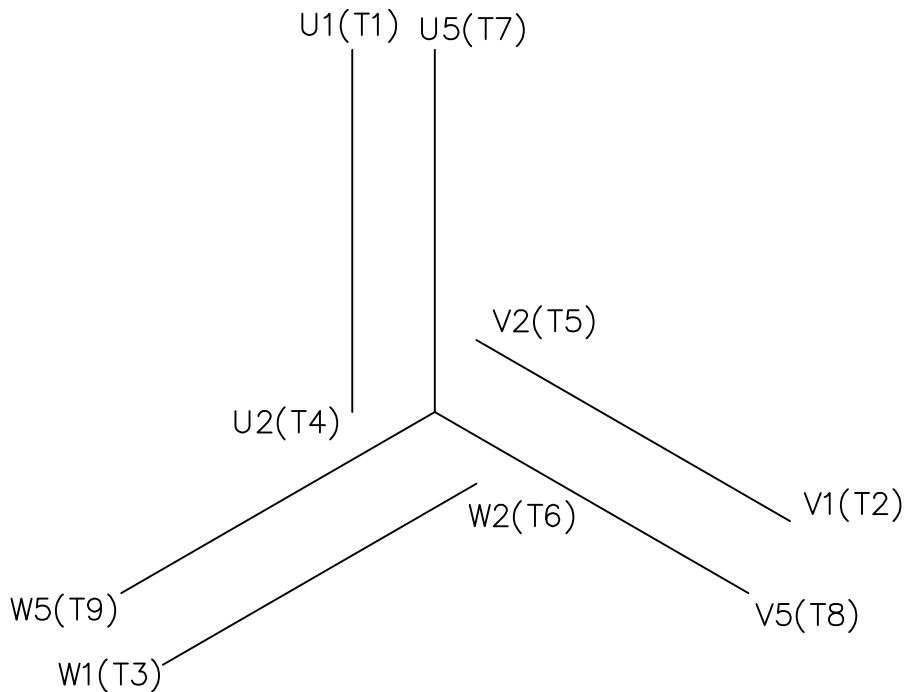
Electrical Type	Squirrel Cage Inverter Rated	Starting Method	Line Or Inverter
Poles	2	Rotation	Reversible
Mounting	Rigid base	Motor Orientation	Horizontal
Drive End Bearing	Ball	Opp Drive End Bearing	Ball
Frame Material	Aluminum	Shaft Type	IEC
Overall Length	9.44 in	Shaft Diameter	0.555 in
Shaft Extension	1.18 in	Assembly/Box Mounting	F3
Outline Drawing	16986400ME	Connection Diagram	005465.01ME

This is an uncontrolled document once printed or downloaded and is subject to change without notice. Date Created: 06/29/2018



		TOLERANCES UNLESS SPECIFIED		MARATHON ELECTRIC	DRAWN			
		DEC.	METRIC		CHK			
		.X	±2.5	TITLE METRIC MOTOR OUTLINE, IMB34 IEC-71 FRAME RIGID MOUNT W/B14 FLANGE MATL ALUMINUM FINISH	APPD			
		.XX	±.76		SCALE 1=1.6			
		.XXX	±.127		REF 169864-00			
		.XXXX	±.0127		FMF LEESON STOCK			
NO.	REVISION	BY & DATE	CHK	ANG	FINISH	PREV		
THIS DRAWING IN DESIGN AND DETAIL IS OUR PROPERTY AND MUST NOT BE USED EXCEPT IN CONNECTION WITH OUR WORK ALL RIGHTS OF DESIGN AND INVENTION ARE RESERVED THIS IS AN ELECTRONICALLY GENERATED DOCUMENT - DO NOT SCALE THIS PRINT			RFP	CAD FILE	16986400ME	SIZE	DRAWING NO.	REV.
			DIST			B	169864-00ME	

```
ERROR: undefined
OFFENDING COMMAND: Pscr
STACK :
```



REF. DECAL (IEC) 080644
REF. DECAL (NEMA) 080446

IEC MARKINGS

LOW VOLTAGE			HIGH VOLTAGE			
LINE VOLTAGE	L1	L2	L3	JOIN		
TERMINAL	U1	V1	W1	W2	U2	V2
LOW	U1,U5	V1,V5	W1,W5	----	U2,V2,W2	----
HIGH	U1	V1	W1	U2,U5	V2,V5	W2,W5

NEMA MARKINGS

LOW VOLTAGE			HIGH VOLTAGE			
LINE VOLTAGE	L1	L2	L3	JOIN		
TERMINAL	U1	V1	W1	W2	U2	V2
LOW	T1, T7	T2, T8	T3, T9	----	T4,T5,T6	----
HIGH	T1	T2	T3	T4, T7	T5, T8	T6, T9

		TOLERANCES UNLESS SPECIFIED				DRAWN			
		DEC.	INCHES			JGO 3/10/04			
		.X	±.1			CHK SB 02-17-2010			
		.XX	±.01			APPD MJS 02-17-2010			
		.XXX	±.005			SCALE 1=1			
		.XXXX	±.0005	REF					
NO.	REVISION	BY & DATE	CHK	ANG	±1/2'	FINISH	FMF		
							PREV		
THIS DRAWING IN DESIGN AND DETAIL IS OUR PROPERTY AND MUST NOT BE USED EXCEPT IN CONNECTION WITH OUR WORK ALL RIGHTS OF DESIGN AND INVENTION ARE RESERVED THIS IS AN ELECTRONICALLY GENERATED DOCUMENT - DO NOT SCALE THIS PRINT			RFP	02-17-2010	CAD FILE	00546501ME	SIZE	DRAWING NO.	REV.
			DIST				A	005465ME-01	

