

# PRODUCT INFORMATION PACKET

Model No: 145TCWR5326  
Catalog No: N683  
1 1/2,1800,TEFC,145,1/60/115/208-230  
Washdown Duty



Regal and Marathon are trademarks of Regal Beloit Corporation or one of its affiliated companies.

©2018 Regal Beloit Corporation, All Rights Reserved. MC017097E





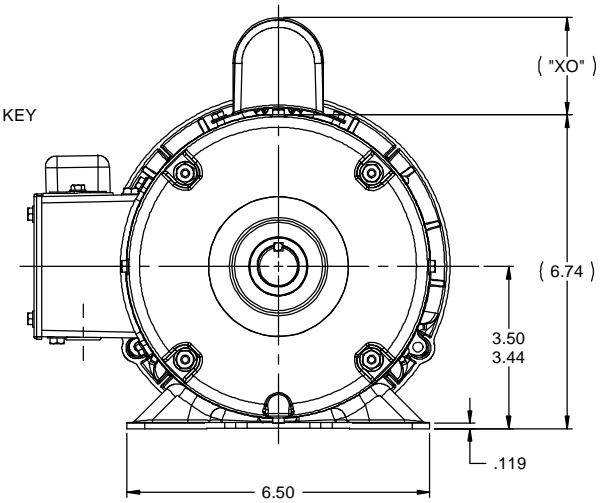
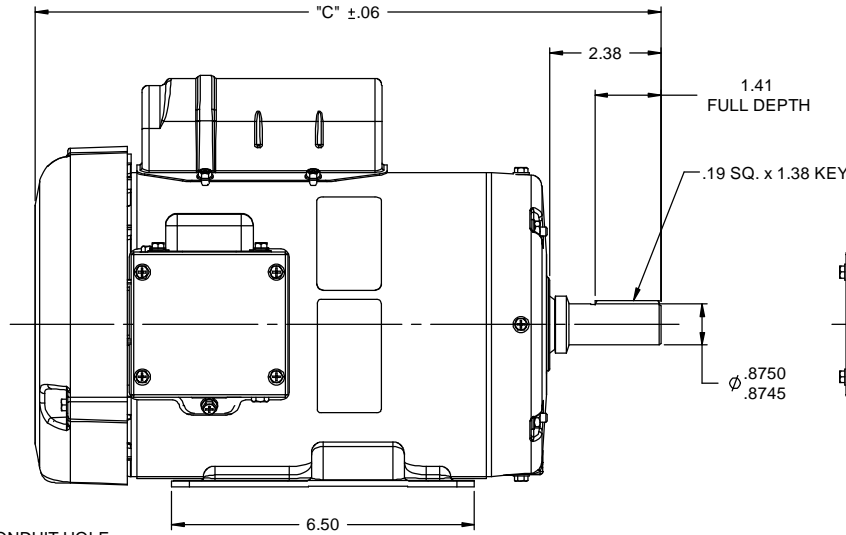
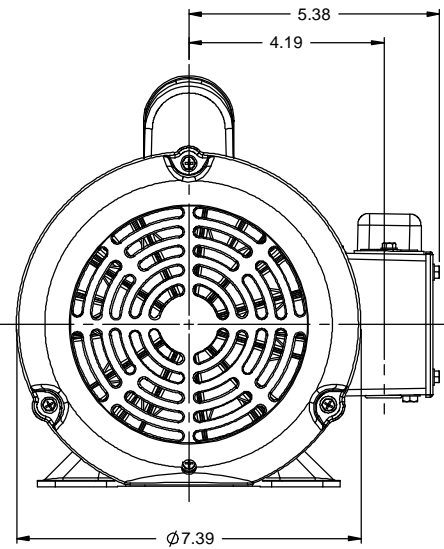
### Nameplate Specifications

Output HP	<b>1.50 Hp</b>	Output KW	<b>1.1 kW</b>
Frequency	<b>60 Hz</b>	Voltage	<b>115/208-230 V</b>
Current	<b>19.0/9.6-9.5 A</b>	Speed	<b>1740 rpm</b>
Service Factor	<b>1.15</b>	Phase	<b>1</b>
Efficiency	<b>71 %</b>	Duty	<b>Continuous</b>
Insulation Class	<b>F</b>	Design Code	<b>N</b>
KVA Code	<b>J</b>	Frame	<b>145T</b>
Enclosure	<b>Totally Enclosed Fan Cooled</b>	Overload Protector	<b>No</b>
Ambient Temperature	<b>40 °C</b>	Drive End Bearing Size	<b>6205</b>
Opp Drive End Bearing Size	<b>6203</b>	UL	<b>Recognized</b>
CSA	<b>Y</b>	CE	<b>Y</b>
IP Code	<b>55</b>		

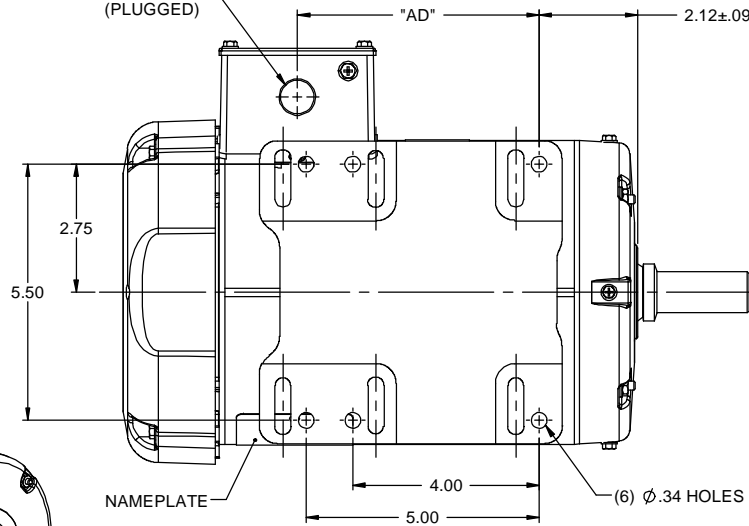
### Technical Specifications

Electrical Type	<b>Capacitor Start Induction Run</b>	Starting Method	<b>Across The Line</b>
Poles	<b>4</b>	Rotation	<b>Selective Counterclockwise</b>
Mounting	<b>Rigid base</b>	Motor Orientation	<b>Horizontal</b>
Drive End Bearing	<b>Ball</b>	Opp Drive End Bearing	<b>Ball</b>
Frame Material	<b>Rolled Steel</b>	Shaft Type	<b>T</b>
Overall Length	<b>13.43 in</b>	Frame Length	<b>7.50 in</b>
Shaft Diameter	<b>0.875 in</b>	Shaft Extension	<b>2.38 in</b>
Assembly/Box Mounting	<b>F1 Only</b>		
Outline Drawing	<b>607-0012ME-750B</b>	Connection Diagram	<b>005278.01ME</b>

This is an uncontrolled document once printed or downloaded and is subject to change without notice. Date Created: 06/29/2018



(1) 1/2-14 NPT CONDUIT HOLE (PLUGGED)

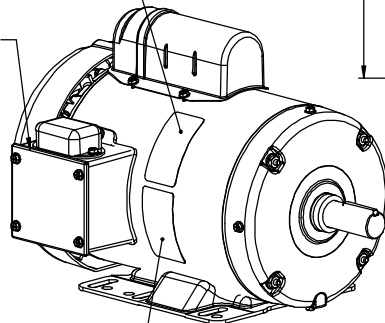


### WASHGUARD MOTOR

- SPECIAL FEATURES:
1. SHAFT SEALS & V-RING.
  2. PLUGGED DRAIN HOLES IN ENDBELLS & CONDUIT BOX.
  3. BUNA-N GASKETS THROUGHOUT.
  4. STAINLESS STEEL SHAFT, HARDWARE & NAMEPLATE.
  5. SOLID STATE SWITCH MOUNTED TO CONDUIT BOX.

S.S. SWITCH WARNING DECAL

CONNECTION DECAL UNDER COVER (WHEN REQUIRED)



DRAIN HOLE DECAL

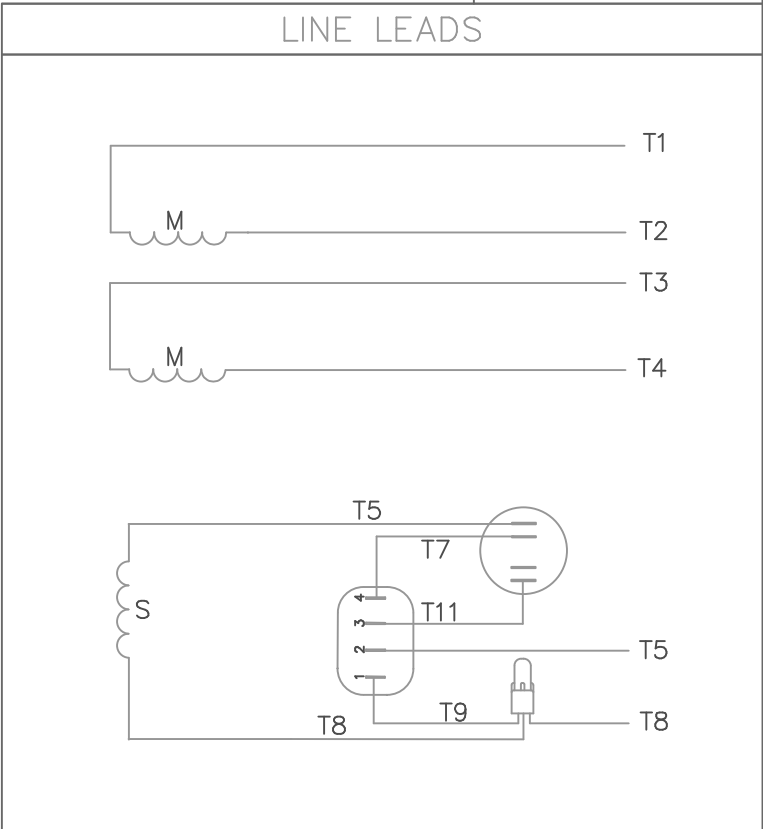
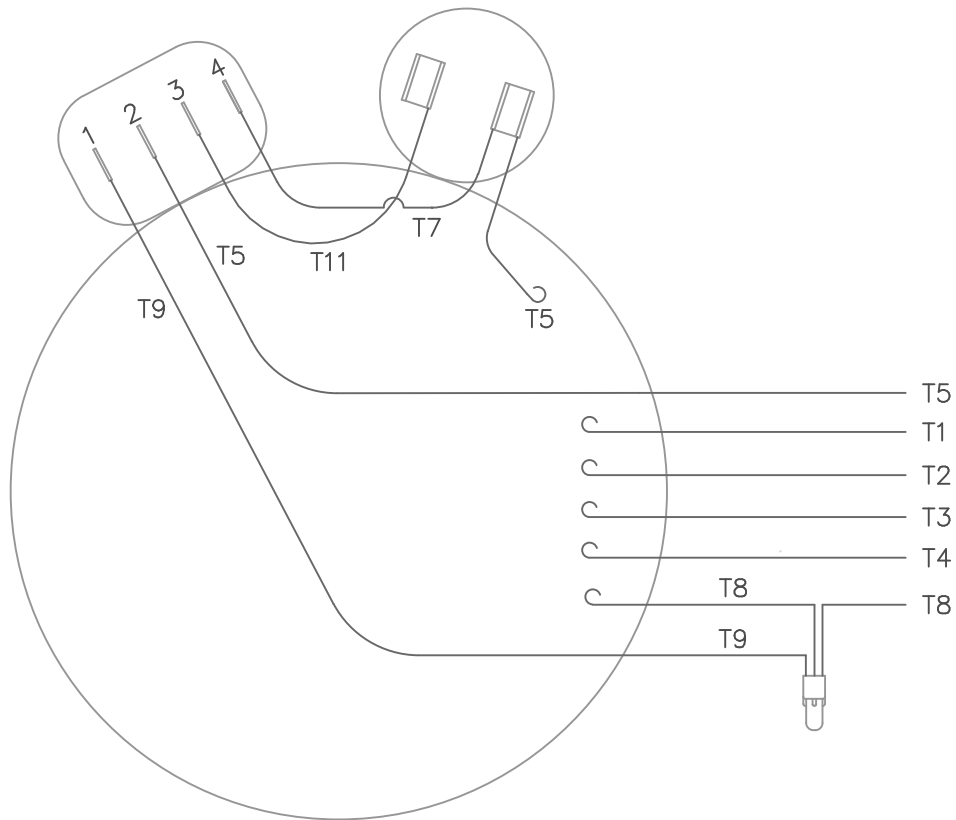
NAMEPLATE

DASH NO.	"C"	"AD"	"XO"
650A	12.43	4.19	2.00
700A	12.93	4.69	2.00
750A	13.43	5.19	2.00
800A	13.93	5.69	2.00

DASH NO.	"C"	"AD"	"XO"
650B	12.43	4.19	2.25
700B	12.93	4.69	2.25
750B	13.43	5.19	2.25
800B	13.93	5.69	2.25

				TOLERANCES UNLESS SPECIFIED				DRAWN VS 9/21/2012	
				DEC	INCHES			CHK	APPR
				X	±.1	TITLE OUTLINE - 140T FRAME		SCALE 3:8	
				XX	±.03	TEFC - RIGID		REF 607-0012	
				XXX	±.005	MATL WASHGUARD		FMF 143TCWR17031	
				XXXX	±.0005	FINISH		PAGE OF	
NO	REVISION	BY & DATE	CHK	LANG	±1/2"	PREV	SIZE	DRAWING NO	REV
	THIRD ANGLE PROJECTION					NETWORK FILE NAME	B	607-0012ME	

VIEW FROM OUTSIDE OF MOTOR AT SWITCH END



	ROTATION FACING LEAD END	L1	L2	JOIN & INSULATE
HIGH VOLT	C.C.W.	T1	T4 T5	T2,T3 T8
	C.W.	T1	T4 T8	T2,T3 T5
LOW VOLT	C.C.W.	T1,T3 T8	T2,T4 T5	
	C.W.	T1,T3 T5	T2,T4 T8	

		TOLERANCES UNLESS SPECIFIED			DRAWN RDW 04/18/02	
		DEC.	INCHES		CHK	
		.X	±.1		APPD KMM 04/18/02	
		.XX	±.01		SCALE 1=1	
		.XXX	±.005		REF	
		.XXXX	±.0005	MAT'L. DECAL - 004012		
NO.	REVISION	BY & DATE	CHK	ANG ±1/2'	FINISH	FMF
THIS DRAWING IN DESIGN AND DETAIL IS OUR PROPERTY AND MUST NOT BE USED EXCEPT IN CONNECTION WITH OUR WORK ALL RIGHTS OF DESIGN AND INVENTION ARE RESERVED THIS IS AN ELECTRONICALLY GENERATED DOCUMENT - DO NOT SCALE THIS PRINT			RFP 04/18/02	CAD FILE 00527801ME	SIZE A	DRAWING NO. 005278-01ME
			DIST			REV.

