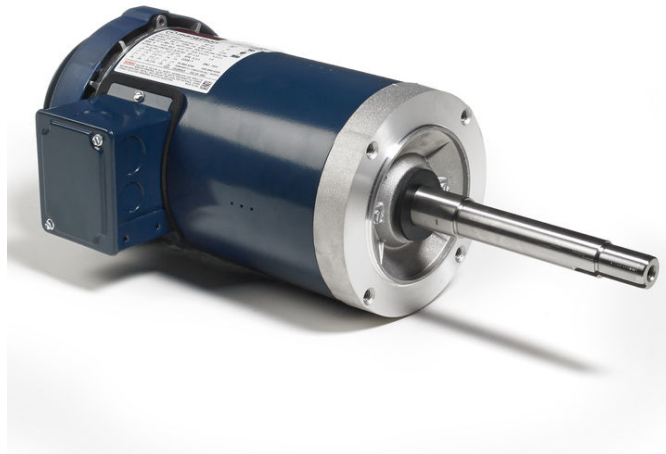


PRODUCT INFORMATION PACKET

Model No: 145TTFR16073
Catalog No: GT5507
2,1800,TEFC,145JPV,3/60/575
JP



Regal and Marathon are trademarks of Regal Beloit Corporation or one of its affiliated companies.
©2018 Regal Beloit Corporation, All Rights Reserved. MC017097E





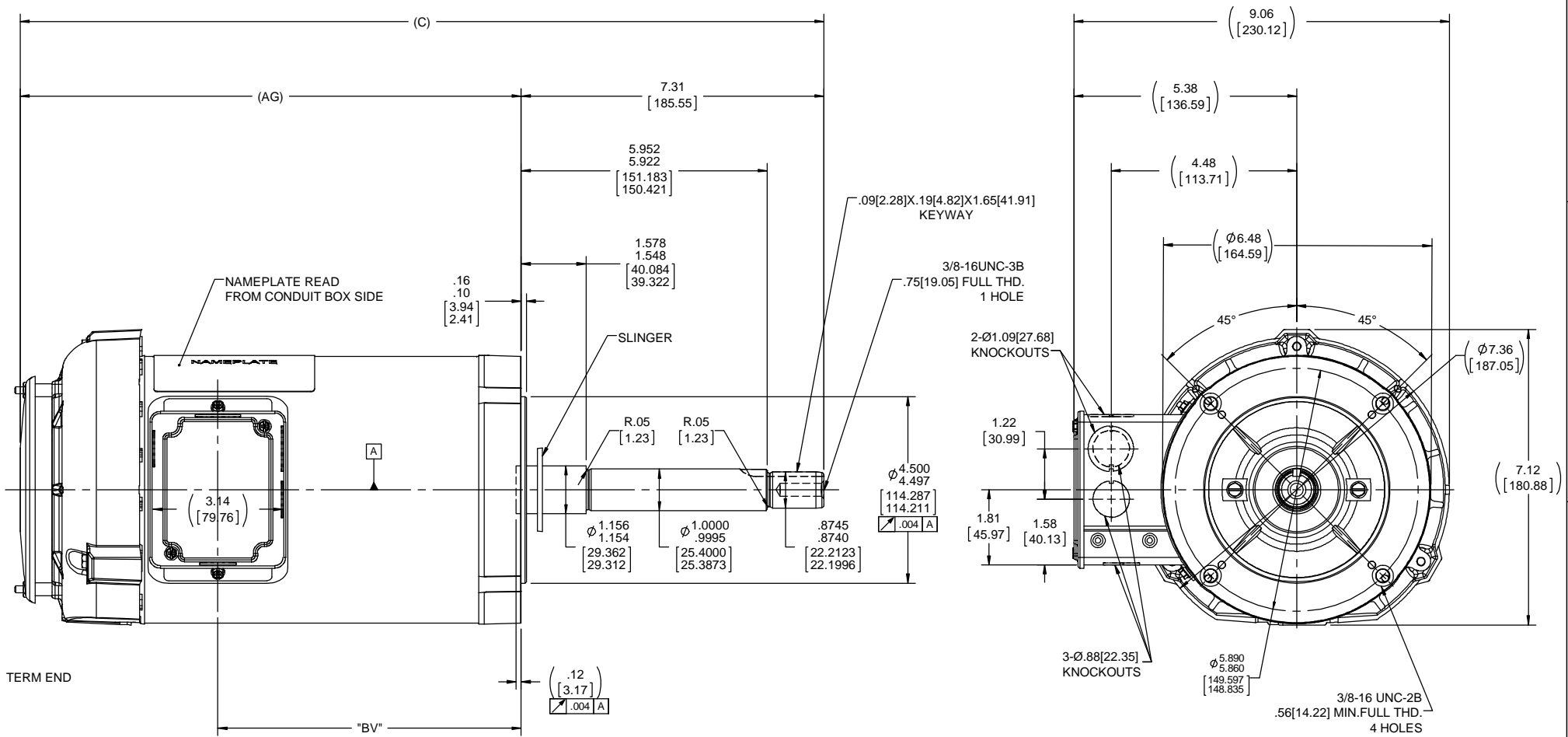
Nameplate Specifications

Output HP	2 Hp	Output KW	1.5 kW
Frequency	60 Hz	Voltage	575 V
Current	2.4 A	Speed	1760 rpm
Service Factor	1.15	Phase	3
Efficiency	86.5 %	Duty	Continous
Insulation Class	F	Design Code	A
KVA Code	N	Frame	145JPV
Enclosure	Totally Enclosed Fan Cooled	Overload Protector	No
Ambient Temperature	40 °C	Drive End Bearing Size	6206
Opp Drive End Bearing Size	6203	UL	Recognized
CSA	Y	CE	Y
IP Code	43		

Technical Specifications

Electrical Type	Squirrel Cage Inverter Rated	Starting Method	Line Or Inverter
Poles	4	Rotation	Reversible
Mounting	Round	Motor Orientation	Horizontal Or Shaft Down
Drive End Bearing	Ball	Opp Drive End Bearing	Ball
Frame Material	Rolled Steel	Shaft Type	JP
Overall Length	20.85 in	Frame Length	9.56 in
Shaft Diameter	0.875 in	Shaft Extension	7.31 in
Assembly/Box Mounting	F1 Only		
Outline Drawing	B-100659-956	Connection Diagram	A-EE7300

This is an uncontrolled document once printed or downloaded and is subject to change without notice. Date Created: 06/29/2018



NOTE:
CONDUIT BOX CAN BE ROTATED 180°.

DASH NO.	"C"	"AG"	"BV"
656	17.90[454.66]	10.59[268.98]	5.82[147.82]
706	18.40[467.36]	11.09[281.68]	6.32[160.52]
756	18.90[480.06]	11.59[294.38]	6.82[173.22]
806	19.40[492.76]	12.09[307.08]	7.32[185.92]
856	19.90[505.46]	12.59[319.78]	7.82[198.62]
906	20.40[518.16]	13.09[332.48]	8.32[211.32]
956	20.90[530.86]	13.59[345.18]	8.82[224.02]

DRAWING REVISION B	REVISION BY A. KEETHA	DATE 01-29-2018	TOLERANCES UNLESS OTHERWISE SPECIFIED: DEC. INCH mm ANGLE .X ±0.1 [2.5] ±7 30° .XX ±0.02 [0.51] .XXX ±0.005 [0.127] .XXXX ±0.0005 [±0.0127]	DRAWN BY RM	Regal Beloit America, Inc.
ECCO-0143026	APPROVED BY PST	DATE 04/11/2018	REMOVE BURRS & BREAK SHARP EDGES: .003/.015 [0.076/.381] X 45° CORNER FILLETS: R.02 [51] MACHINED SURFACES: 200/5.1 INCH/ mm SHOWN IN [BRACKETS]	DATE 10-23-1992	
ECCO DESCRIPTION OUTLINE CONVERSION PROJECT COPYRIGHT REGAL BELOIT AMERICA, INC. ALL RIGHTS RESERVED. PROPRIETARY AND CONFIDENTIAL INFORMATION. THIS DOCUMENT IS THE PROPERTY OF REGAL BELOIT AMERICA, INC. FORMERLY AND CONTAINING OWNERS PROPRIETARY INFORMATION. ANY PERSON, CORPORATION OR OTHER FIRM RECEIVING IT IS DEEMED TO HAVE AGREED TO THESE TERMS AND CONDITIONS. THIS DOCUMENT SHALL BE RETURNED TO OWNER UPON REQUEST. IT MAY BE SUBJECT TO CERTAIN RESTRICTIONS UNDER APPLICABLE EXPORT CONTROL LAWS AND REGULATIONS.				APPROVED BY MS	DESCRIPTION OUTLINE 140 FRAME-1Ø-BB-C'FACE-TEFC
				DATE 10-27-1992	MATERIAL 140 FRAME-1Ø-BB-C'FACE-TEFC
				REFERENCE 100659	PROCESS/FINISH
				THIRD ANGLE PROJECTION	SIZE DRAWING NUMBER 100659
					SHEET 1 OF 1

**THREE PHASE - SINGLE VOLTAGE
MOTOR - CONDUIT BOX @ 'A'**

**TO REVERSE ROTATION:
INTERCHANGE ANY TWO
LINE LEAD CONNECTIONS.**

TERMINAL BLOCK WHEN SPECIFIED



VIEW OF TERMINAL END

**IF MOTOR HAS
6 LEADS**



A-9806 DECAL

**OPTIONAL CORD
CONNECTION**

- L1 _____ WHITE
- L2 _____ RED
- L3 _____ BLACK

DRAWING REVISION AB	REVISION BY JJB	DATE 06-27-2017
ECO ECO-0125361	APPROVED BY TB	DATE 06-27-2017
ECO DESCRIPTION UPDATED TO CURRENT STANDARDS		
<small>COPYRIGHT REGAL BELOIT AMERICA, INC. ALL RIGHTS RESERVED. PROPRIETARY AND CONFIDENTIAL INFORMATION - THIS DOCUMENT IS THE PROPERTY OF REGAL BELOIT AMERICA, INC. ("OWNER") AND CONTAINS OWNER'S PROPRIETARY INFORMATION. ANY PERSON, CORPORATION OR OTHER FIRM RECEIVING IT IS DEEMED, BY RECEIVING IT, TO AGREE THAT IT, AND/OR ANY PART OF IT, SHALL NOT BE DISCLOSED TO ANY PERSON, CORPORATION OR OTHER ENTITY, DUPLICATED, AND/OR USED, EXCEPT AS EXPRESSLY APPROVED IN WRITING IN ADVANCE BY OWNER. THIS DOCUMENT SHALL BE RETURNED TO OWNER UPON REQUEST. IT MAY BE SUBJECT TO CERTAIN RESTRICTIONS UNDER APPLICABLE EXPORT CONTROL LAWS AND REGULATIONS.</small>		



DRAWN BY DA
DATE 03-26-1993
APPROVED BY TB
DATE 03-26-1993
REFERENCE
THIRD ANGLE PROJECTION

Regal Beloit America, Inc.	
MATERIAL	PROCESS/FINISH
SIZE A	DRAWING NUMBER EE7300
SHEET 1 OF 1	



P.O. BOX 8003
WAUSAU, WI 54401-8003
PH. 715-675-3311

DATA VOLTS: 460

CERTIFICATION DATA SHEET

CUSTOMER: _____
 ORDER #: _____
 CONN. DIAGRAM: A-E/7300
 WINDING: B-100659-956
 SPEED: _____ ZT4255 FR 4
 CUSTOMER P.O. #: _____
 REFERENCE MODEL #: 145TTR16073
 CAT #: G15507
 CUSTOMER PART #: _____
 MOUNTING: F1 ONLY

TYPICAL MOTOR PERFORMANCE DATA

HP	KW	SYNC RPM	FL RPM	FRAME	ENCLOSURE	TYPE	KVA CODE	DESIGN	
2	1.5	1800	1760	145JPV	TEFC	TFR	N	A	
PH	HZ	VOLTS	AMPS	START TYPE	DUTY	INSL	S.F.	AMB	ELEV.
3	60	575	2.4	LINE OR INVERTER	CONT	F	1.15	40	3300
	F.L. EFF	86.5	3/4 LD EFF	86.5	1/2 LD EFF	85.5	GTD EFF	ELECT. TYPE	
	F.L. PF	71.0	3/4 LD PF	62.0	1/2 LD PF	49.0	84.0	SQ CAGE INV RATED	
	F.L. TORQUE	LR AMPS @ 460 V	LR TORQUE	BD. TORQUE	F.L. RISE (° C)				
	6.0 LB-FT	24.4	24.5 LB-FT	408%	33.2 LB-FT	553%	45		
	@ 3 FT.	POWER	ROTOR WK²	MAX. LOAD WK²	SAFE STALL TIME	STARTS/HOUR	MOTOR WGT		
	62 DBA	71 DBA	0.14 LB-FT²	12 LB-FT²	15 SEC.	2	65 LB.		

*** SUPPLEMENTAL INFORMATION ***

DE BRACKET TYPE	ODE BRACKET TYPE	MOUNT TYPE	MOTOR ORIENTATION	SEVERE DUTY	HAZARDOUS LOCATION	DRIP COVER	SCREENS	PAINT
C-FACE	STANDARD	ROUND	ZONITAL OR SHAFT D	NO	NONE	YES	NONE	BLUE (POWDER)
BEARINGS	GREASE	SHAFT TYPE	SPECIAL DE	SPECIAL ODE	SHAFT MATERIAL	FRAME MATERIAL		
DE ODE								
BALL BALL	POL.YREX EM	JP	NONE	NONE	144 STRESSPROOF (C-22)	ROLLED STEEL		
6206	6203							
THERMOSTATS	PROTECTORS	WDG RTD's	BRG RTD's	THERMISTORS	CONTROL	SPACE HEATERS		
NONE	NOT	NONE	NONE	NONE	FALSE	NA		
R1 (ohms/ph)	R2 (ohms/ph)	X1 (ohms/ph)	X2 (ohms/ph)	Xm (ohms/ph)	VIBRATION (in/sec)	FLOAT ODE		
6.19	4.704	8.986	9.274	250.541	0.150			

* _____	INVERTER TORQUE: CONSTANT 2:1
N _____	INV. HP SPEED RANGE: NONE
O _____	ENCODER: NONE
T _____	NONE
E _____	NONE
S _____	NONE
* _____	BRAKE: NONE
	NONE
	FT-LB: NA
	VOLTAGE: NONE
	HZ: _____

PREPARED BY: EARL BABBITTS
 DATE: 13-07-17
 FORM: 3531 REV. 4 2/27/06
 UL: V-INS, CONST UL REC

Data Sheet

Date: 6/20/2017

148TFR16073

Customer:



Submital

Attention:

FAREEDA DUDEKULA

Data @ 575 V

Submitted by:

Motor Load Data

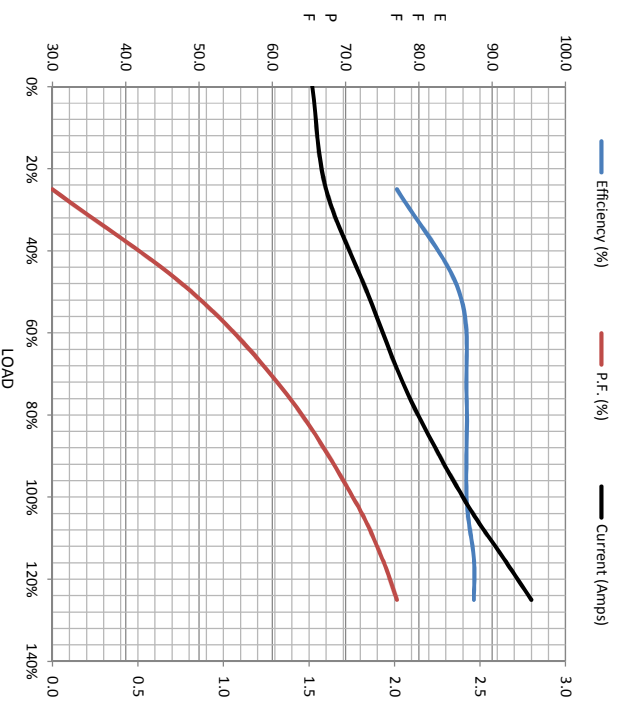
Load	0%	25%	50%	75%	100%	115%	125%	LR
Current (Amps)	1.52	1.80	1.84	2.08	2.40	2.64	2.80	24.4
Torque (ft-lb)	0.00	1.50	3.0	4.5	6.0	6.9	7.5	24.5
RPM	1800	1790	1780	1770	1760	1755	1750	0
Efficiency (%)		77.0	85.5	86.5	86.5	87.5	87.5	
P.F. (%)	7.0	30.0	49.0	62.0	71.0	75.0	77.0	71.0

Motor Speed Data

	LR	Pull-Up	BD	Rated	Idle
Speed (rpm)	0	115	1200	1760	1800
Current (Amps)	24.4	23.6	15.6	2.40	1.52
Torque (ft-lb)	24.5	23.7	33.2	6.0	0.00

Information Block

HP	2.0
Sync. RPM	1800
Frame	145
Enclosure	TEFC
Construction	TFR
Voltage	575 V
Frequency	60 HZ
Design	A
LR Code letter	N
Service Factor	1.15
Temp Rise @ FL	45 °C
Duty	CONT
Ambient	40 °C
Elevation	1,000 feet
Rotor/Shaft wkt	0.14 Lb-Fe
Rel Wdg	Z14255 FR
Sound Pressure @ 1M	62 dBA
VFD Rating	CONSTANT 2:1
Outline Dwg	B-100659-956
Conn. Diag	A-EE7300
Additional Specifications:	
0	
EQUIV CKT (OHMS/ PHASE)	
R1	R2
6.1900	4.7040
X1	X2
8.9860	9.2740
Xm	Xm
	250.5410



Speed - Torque Curve

