

PRODUCT INFORMATION PACKET

Model No: 184THFW7736
Catalog No: Y373A
5,1800,TEFC,184TC,3/60/575
1000:1 Speed Ratio



Regal and Marathon are trademarks of Regal Beloit Corporation or one of its affiliated companies.

©2018 Regal Beloit Corporation, All Rights Reserved. MC017097E





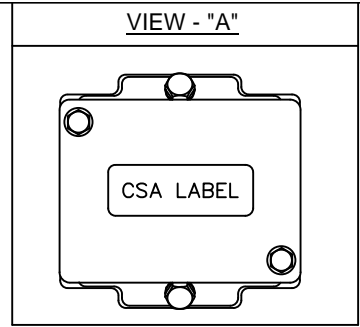
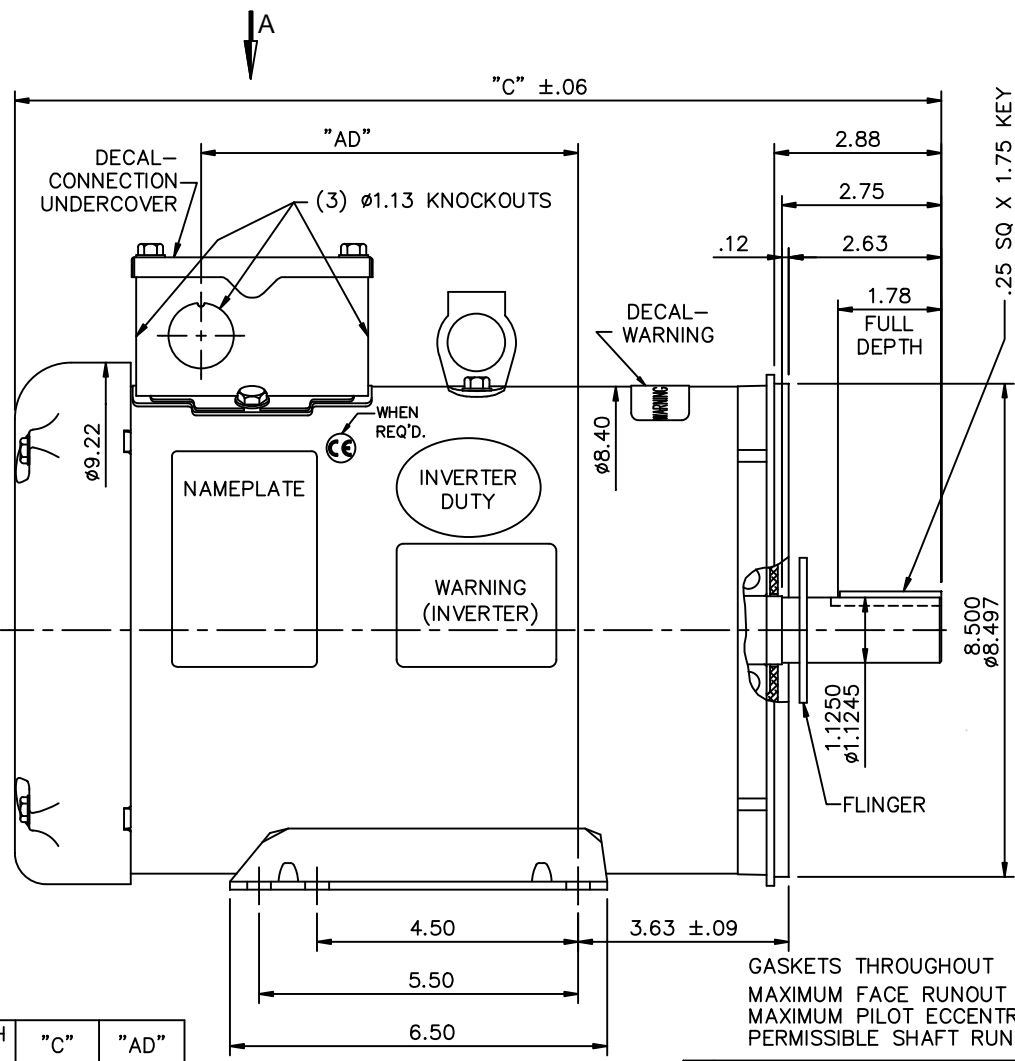
Nameplate Specifications

Output HP	5 Hp	Output KW	3.7 kW
Frequency	60 Hz	Voltage	575 V
Current	5.2 A	Speed	1760 rpm
Service Factor	1	Phase	3
Efficiency	87.5 %	Duty	Continuous
Insulation Class	H	Design Code	INV
KVA Code	J	Frame	184TC
Enclosure	Totally Enclosed Fan Cooled	Overload Protector	No
Ambient Temperature	40 °C	Drive End Bearing Size	6206
Opp Drive End Bearing Size	6205	UL	Recognized
CSA	Y	CE	Y
IP Code	43		

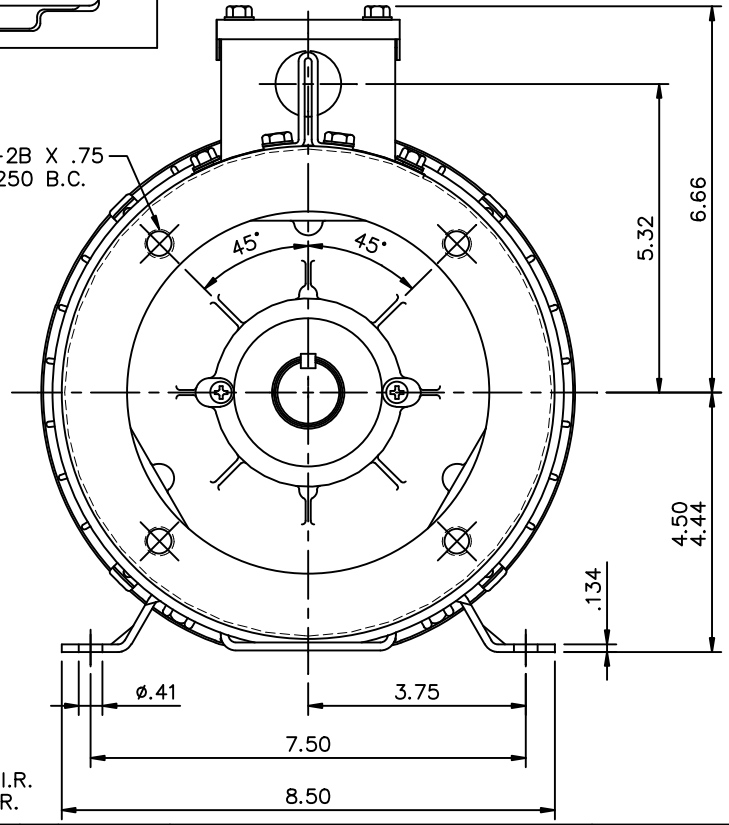
Technical Specifications

Electrical Type	Squirrel Cage Inverter Duty	Starting Method	Inverter Only
Poles	4	Rotation	Reversible
Mounting	Bolt-on Base	Motor Orientation	Horizontal
Drive End Bearing	Ball	Opp Drive End Bearing	Ball
Frame Material	Rolled Steel	Shaft Type	T
Overall Length	13.97 in	Frame Length	8.50 in
Shaft Diameter	1.125 in	Shaft Extension	2.87 in
Assembly/Box Mounting	F3		
Outline Drawing	035651-850	Connection Diagram	005102.01ME

This is an uncontrolled document once printed or downloaded and is subject to change without notice. Date Created: 06/29/2018



(4) 1/2-13 UNC-2B X .75 DEEP ON A ø7.250 B.C.

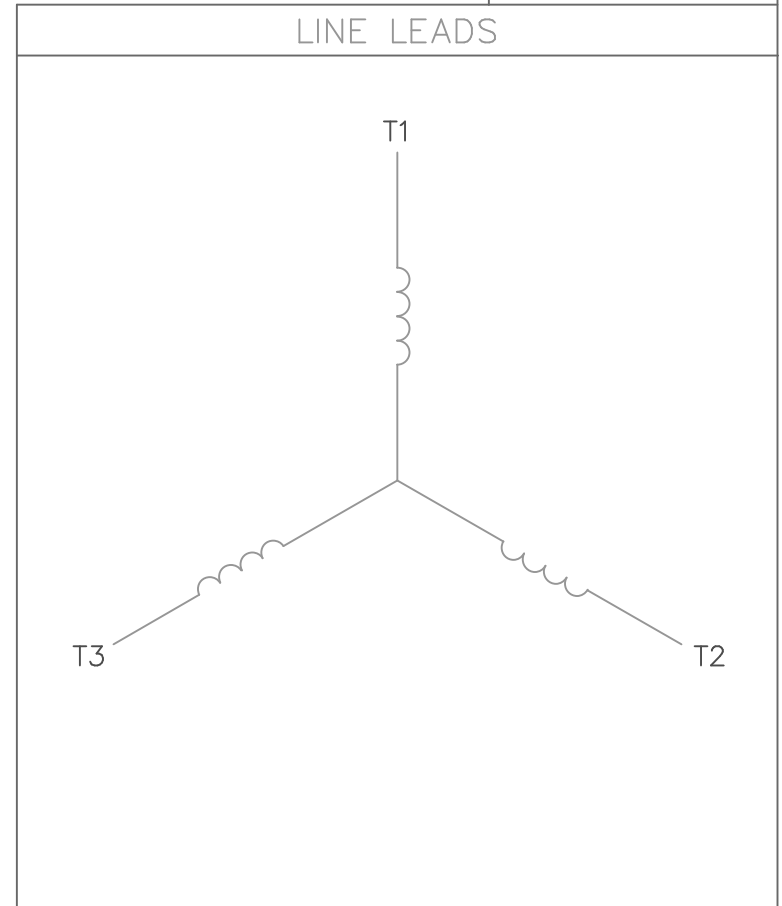
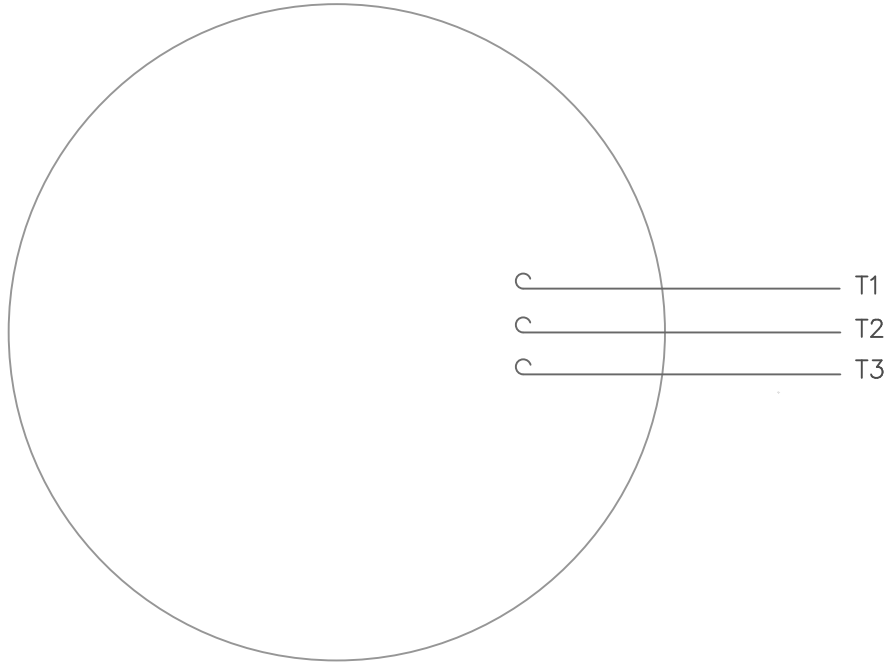


GASKETS THROUGHOUT
 MAXIMUM FACE RUNOUT TO BE .004 T.I.R.
 MAXIMUM PILOT ECCENTRICITY TO BE .004 T.I.R.
 PERMISSIBLE SHAFT RUNOUT TO BE .002 T.I.R.

DASH NO.	"C"	"AD"
850	13.97	4.50
900	14.47	5.00
950	14.97	5.50
1000	15.47	6.00
1050	15.97	6.50
1100	16.47	7.00
1150	16.97	7.50
1200	17.47	8.00

NO.		REVISION	BY & DATE	CHK	ANG	±1/2'	FINISH	BOLT-ON BASE	SIZE	DRAWING NO.	REV.
THIS DRAWING IN DESIGN AND DETAIL IS OUR PROPERTY AND MUST NOT BE USED EXCEPT IN CONNECTION WITH OUR WORK ALL RIGHTS OF DESIGN AND INVENTION ARE RESERVED THIS IS AN ELECTRONICALLY GENERATED DOCUMENT - DO NOT SCALE THIS PRINT											
TOLERANCES UNLESS SPECIFIED DEC. INCHES .X ±.1 .XX ±.03 .XXX ±.005 .XXXX ±.0005									DRAWN KVN 04/08/2008 CHK APPD TITLE OUTLINE- 180T FRAME TEFC - RIGID "C" SCALE 3=8 REF 035522 FMF 1841HFW7726 PREV		
RFP CAD FILE 035651 DIST							B		035651		035651

VIEW FROM OUTSIDE OF MOTOR AT SWITCH END.



CONNECT LEADS AS FOLLOWS
FOR FOUR CONDUCTOR CORD ()

CORD	L1 (RED)	L2 (WHITE)	L3 (BLACK)	(GREEN)
MOTOR	T1	T2	T3	GROUND

				TOLERANCES UNLESS SPECIFIED			DRAWN RDW 5/1/02		
				DEC.	INCHES		CHK		
				.X	±.1		APPD		
				.XX	±.01		SCALE 1=1		
				.XXX	±.005		REF		
				.XXXX	±.0005	MAT'L. DECAL - 004169	FMF		
NO.	REVISION	BY & DATE	CHK	ANG	±1/2'	FINISH	PREV		
THIS DRAWING IN DESIGN AND DETAIL IS OUR PROPERTY AND MUST NOT BE USED EXCEPT IN CONNECTION WITH OUR WORK ALL RIGHTS OF DESIGN AND INVENTION ARE RESERVED THIS IS AN ELECTRONICALLY GENERATED DOCUMENT - DO NOT SCALE THIS PRINT				RFP	5/1/02	CAD FILE 00510201ME	SIZE A	DRAWING NO. 005102-01ME	REV.
				DIST					

CERTIFICATION DATA SHEET

Model#: 184THFW7736 AA WINDING#: T84178 R1 5
 CONN. DIAGRAM: 005102.01ME ASSEMBLY: F3
 OUTLINE: 035651-850

TYPICAL MOTOR PERFORMANCE DATA

HP	KW	SYNC. RPM	F.L. RPM	FRAME	ENCLOSURE	KVA CODE	DESIGN
5	3.70	1800	1760	184TC	TEFC	J	INV

PH	Hz	VOLTS	FL AMPS	START TYPE	DUTY	INSL	S.F	AMB°C	ELEVATION
3	60	575	5.2	INVERTER ONLY	CONTINUOUS	H3	1.0	40	3300

FULL LOAD EFF: 87.5	3/4 LOAD EFF: 88.6	1/2 LOAD EFF: 87.7	GTD. EFF	ELEC. TYPE	NO LOAD AMPS
FULL LOAD PF: 81.6	3/4 LOAD PF: 76.7	1/2 LOAD PF: 66.2	0	SQ CAGE INV DUTY	2.2

F.L. TORQUE	LOCKED ROTOR AMPS	L.R. TORQUE	B.D. TORQUE	F.L. RISE°C
15 LB-FT	37.9	29.2 LB-FT 195	48.6 LB-FT 324	70

SOUND PRESSURE @ 3 FT.	SOUND POWER	ROTOR WK^2	MAX. WK^2	SAFE STALL TIME	STARTS /HOUR	APPROX. MOTOR WGT
- dBA	- dBA	0.357 LB-FT^2	- LB-FT^2	10 SEC.	-	0 LBS.

EQUIVALENT WYE CKT.PARAMETERS (OHMS PER PHASE)

R1	R2	X1	X2	XM
0	0	0	0	0

RM	ZREF	XR	TD	TD0
0	0	0	0	0

*** SUPPLEMENTAL INFORMATION ***

DE BRACKET TYPE	ODE BRACKET TYPE	MOUNT TYPE	ORIENTATION	SEVERE DUTY	HAZARDOUS LOCATION	DRIP COVER	SCREENS	PAINT
C-FACE	STANDARD	BOLT-ON	HORIZONTAL	FALSE	NONE	FALSE	NONE	BLACK (ENAMEL)

BEARINGS		GREASE	SHAFT TYPE	SPECIAL DE	SPECIAL ODE	SHAFT MATERIAL	FRAME MATERIAL
DE	OPE						
BALL	BALL	POLYREX EM	T	NONE	NONE	AISI 1045 (C-240)	ROLLED STEEL
6206	6205						

THERMO-PROTECTORS				THERMISTORS	CONTROL	SPACE /n HEATERS
THERMOSTATS	PROTECTORS	WDG RTDs	BRG RTDs			
NONE	NOT	NONE	NONE	NONE	FALSE	NONE VOLTS

If Inverter equals NONE, contact factory for further information

INVERTER TORQUE: CONSTANT 20:1
INV. HP SPEED RANGE: 2.0 X BASE SPEED
ENCODER: NONE
NONE NONE
NONE NONE PPR
BRAKE: NONE NONE
NONE P/N NONE

*
N
O
T
E
S
*

NONE	NONE		
NONE FT-LB	NONE V	NONE Hz	

DATE: 06/28/2017 06:20:19 AM
FORM 3531 REV.3 02/07/99
** Subject to change without notice.