

PRODUCT INFORMATION PACKET

Model No: 184TTDW16310
Catalog No: E163B
7 1/2,3600,DP,184JMV,3/60/230/460
JM



Regal and Marathon are trademarks of Regal Beloit Corporation or one of its affiliated companies.
©2018 Regal Beloit Corporation, All Rights Reserved. MC017097E





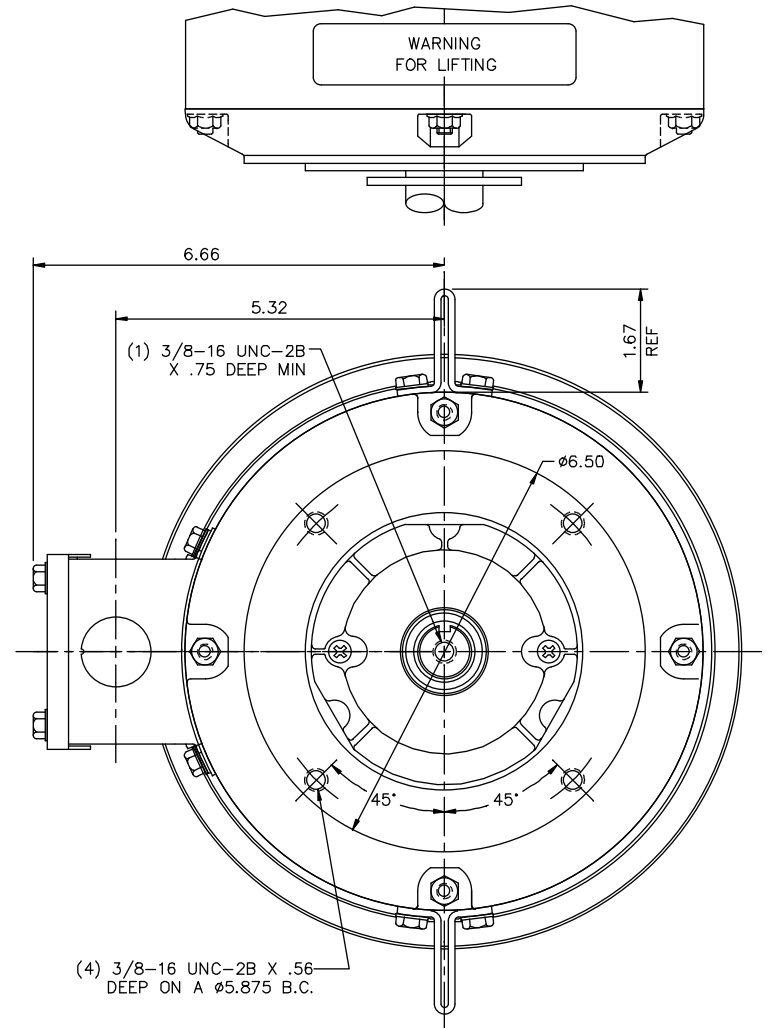
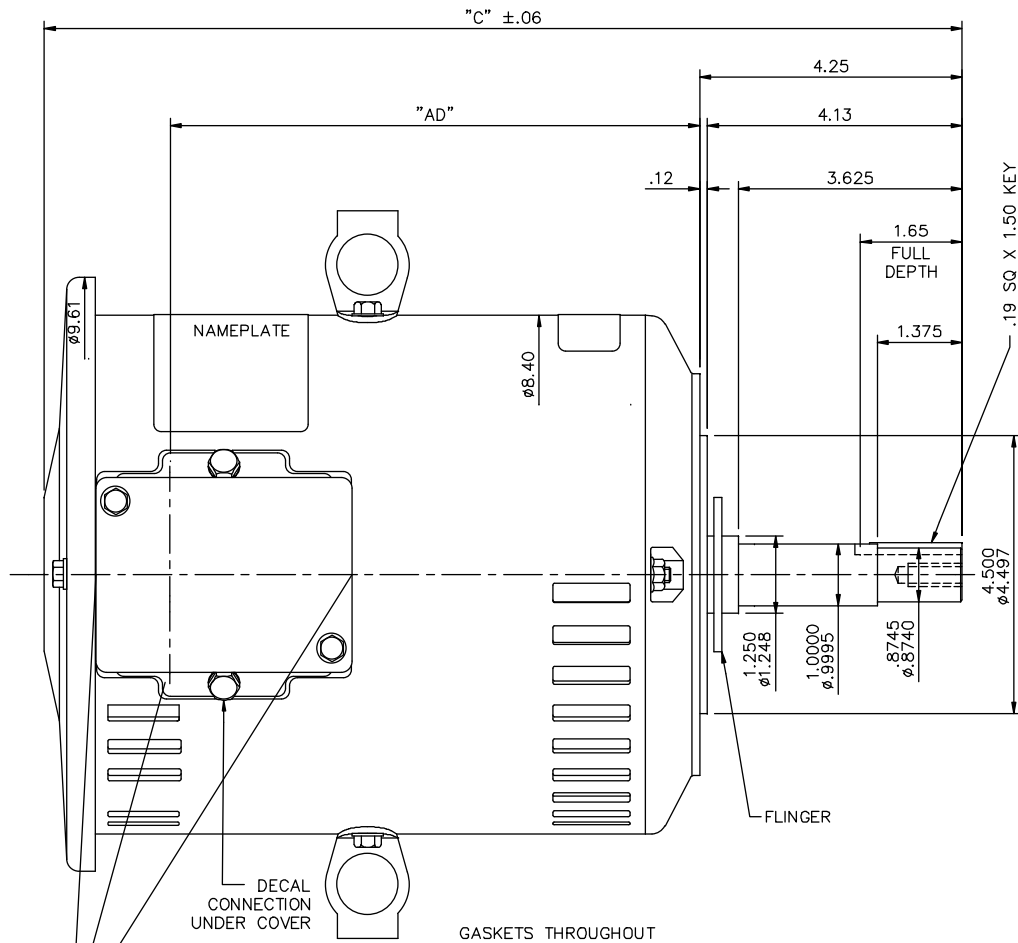
Nameplate Specifications

Output HP	7.50 Hp	Output KW	5.6 kW
Frequency	60 Hz	Voltage	230/460 V
Current	17.8/8.9 A	Speed	3490 rpm
Service Factor	1.15	Phase	3
Efficiency	88.5 %	Duty	Continous
Insulation Class	F	Design Code	A
KVA Code	J	Frame	184JMV
Enclosure	Drip Proof	Overload Protector	No
Ambient Temperature	40 °C	Drive End Bearing Size	6207
Opp Drive End Bearing Size	6205	UL	Recognized
CSA	Y	CE	Y
IP Code	22		

Technical Specifications

Electrical Type	Squirrel Cage Induction Run	Starting Method	Across The Line
Poles	2	Rotation	Selective Clockwise
Mounting	Round	Motor Orientation	Shaft Down
Drive End Bearing	Ball	Opp Drive End Bearing	Ball
Frame Material	Rolled Steel	Shaft Type	JM
Overall Length	17.12 in	Frame Length	10.50 in
Shaft Diameter	0.875 in	Shaft Extension	4.25 in
Assembly/Box Mounting	F1 Only		
Outline Drawing	035568-1050	Connection Diagram	005010.01

This is an uncontrolled document once printed or downloaded and is subject to change without notice. Date Created: 06/29/2018



MAXIMUM FACE RUNOUT TO BE .004 T.I.R.
 MAXIMUM PILOT ECCENTRICITY TO BE .004 T.I.R.
 PERMISSIBLE SHAFT RUNOUT TO BE .004 T.I.R.

DASH NO.	"C"	"AD"
850	15.12	8.07
900	15.62	8.57
950	16.12	9.07
1000	16.62	9.57
1050	17.12	10.07
1100	17.62	10.57
1150	18.12	11.07

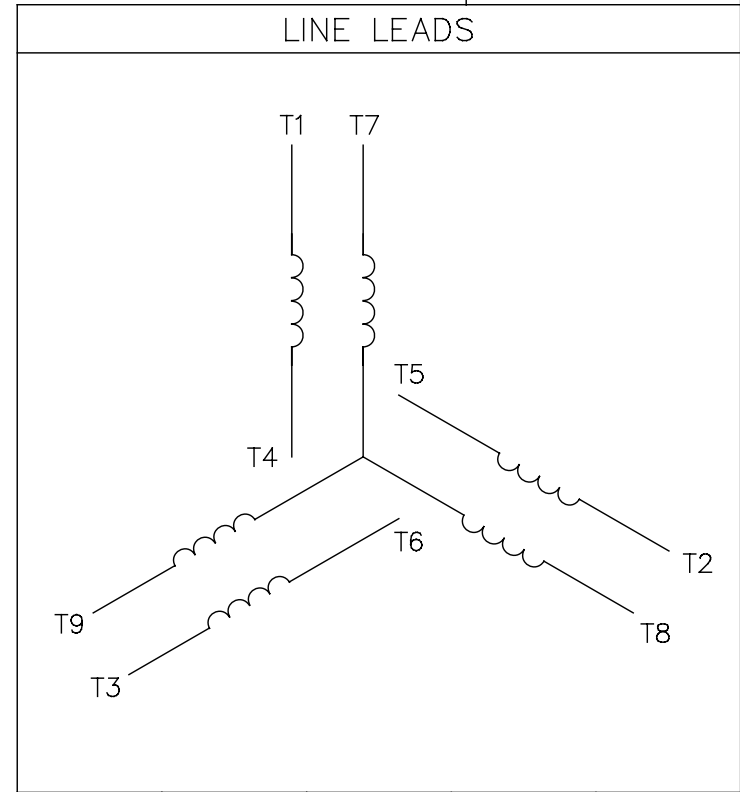
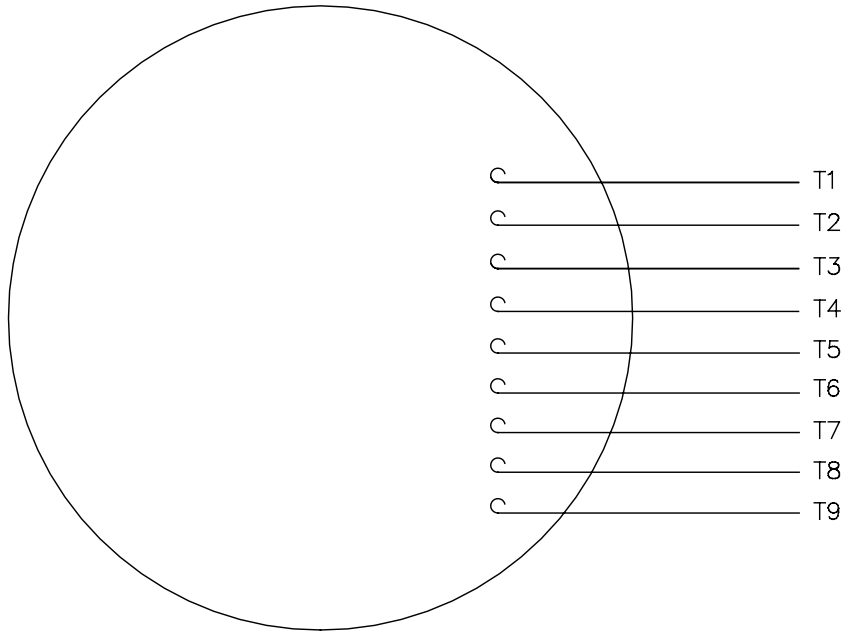
NO.	REVISION	BY & DATE	CHK	ANG	TOLERANCES UNLESS SPECIFIED	
					DEC.	INCHES
01	KEY NOTE UPDATED	GR 04/03/13	SR	.XXXX	±.0005	MAT'L
			RFP		±1/2'	FINISH
			DIST			

MARATHON ELECTRIC		DRAWN VV 17/09/07
TITLE OUTLINE- 180QM FRAME DRIP PROOF- "C" FACE- JM PUMP		CHK
CAD FILE 035568		APPD YES 17/09/07
SIZE B		SCALE 1=2
DRAWING NO. 035568		REF 035547
REV. 01		FMF 184TTDW7325
		PREV

THIS DRAWING IN DESIGN AND DETAIL IS OUR PROPERTY AND MUST NOT BE USED EXCEPT IN CONNECTION WITH OUR WORK ALL RIGHTS OF DESIGN AND INVENTION ARE RESERVED THIS IS AN ELECTRONICALLY GENERATED DOCUMENT - DO NOT SCALE THIS PRINT

005010-01

VIEW FROM OUTSIDE OF MOTOR AT SWITCH END.



VOLTAGE	L1	L2	L3	JOIN & INSULATE
HIGH	T1	T2	T3	(T4,T7) (T5,T8) (T6,T9)
LOW	T1,T7	T2,T8	T3,T9	T4,T5,T6

				TOLERANCES UNLESS SPECIFIED		Regal Beloit America, Inc.		DRAWN RDW 04/12/02				
				DEC.	INCHES			CHK				
				.X	±.1			APPD				
				.XX	±.01			SCALE 1=1				
				.XXX	±.005	TITLE		REF FIG.2-51				
A	UPDATED TO REGAL LOGO			SAJ	06/26/15	AJY	.XXXX	±.0005	MAT'L.	DECAL - 004014	FMF	
NO.	REVISION			BY & DATE	CHK	ANG	±1/2"	FINISH	PREV			
THIS DRAWING IN DESIGN AND DETAIL IS OUR PROPERTY AND MUST NOT BE USED EXCEPT IN CONNECTION WITH OUR WORK ALL RIGHTS OF DESIGN AND INVENTION ARE RESERVED THIS IS AN ELECTRONICALLY GENERATED DOCUMENT - DO NOT SCALE THIS PRINT				RFP	04/12/02		CAD FILE	00501001		SIZE	DRAWING NO.	REV.
				DIST	BRF-NLV			A	005010-01		A	

