

# PRODUCT INFORMATION PACKET

Model No: 184TTFS6505  
Catalog No: E655  
5,3600,TEFC,184T,3/60/575  
Severe Duty



Regal and Marathon are trademarks of Regal Beloit Corporation or one of its affiliated companies.  
©2018 Regal Beloit Corporation, All Rights Reserved. MC017097E



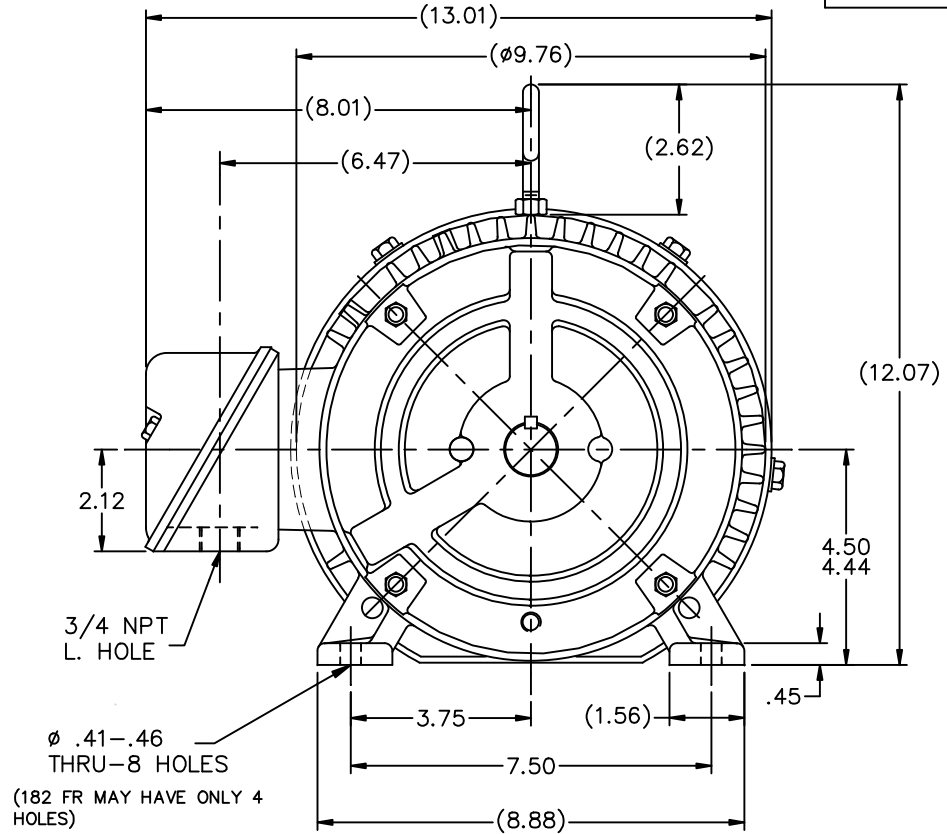
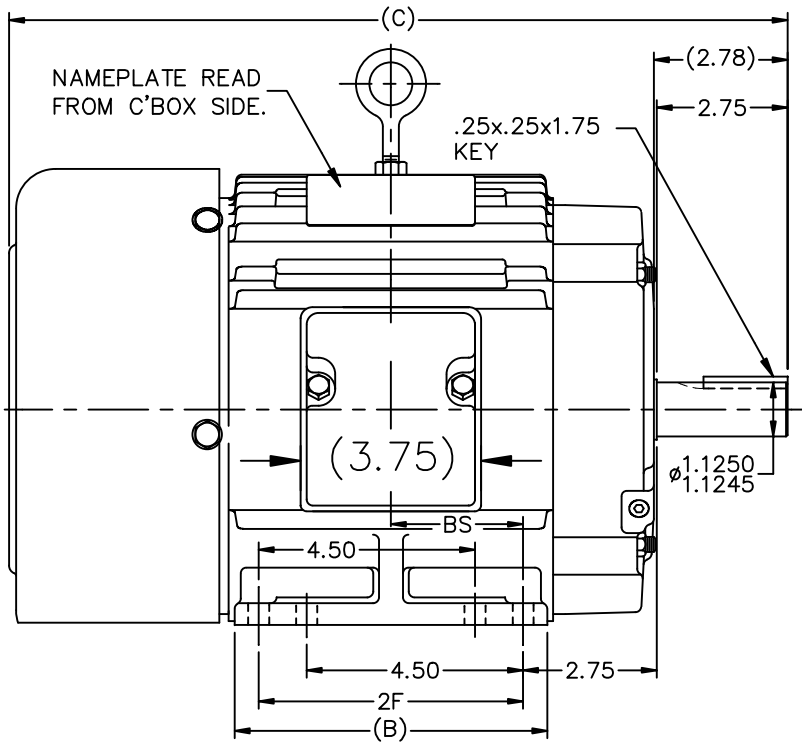
### Nameplate Specifications

Output HP	<b>5 Hp</b>	Output KW	<b>3.7 kW</b>
Frequency	<b>60 Hz</b>	Voltage	<b>575 V</b>
Current	<b>4.8 A</b>	Speed	<b>3505 rpm</b>
Service Factor	<b>1.15</b>	Phase	<b>3</b>
Efficiency	<b>88.5 %</b>	Duty	<b>Continuous</b>
Insulation Class	<b>F</b>	Design Code	<b>B</b>
KVA Code	<b>J</b>	Frame	<b>184T</b>
Enclosure	<b>Totally Enclosed Fan Cooled</b>	Overload Protector	<b>No</b>
Ambient Temperature	<b>40 °C</b>	Drive End Bearing Size	<b>6206</b>
Opp Drive End Bearing Size	<b>6205</b>	UL	<b>Recognized</b>
CSA	<b>Y</b>	CE	<b>Y</b>
IP Code	<b>54</b>		

### Technical Specifications

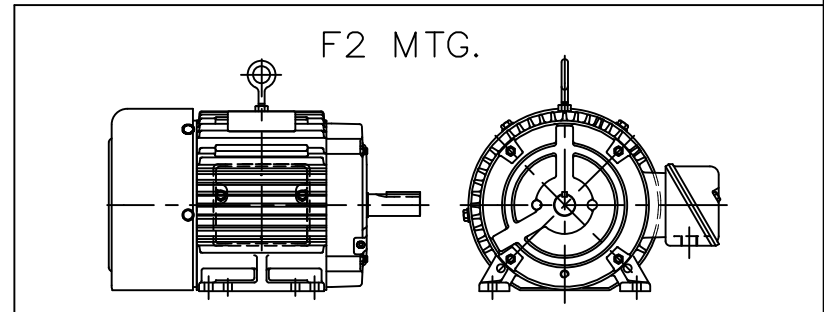
Electrical Type	<b>Squirrel Cage Inverter Rated</b>	Starting Method	<b>Line Or Inverter</b>
Poles	<b>2</b>	Rotation	<b>Reversible</b>
Mounting	<b>Rigid base</b>	Motor Orientation	<b>Horizontal</b>
Drive End Bearing	<b>Ball</b>	Opp Drive End Bearing	<b>Ball</b>
Frame Material	<b>Cast Iron</b>	Shaft Type	<b>T</b>
Overall Length	<b>16.19 in</b>	Frame Length	<b>6.75 in</b>
Shaft Diameter	<b>1.125 in</b>	Shaft Extension	<b>2.78 in</b>
Assembly/Box Mounting	<b>F1/F2 Capable</b>		
Outline Drawing	<b>A-SS63661-675</b>	Connection Diagram	<b>A-EE7300</b>

This is an uncontrolled document once printed or downloaded and is subject to change without notice. Date Created: 06/29/2018



BOX CAN BE MOUNTED ON OPPOSITE SIDE BY REMOVING BRACKETS & TURNING FRAME 180°.

BOX CAN BE ROTATED IN 90° STEPS.



DASH	FR.	C	B	2F	BS
575	182T	15.19	5.50	4.50	2.25
675	184T	16.19	6.50	5.50	2.75
800	184T	17.44	7.75	5.50	3.38

NO.	REVISION	BY & DATE	CHK	ANG	±7'30"
13	CHG COND. BOX DIM, WAS 5.00 NOW 3.75 ECN 18821	TF 01/31/2011	EMH		
12	REDRAWN IN AUTOCAD	TAT 06-29-2004	ML	DEC.	INCHES
11	UPDATED MOUNTING HOLE NOTE CN 26000-581	DRS 01-02-2002	ML	.X	±.1
10	ADDED 182 FR. MAY HAV... NOTE CN 26000-581	MRB 07-02-1998		.XX	±.03
9	ADDED 4 MOUNTING HOLES	MJD 06-09-1998		.XXX	±.005
8	ADDED NEMA "O" DIMENSION	MRB 09-12-1996		.XXXX	±.0005

TOLERANCES UNLESS SPECIFIED	INCHES
EMH	DEC.
ML	.X
	.XX
	.XXX
	.XXXX
CHK	ANG
RFP	
DIST	LB

**MARATHON ELECTRIC**

TITLE OUTLINE  
180 FR. - BB - TS - TEFC

MAT'L.  
FINISH

CAD FILE ss63661

DRAWN	RM 01-08-1993
CHK	ML 01-13-1993
APPD	GK 01-13-1993
SCALE	1=4
REF	
FMF	
PREV	
SIZE	DRAWING NO. PAGE OF REV.
A	SS63661 13

**THREE PHASE - SINGLE VOLTAGE  
MOTOR - CONDUIT BOX @ 'A'**

**TO REVERSE ROTATION:  
INTERCHANGE ANY TWO  
LINE LEAD CONNECTIONS.**

**TERMINAL BLOCK WHEN SPECIFIED**



**VIEW OF TERMINAL END**

**IF MOTOR HAS  
6 LEADS**



A-9806 DECAL

**OPTIONAL CORD  
CONNECTION**

- L1 \_\_\_\_\_ WHITE \_\_\_\_\_
- L2 \_\_\_\_\_ RED \_\_\_\_\_
- L3 \_\_\_\_\_ BLACK \_\_\_\_\_

DRAWING REVISION AB	REVISION BY JJB	DATE 06-27-2017
ECO ECO-0125361	APPROVED BY TB	DATE 06-27-2017
ECO DESCRIPTION <b>UPDATED TO CURRENT STANDARDS</b>		
<small>COPYRIGHT REGAL BELOIT AMERICA, INC. ALL RIGHTS RESERVED.                  PROPRIETARY AND CONFIDENTIAL INFORMATION - THIS DOCUMENT IS THE PROPERTY OF                  REGAL BELOIT AMERICA, INC. ("OWNER") AND CONTAINS OWNER'S PROPRIETARY                  INFORMATION. ANY PERSON, CORPORATION OR OTHER FIRM RECEIVING IT IS DEEMED,                  BY RECEIVING IT, TO AGREE THAT IT, AND/OR ANY PART OF IT, SHALL NOT BE DISCLOSED                  TO ANY PERSON, CORPORATION OR OTHER ENTITY, DUPLICATED, AND/OR USED, EXCEPT                  AS EXPRESSLY APPROVED IN WRITING IN ADVANCE BY OWNER. THIS DOCUMENT SHALL                  BE RETURNED TO OWNER UPON REQUEST. IT MAY BE SUBJECT TO CERTAIN                  RESTRICTIONS UNDER APPLICABLE EXPORT CONTROL LAWS AND REGULATIONS.</small>		



DRAWN BY DA
DATE 03-26-1993
APPROVED BY TB
DATE 03-26-1993
REFERENCE
THIRD ANGLE PROJECTION

Regal Beloit America, Inc.		
		DESCRIPTION <b>CONNECTION DIAGRAM</b> EXTERNAL - SINGLE VOLTAGE - 3Ø MOTOR
MATERIAL	PROCESS/FINISH	
SIZE <b>A</b>	DRAWING NUMBER <b>EE7300</b>	SHEET 1 OF 1

CERTIFICATION DATA SHEET

Model#: 184TTF6505 BT WINDING#: 1842116 NONE 8
CONN. DIAGRAM: A-EE7300 ASSEMBLY: F1/F2 CAPABLE
OUTLINE: A-SS63661-675

TYPICAL MOTOR PERFORMANCE DATA

Table with multiple rows and columns detailing motor performance: HP, KW, SYNC. RPM, F.L. RPM, FRAME, ENCLOSURE, KVA CODE, DESIGN, PH, Hz, VOLTS, FL AMPS, START TYPE, DUTY, INSL, S.F, AMB°C, ELEVATION, FULL LOAD EFF, 3/4 LOAD EFF, 1/2 LOAD EFF, GTD. EFF, ELEC. TYPE, NO LOAD AMPS, F.L. TORQUE, LOCKED ROTOR AMPS, L.R. TORQUE, B.D. TORQUE, F.L. RISE°C, SOUND PRESSURE @ 3 FT., SOUND POWER, ROTOR WK^2, MAX. WK^2, SAFE STALL TIME, STARTS /HOUR, APPROX. MOTOR WGT.

\*\*\* SUPPLEMENTAL INFORMATION \*\*\*

Supplemental information table with columns: DE BRACKET TYPE, ODE BRACKET TYPE, MOUNT TYPE, ORIENTATION, SEVERE DUTY, HAZARDOUS LOCATION, DRIP COVER, SCREENS, PAINT, BEARINGS (DE, OPE), GREASE, SHAFT TYPE, SPECIAL DE, SPECIAL ODE, SHAFT MATERIAL, FRAME MATERIAL, THERMO-PROTECTORS (THERMOSTATS, PROTECTORS, WDG RTDs, BRG RTDs), THERMISTORS, CONTROL, SPACE /n HEATERS.

If Inverter equals NONE, contact factory for further information

Table with technical specifications: INVERTER TORQUE: CONSTANT 20:1, INV. HP SPEED RANGE: 1.5 X BASE SPEED, ENCODER: NONE, BRAKE: NONE, NONE FT-LB, NONE V, NONE Hz.

\*
N
O
T
E
S
\*

DATE: 06/28/2017 07:25:25 AM
FORM 3531 REV.3 02/07/99
\*\* Subject to change without notice.

Data Sheet

184TTFS6505



**Submital**  
Data @ 575 V

Date: 6/16/2017

Customer:

Attention:

Submitted by:

EARL BABBITTS

Motor Load Data

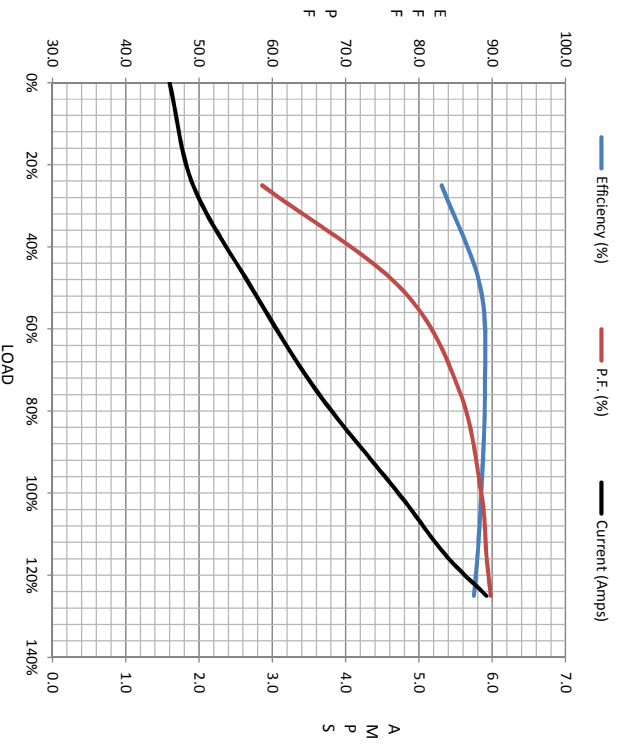
Load	0%	25%	50%	75%	100%	115%	125%	LR
Current (Amps)	1.60	1.92	2.72	3.6	4.7	5.4	5.9	32.4
Torque (ft-lb)	0.00	1.80	3.7	5.5	7.5	8.6	9.4	12.0
RPM	3600	3580	3560	3535	3505	3490	3480	0
P.F. (%)	11.5	83.1	88.4	89.0	88.5	88.0	87.5	81.0
		58.6	77.5	85.5	88.5	89.2	89.8	41.0

Motor Speed Data

	LR	Pull-Up	BD	Rated	Idle
Speed (rpm)	0	1800	3000	3505	3600
Current (Amps)	32.4	29.6	20.4	4.7	1.60
Torque (ft-lb)	12.0	10.5	22.0	7.5	0.00

Information Block

HP	5.0			
Sync. RPM	3600			
Frame	184			
Enclosure	TFC			
Construction	TFS			
Voltage	575 V			
Frequency	60 Hz			
Design	B			
LR Code letter	J			
Service Factor	1.15			
Temp Rise @ FL	50 °C			
Duty	CONT			
Ambient	40 °C			
Elevation	1,000 feet			
Rotor/Shaft wkt	0.30 Lb-Fe			
Ret Wdg	1842116 NONE			
Sound Pressure @ 1M	72 dBA			
VFD Rating	CONSTANT 20:1			
Outline Dwg	A-SS63661-675			
Conn. Diag	A-EE7300			
Additional Specifications:				
0				
EQUIV CKT (OHMS / PHASE)				
R1	R2	X1	X2	Xm
2.1740	1.7660	7.5170	2.8840	195.2500



Speed - Torque Curve

