

PRODUCT INFORMATION PACKET

Model No: 184TTFW16013
Catalog No: C238C
7 1/2,3600,TEFC,184TC,3/60/230/460
Totally Enclosed Fan Cooled (TEFC)



Regal and Marathon are trademarks of Regal Beloit Corporation or one of its affiliated companies.
©2018 Regal Beloit Corporation, All Rights Reserved. MC017097E

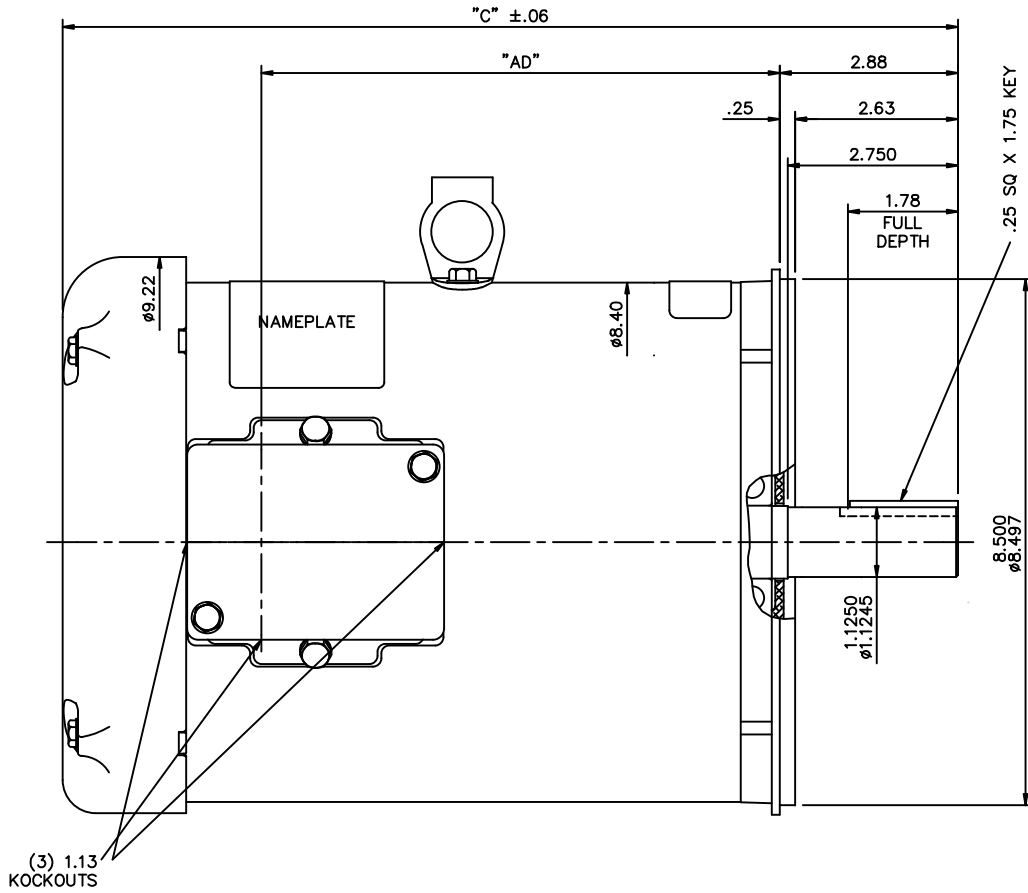


Nameplate Specifications

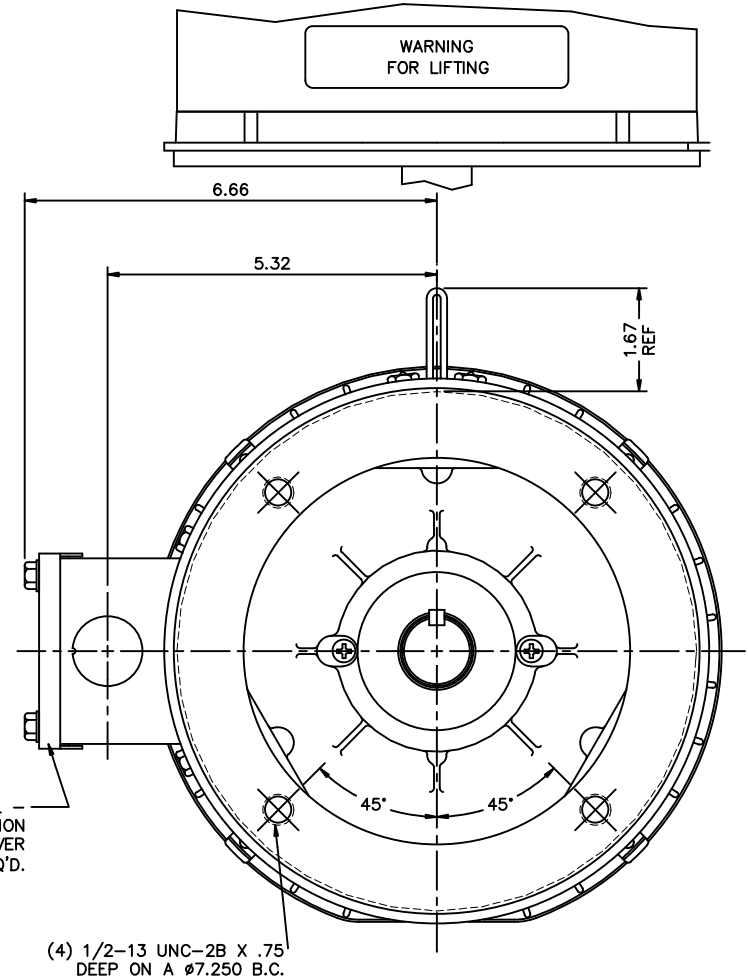
Output HP	7.50 Hp	Output KW	5.6 kW
Frequency	60 Hz	Voltage	208-230/460 V
Current	19.2-17.6/8.8 A	Speed	3510 rpm
Service Factor	1	Phase	3
Efficiency	90.1 %	Duty	Continuous
Insulation Class	F	Design Code	A
KVA Code	L	Frame	184TC
Enclosure	Totally Enclosed Fan Cooled	Overload Protector	No
Ambient Temperature	40 °C	Drive End Bearing Size	6206
Opp Drive End Bearing Size	6205	UL	Recognized
CSA	Y	CE	Y
IP Code	43		

Technical Specifications

Electrical Type	Squirrel Cage Induction Run	Starting Method	Across The Line
Poles	2	Rotation	Reversible
Mounting	Round	Motor Orientation	Horizontal
Drive End Bearing	Ball	Opp Drive End Bearing	Ball
Frame Material	Rolled Steel	Shaft Type	T
Overall Length	15.97 in	Frame Length	10.50 in
Shaft Diameter	1.125 in	Shaft Extension	2.88 in
Assembly/Box Mounting	F1 Only		
Outline Drawing	035570-1050	Connection Diagram	005010.01ME



DECAL - CONNECTION UNDER COVER WHEN REQ'D.



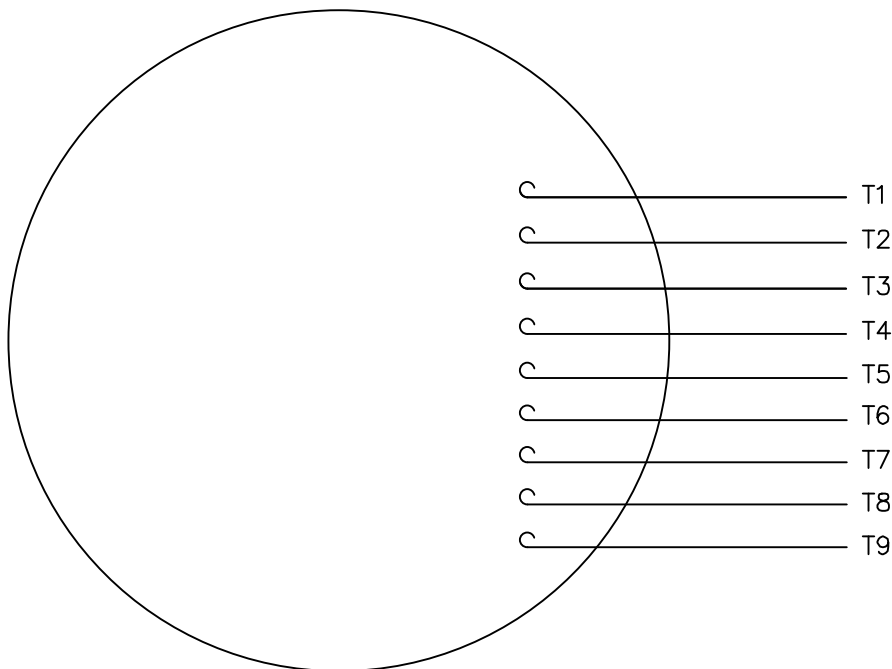
GASKETS THROUGHOUT
 MAXIMUM FACE RUNOUT TO BE .004 T.I.R.
 MAXIMUM PILOT ECCENTRICITY TO BE .004 T.I.R.
 PERMISSIBLE SHAFT RUNOUT TO BE .002 T.I.R.

DASH NO.	"C"	"AD"
750	12.97	6.88
800	13.47	7.38
850	13.97	7.88
900	14.47	8.38
950	14.97	8.88
1000	15.47	9.38
1050	15.97	9.88
1100	16.47	10.38
1150	16.97	10.88


NO.		REVISION	BY & DATE	CHK	ANG	±1/2"	FINISH
THIS DRAWING IN DESIGN AND DETAIL IS OUR PROPERTY AND MUST NOT BE USED EXCEPT IN CONNECTION WITH OUR WORK ALL RIGHTS OF DESIGN AND INVENTION ARE RESERVED THIS IS AN ELECTRONICALLY GENERATED DOCUMENT - DO NOT SCALE THIS PRINT				RFP			CAD FILE
				DIST	NLV		

		DRAWN VV 09/17/07 CHK YS 09/17/07 APPD SCALE 1=2 REF 035537 FMF PREV
TITLE OUTLINE - 180TC FRAME TEFC - "C" FACE GENERAL PURPOSE		DRAWING NO. 035570 SIZE B
CAD FILE 035570		REV.

VIEW FROM OUTSIDE OF MOTOR AT SWITCH END.



VOLTAGE	L1	L2	L3	JOIN & INSULATE
HIGH	T1	T2	T3	(T4,T7) (T5,T8) (T6,T9)
LOW	T1,T7	T2,T8	T3,T9	T4,T5,T6

		TOLERANCES UNLESS SPECIFIED		 MARATHON ELECTRIC DRAWN RDW 04/12/02 CHK APPD						
		DEC.	INCHES			TITLE	SCALE 1=1			
		.X	±.1	EXTERNAL WIRING DIAGRAM 3 PHASE W/O PROTECTOR	REF FIG.2-51					
		.XX	±.01		MAT'L. DECAL - 004014	FMF				
		.XXX	±.005			PREV				
		.XXXX	±.0005							
NO.	REVISION	BY & DATE	CHK	ANG	±1/2'	FINISH	SIZE	DRAWING NO.	REV.	
			RFP	04/12/02		CAD FILE	00501001ME	A	005010-01ME	
			DIST							

THIS DRAWING IN DESIGN AND DETAIL IS OUR PROPERTY AND MUST NOT BE USED EXCEPT IN CONNECTION WITH OUR WORK ALL RIGHTS OF DESIGN AND INVENTION ARE RESERVED THIS IS AN ELECTRONICALLY GENERATED DOCUMENT - DO NOT SCALE THIS PRINT

CERTIFICATION DATA SHEET

Model#: 184TTFW16013 AA **WINDING#:** T82153 FR 3
CONN. DIAGRAM: 005010.01ME **ASSEMBLY:** F1 ONLY
OUTLINE: 035570-1050

TYPICAL MOTOR PERFORMANCE DATA

HP	KW	SYNC. RPM	F.L. RPM	FRAME	ENCLOSURE	KVA CODE	DESIGN
7 1/2&5	5.6&3.7	3600	3510&2925	184TC	TEFC	L	A

PH	Hz	VOLTS	FL AMPS	START TYPE	DUTY	INSL	S.F	AMB°C	ELEVATION
3	60/50	208- 230/460#190/ 380	19.2- 17.6/8.8&15/7. 5	ACROSS THE LINE	CONTINUOU S	F4	1.0/1.0	40	3300

FULL LOAD EFF: 90.1&90.2	3/4 LOAD EFF: 91.2	1/2 LOAD EFF: 90.8	GTD. EFF	ELEC. TYPE	NO LOAD AMPS
FULL LOAD PF: 88.4&85.5	3/4 LOAD PF: 84.2	1/2 LOAD PF: 75.2	87.5	SQ CAGE IND RUN	6 / 3

F.L. TORQUE	LOCKED ROTOR AMPS	L.R. TORQUE	B.D. TORQUE	F.L. RISE°C
11.2 LB-FT	175 / 87.5	34.6 LB-FT 308	46 LB-FT 409	70

SOUND PRESSURE @ 3 FT.	SOUND POWER	ROTOR WK^2	MAX. WK^2	SAFE STALL TIME	STARTS /HOUR	APPROX. MOTOR WGT
0 dBA	10 dBA	0.221 LB-FT^2	0 LB-FT^2	15 SEC.	2	0 LBS.

***** SUPPLEMENTAL INFORMATION *****

DE BRACKET TYPE	ODE BRACKET TYPE	MOUNT TYPE	ORIENTATION	SEVERE DUTY	HAZARDOUS LOCATION	DRIP COVER	SCREENS	PAINT
C-FACE	STANDARD	ROUND	HORIZONTAL	FALSE	NONE	FALSE	NONE	BLUE (ENAMEL)

BEARINGS		GREASE	SHAFT TYPE	SPECIAL DE	SPECIAL ODE	SHAFT MATERIAL	FRAME MATERIAL
DE	OPE						
BALL	BALL	POLYREX EM	T	NONE	NONE	AISI 1045 (C-240)	ROLLED STEEL
6206	6205						

THERMO-PROTECTORS				THERMISTORS	CONTROL	SPACE /n HEATERS
THERMOSTATS	PROTECTORS	WDG RTDs	BRG RTDs			
NONE	NOT	NONE	NONE	NONE	FALSE	NONE VOLTS

If Inverter equals NONE, contact factory for further information

INVERTER TORQUE: NONE
INV. HP SPEED RANGE: NONE
ENCODER: NONE
NONE NONE
NONE NONE PPR
BRAKE: NONE NONE
NONE P/N NONE
NONE NONE
NONE FT-LB NONE V NONE Hz

*
N
O
T
E
S
*

** Subject to change without notice.

Data Sheet

Date: 29-06-2017
 Customer: _____
 Attention: _____
 Submitted by: FAREEDA DUDEKULA



184TTFW16013

Submittal

Data @ 460 V

Motor Load Data

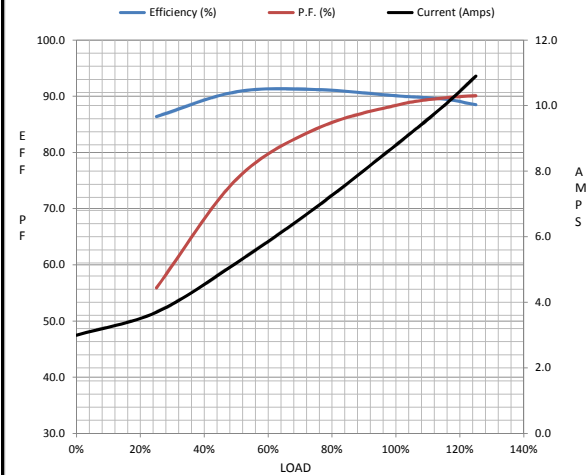
Load	0%	25%	50%	75%	100%	115%	125%	LR
Current (Amps)	3.0	3.7	5.2	6.9	8.8	10.0	10.9	87.5
Torque (ft-lb)	0.00	2.80	5.6	8.4	11.2	12.9	14.0	34.6
RPM	3600	3579	3556	3535	3510	3494	3482	0
Efficiency (%)		86.4	90.8	91.2	90.1	89.5	88.5	
P.F. (%)	9.4	55.9	75.2	84.2	88.4	89.7	90.1	0.0

Motor Speed Data

	LR	Pull-Up	BD	Rated	Idle
Speed (RPM)	0	400	3312	3510	3600
Current (Amps)	87.5	80.5	52.5	8.8	3.0
Torque (ft-lb)	34.6	33.5	46.0	11.2	0.00

Information Block

HP	7.5			
Sync. RPM	3600			
Frame	180			
Enclosure	TEFC			
Construction	TFW			
Voltage	3-230/460#190/3V			
Frequency	60 Hz			
Design	A			
LR Code letter	L			
Service Factor	1.15			
Temp Rise @ FL	70 ° C			
Duty	CONT			
Ambient	40 ° C			
Elevation	1,000 feet			
Rotor/Shaft wk²	0.22 Lb-Ft²			
Ref Wdg	T82153 FR			
Sound Pressure @ 1M	0 dBA			
VFD Rating	NONE			
Outline Dwg	035570-1050			
Conn. Diag	005010.01ME			
Additional Specifications:				
0				
365THFS8036				
EQUIV CKT (OHMS / PHASE)				
R1	R2	X1	X2	Xm
0.0000	0.0000	0.0000	0.0000	0.0000



Speed -Torque Curve

