

PRODUCT INFORMATION PACKET

marathon[®]
Motors

Model No: 286TTFCA6028
Catalog No: GT1231
30,1800,TEFC,286TC,3/60/208-230/460
Totally Enclosed Fan Cooled (TEFC)



Regal and Marathon are trademarks of Regal Beloit Corporation or one of its affiliated companies.
©2018 Regal Beloit Corporation, All Rights Reserved. MC017097E

REGAL[®]

Nameplate Specifications

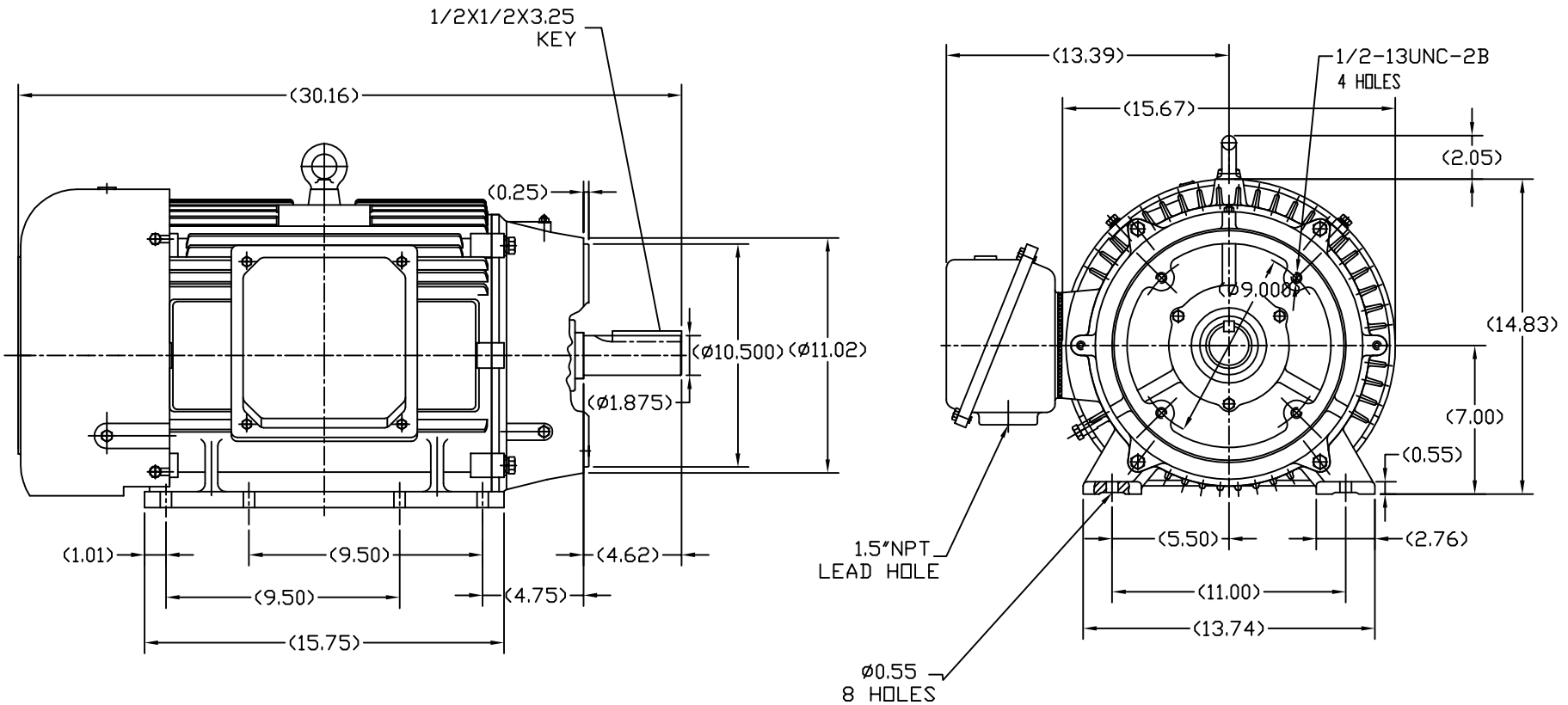
Output HP	30 Hp	Output KW	22.4 kW
Frequency	60 Hz	Voltage	230/460 V
Current	73.0/36.5 A	Speed	1780 rpm
Service Factor	1.15	Phase	3
Efficiency	94.1 %	Duty	Continuous
Insulation Class	F	Design Code	B
KVA Code	G	Frame	286TC
Enclosure	Totally Enclosed Fan Cooled	Overload Protector	No
Ambient Temperature	40 °C	Drive End Bearing Size	6311
Opp Drive End Bearing Size	6210	UL	Recognized
CSA	Y	CE	Y
IP Code	43		

Technical Specifications

Electrical Type	Squirrel Cage Induction Run	Starting Method	Wye Start Delta Run
Poles	4	Rotation	Reversible
Mounting	Rigid base	Motor Orientation	Horizontal
Drive End Bearing	Ball	Opp Drive End Bearing	Ball
Frame Material	Cast Iron	Shaft Type	T
Overall Length	31.34 in	Shaft Diameter	1.875 in
Shaft Extension	4.62 in	Assembly/Box Mounting	F1/F2 Capable
Outline Drawing	B-SS620299	Connection Diagram	A-EE7308AA

This is an uncontrolled document once printed or downloaded and is subject to change without notice. Date Created: 06/29/2018

SS620299



DRAWING MAY NOT BE TO SCALE

284TC	30.16	15.75	9.50
286TC	31.34	16.93	11.00
FRAME	C	B	2F

TOLERANCES UNLESS SPECIFIED		REGAL-BELOIT CORPORATION		DRAWN
DEC.	INCHES			SY 4-21-2010
.X	±.1			CHK HZJ 4-21-2010
.XX	±.03			APPD CL 4-21-2010
.XXX	±.005	TITLE		SCALE 2=13
.XXXX	±.0005	284/286TC FR-TEFC-CAST IRON		REF
ND.	REVISION	BY & DATE	MAT'L.	FMF HWADA
CHK	ANG	±1/2	FINISH	PREV
THIS DRAWING IN DESIGN AND DETAIL IS OUR PROPERTY AND MUST NOT BE USED EXCEPT IN CONNECTION WITH OUR WORK ALL RIGHTS OF DESIGN AND INVENTION ARE RESERVED THIS IS AN ELECTRONICALLY GENERATED DOCUMENT - DO NOT SCALE THIS PRINT				RFP
				CAD FILE
				SS620299
				SIZE
				DRAWING NO.
				B
				SS620299
				REV.



LOW VOLTAGE

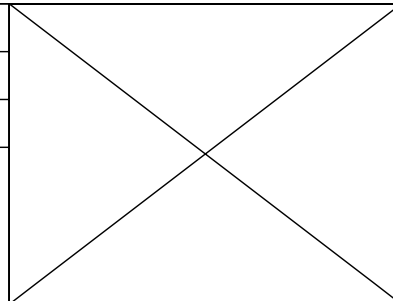


HIGH VOLTAGE



VIEW OF TERMINAL END

DRAWING REVISION K	REVISION BY AJW	DATE 07-17-2015
ECO ECO-0081632	APPROVED BY T. VUE	DATE 07-17-2015
ECO DESCRIPTION REV'D IEC MARKINGS PER IEC 60034-8		
<small>COPYRIGHT REGAL BELOIT AMERICA, INC. ALL RIGHTS RESERVED. PROPRIETARY AND CONFIDENTIAL INFORMATION - THIS DOCUMENT IS THE PROPERTY OF REGAL BELOIT AMERICA, INC. ("OWNER") AND CONTAINS OWNER'S PROPRIETARY INFORMATION. ANY PERSON, CORPORATION OR OTHER FIRM RECEIVING IT IS DEEMED, BY RECEIVING IT, TO AGREE THAT IT, AND/OR ANY PART OF IT, SHALL NOT BE DISCLOSED TO ANY PERSON, CORPORATION OR OTHER ENTITY, DUPLICATED, AND/OR USED, EXCEPT AS EXPRESSLY APPROVED IN WRITING IN ADVANCE BY OWNER. THIS DOCUMENT SHALL BE RETURNED TO OWNER UPON REQUEST. IT MAY BE SUBJECT TO CERTAIN RESTRICTIONS UNDER APPLICABLE EXPORT CONTROL LAWS AND REGULATIONS.</small>		



DRAWN BY LZ	Regal Beloit America, Inc.	
DATE 01-12-1994		
APPROVED BY GK	DESCRIPTION CONN DIAGRAM-EXTERNAL 3Ø-2/1 DELTA-12 LEADS	
DATE 01-14-1994		
REFERENCE	MATERIAL	PROCESS/FINISH
THIRD ANGLE PROJECTION	SIZE A	DRAWING NUMBER EE7308AA
		SHEET 1 OF 1

CERTIFICATION DATA SHEET

Model#: 286TTFCA6028 AA **WINDING#:** CHT28640003 NONE 1
CONN. DIAGRAM: A-EE7308AA **ASSEMBLY:** F1/F2 CAPABLE
OUTLINE: B-SS620299

TYPICAL MOTOR PERFORMANCE DATA

HP	KW	SYNC. RPM	F.L. RPM	FRAME	ENCLOSURE	KVA CODE	DESIGN
30&25	22.4&18.7	1800	1780&1475	286TC	TEFC	G	B

PH	Hz	VOLTS	FL AMPS	START TYPE	DUTY	INSL	S.F	AMB°C	ELEVATION
3	60/50	230/460#190/ 380	73/36.5&74/37	WYE START DELTA RUN	CONTINUOUS	F7	1.15/1.15	40	3300

FULL LOAD EFF: 94.1&93	3/4 LOAD EFF: 93.6	1/2 LOAD EFF: 93	GTD. EFF	ELEC. TYPE	NO LOAD AMPS
FULL LOAD PF: 81.5&82	3/4 LOAD PF: 77	1/2 LOAD PF: 68	93	SQ CAGE IND RUN	28.4 / 14.2

F.L. TORQUE	LOCKED ROTOR AMPS	L.R. TORQUE	B.D. TORQUE	F.L. RISE°C
88.5 LB-FT	430 / 215	170 LB-FT 192	212 LB-FT 240	60

SOUND PRESSURE @ 3 FT.	SOUND POWER	ROTOR WK^2	MAX. WK^2	SAFE STALL TIME	STARTS /HOUR	APPROX. MOTOR WGT
68 dBA	78 dBA	5.7 LB-FT^2	225 LB-FT^2	20 SEC.	2	600 LBS.

***** SUPPLEMENTAL INFORMATION *****

DE BRACKET TYPE	ODE BRACKET TYPE	MOUNT TYPE	ORIENTATION	SEVERE DUTY	HAZARDOUS LOCATION	DRIP COVER	SCREENS	PAINT
C-FACE	STANDARD	RIGID	HORIZONTAL	FALSE	NONE	FALSE	NONE	BLUE (ENAMEL)

BEARINGS		GREASE	SHAFT TYPE	SPECIAL DE	SPECIAL ODE	SHAFT MATERIAL	FRAME MATERIAL
DE	OPE						
BALL	BALL	POLYREX EM	T	NONE	NONE	1045 HOT ROLLED (C-204)	CAST IRON
6311	6210						

THERMO-PROTECTORS				THERMISTORS	CONTROL	SPACE /n HEATERS
THERMOSTATS	PROTECTORS	WDG RTDs	BRG RTDs			
NONE	NOT	NONE	NONE	NONE	FALSE	NONE VOLTS

If Inverter equals NONE, contact factory for further information

INVERTER TORQUE: NONE
INV. HP SPEED RANGE: NONE
ENCODER: NONE
NONE NONE
NONE NONE PPR
BRAKE: NONE NONE
NONE P/N NONE
NONE NONE
NONE FT-LB NONE V NONE Hz

*
N
O
T
E
S
*

DATE: 06/27/2017 03:48:23 AM
 FORM 3531 REV.3 02/07/99

** Subject to change without notice.

Data Sheet

Date: 29-06-2017
 Customer: _____
 Attention: _____
 Submitted by: FAREEDA DUDEKULA



286TFCA6028

Submittal

Data @ 460 V

Motor Load Data

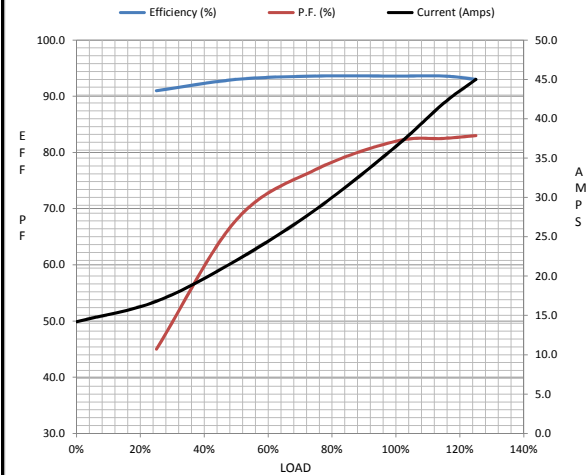
Load	0%	25%	50%	75%	100%	115%	125%	LR
Current (Amps)	14.2	16.8	22.0	28.5	36.5	42.0	45.0	215
Torque (ft-lb)	0.00	22.0	44.0	66.5	88.5	102	112	170
RPM	1800	1795	1790	1782	1775	1,772	1770	0
Efficiency (%)		91.0	93.0	93.6	93.6	93.6	93.0	
P.F. (%)	4.5	45.0	68.0	77.0	82.0	82.5	83.0	38.0

Motor Speed Data

	LR	Pull-Up	BD	Rated	Idle
Speed (RPM)	0	1100	1675	1775	1800
Current (Amps)	215	185	125	36.5	14.2
Torque (ft-lb)	170	160	212	88.5	0.00

Information Block

HP	30.0			
Sync. RPM	1800			
Frame	286			
Enclosure	TEFC			
Construction	TFC			
Voltage	30/460#190/38V			
Frequency	60 Hz			
Design	B			
LR Code letter	G			
Service Factor	1.15			
Temp Rise @ FL	60 ° C			
Duty	CONT			
Ambient	40 ° C			
Elevation	1,000 feet			
Rotor/Shaft wk ²	5.7 Lb-Ft ²			
Ref Wdg	CHT28640003 NONE			
Sound Pressure @ 1M	68 dBA			
VFD Rating	NONE			
Outline Dwg	B-SS620299			
Conn. Diag	A-EE7308AA			
Additional Specifications:				
0				
365THFS8036				
EQUIV CKT (OHMS / PHASE)				
R1	R2	X1	X2	Xm
0.1510	0.1040	0.5430	1.0300	18.6170



Speed -Torque Curve

