

PRODUCT INFORMATION PACKET

marathon[®]
Motors

Model No: 447TTDC16077
Catalog No: GT0053
150,1200,DP,447T,3/60/460PWS
Open Drip Proof (ODP)



Regal and Marathon are trademarks of Regal Beloit Corporation or one of its affiliated companies.
©2018 Regal Beloit Corporation, All Rights Reserved. MC017097E

REGAL[®]



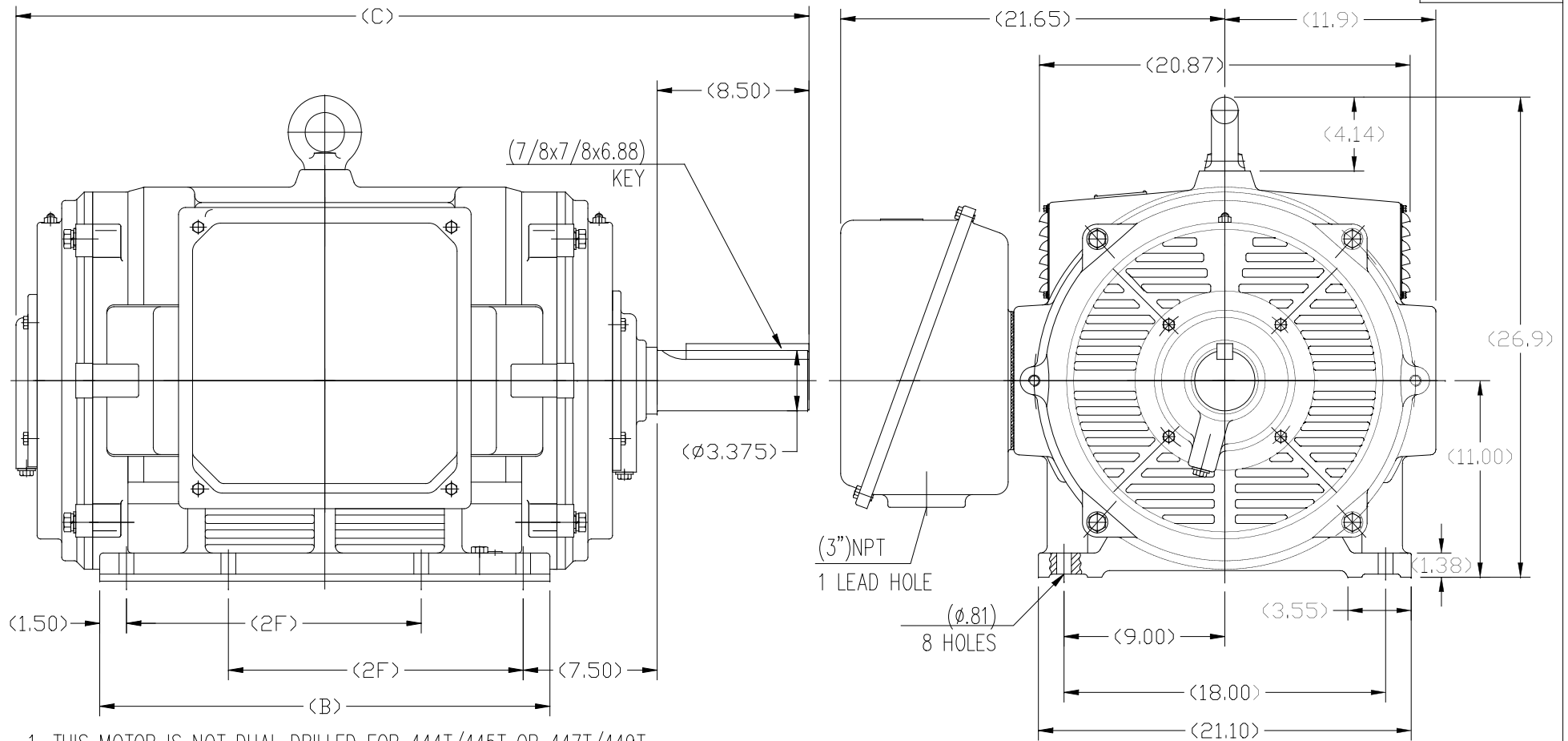
Nameplate Specifications

Output HP	150 Hp	Output KW	112.0 kW
Frequency	60 Hz	Voltage	460 V
Current	172.0 A	Speed	1190 rpm
Service Factor	1.15	Phase	3
Efficiency	95.4 %	Duty	Continuous
Insulation Class	F	Design Code	B
KVA Code	G	Frame	447T
Enclosure	Drip Proof	Overload Protector	No
Ambient Temperature	40 °C	Drive End Bearing Size	6319
Opp Drive End Bearing Size	6317	UL	Recognized
CSA	Y	CE	Y
IP Code	22		

Technical Specifications

Electrical Type	Squirrel Cage Inverter Rated	Starting Method	Part Wdg Start Or Inverter
Poles	6	Rotation	Reversible
Mounting	Rigid base	Motor Orientation	Horizontal
Drive End Bearing	Ball	Opp Drive End Bearing	Ball
Frame Material	Cast Iron	Shaft Type	T
Overall Length	49.69 in	Shaft Diameter	3.375 in
Shaft Extension	8.5 in	Assembly/Box Mounting	F1/F2 Capable
Outline Drawing	B-SS620255	Connection Diagram	A-EE7341C

This is an uncontrolled document once printed or downloaded and is subject to change without notice. Date Created: 06/29/2018



1. THIS MOTOR IS NOT DUAL DRILLED FOR 444T/445T OR 447T/449T
2. THIS MOTOR IS DRILLED FOR F1/F2 CAPABILITY

444T	44.57	25.20	14.50
445T	44.57	25.20	16.50
447T	49.69	30.32	20.00
449T	49.69	30.32	25.00
Frame	C	B	2F

				TOLERANCES UNLESS SPECIFIED		REGAL-BELOIT CORPORATION		DRAWN ZYH 02-21-2010			
				DEC.	INCHES			CHK HZJ 02-21-2010			
				X	±1	REGAL-BELOIT		APPD CL 02-21-2010			
				XX	±.03			TITLE		SCALE 6=32	
G	UPDATED DRAWING PER MARK-UP ECO-0108274			W/GJ	10-7-16	EMH	XXX	±.005	REF		
A	2 leads hole change to 1			CL	2010-9-8	XXXX	±.0005	MAT'L.	FNF HWABA		
NO.	REVISION			BY & DATE	CHK	ANG	±1/2	FINISH	PREV		
THIS DRAWING IN DESIGN AND DETAIL IS OUR PROPERTY AND MUST NOT BE USED EXCEPT IN CONNECTION WITH OUR WORK ALL RIGHTS OF DESIGN AND INVENTION ARE RESERVED THIS IS AN ELECTRONICALLY GENERATED DOCUMENT - DO NOT SCALE THIS PRINT				RFP	CAD FILE			SS620255	SIZE	DRAWING NO.	REV.
				DIST				B	SS620255	G	

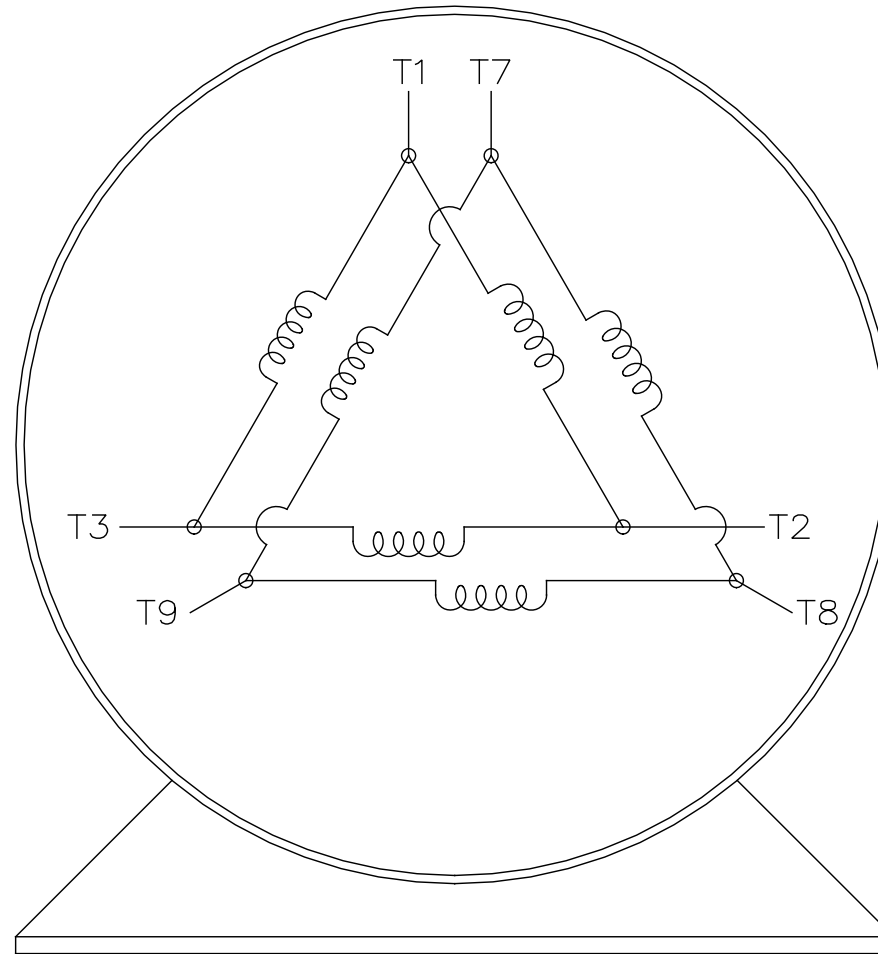
THREE PHASE – PART WINDING START
DELTA – 6 LEADS

START

CONNECT T1 TO LINE 1
CONNECT T2 TO LINE 2
CONNECT T3 TO LINE 3
T7–T8–T9 OPEN

RUN

CONNECT T1&T7 TO LINE 1
CONNECT T2&T8 TO LINE 2
CONNECT T3&T9 TO LINE 3



VIEW OF TERMINAL END

		TOLERANCES UNLESS SPECIFIED		REGAL REGAL - BELOIT CORPORATION		DRAWN BLR 03-09-1998				
		DEC.	INCHES			CHK	ML	03-23-1998		
			.X ± -			APPD	GK	03-23-1998		
			.XX ± -		TITLE	SCALE		1=1		
			.XXX ± -		CONNECTION DIAGRAM	REF				
D	RE-DRAWN WITH REGAL LOGO ECO-0110493	WGJ 09-30-2016	EMH .XXXX ± -		3Ø - 6 LEADS	FMF				
NO.	REVISION	BY & DATE	CHK	ANG	FINISH	PREV				
THIS DRAWING IN DESIGN AND DETAIL IS OUR PROPERTY AND MUST NOT BE USED EXCEPT IN CONNECTION WITH OUR WORK ALL RIGHTS OF DESIGN AND INVENTION ARE RESERVED THIS IS AN ELECTRONICALLY GENERATED DOCUMENT - DO NOT SCALE THIS PRINT			RFP	CAD FILE EE7341C		SIZE	DRAWING NO.	PAGE	OF	REV.
			DIST			A	EE7341C			D

Data Sheet

Date: 19-06-2017
 Customer: _____
 Attention: _____
 Submitted by: FAREEDA DUDEKULA



447TTDC16077

Submittal

Data @ 460 V

Motor Load Data

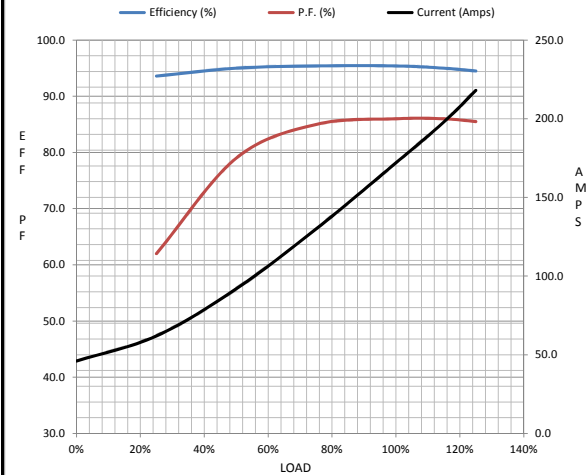
Load	0%	25%	50%	75%	100%	115%	125%	LR
Current (Amps)	46.0	62.0	92.0	130	172	198	218	1,085
Torque (ft-lb)	0.00	165	330	496	663	763	830	1,250
RPM	1200	1196	1194	1192	1190	1,188	1185	0
Efficiency (%)		93.6	95.0	95.4	95.4	95.0	94.5	
P.F. (%)	4.5	62.0	79.0	85.0	86.0	86.0	85.5	36.0

Motor Speed Data

	LR	Pull-Up	BD	Rated	Idle
Speed (RPM)	0	850	1150	1190	1200
Current (Amps)	1,085	950	600	172	46.0
Torque (ft-lb)	1,250	1,100	1,450	663	0.00

Information Block

HP	150.0			
Sync. RPM	1200			
Frame	445			
Enclosure	DP			
Construction	TDC			
Voltage	460#380 V			
Frequency	60 Hz			
Design	A			
LR Code letter	G			
Service Factor	1.15			
Temp Rise @ FL	55 ° C			
Duty	CONT			
Ambient	40 ° C			
Elevation	1,000 feet			
Rotor/Shaft wk ²	92.0 Lb-Ft ²			
Ref Wdg	CHT44760002 NONE			
Sound Pressure @ 1M	78 dBA			
VFD Rating	VARIABLE 10:1			
Outline Dwg	B-SS620255			
Conn. Diag	A-EE7341C			
Additional Specifications:				
0				
365THFS8036				
EQUIV CKT (OHMS / PHASE)				
R1	R2	X1	X2	Xm
0.0250	0.0140	0.1630	0.2720	5.7360



Speed -Torque Curve

