

# PRODUCT INFORMATION PACKET

**marathon**<sup>®</sup>  
Motors

Model No: 5KC49PN6051  
Catalog No: C1258  
1/3, 1200, DP, 56, 1/60/115/230  
Open Drip Proof (ODP)



Regal and Marathon are trademarks of Regal Beloit Corporation or one of its affiliated companies.  
©2018 Regal Beloit Corporation, All Rights Reserved. MC017097E

**REGAL**<sup>®</sup>

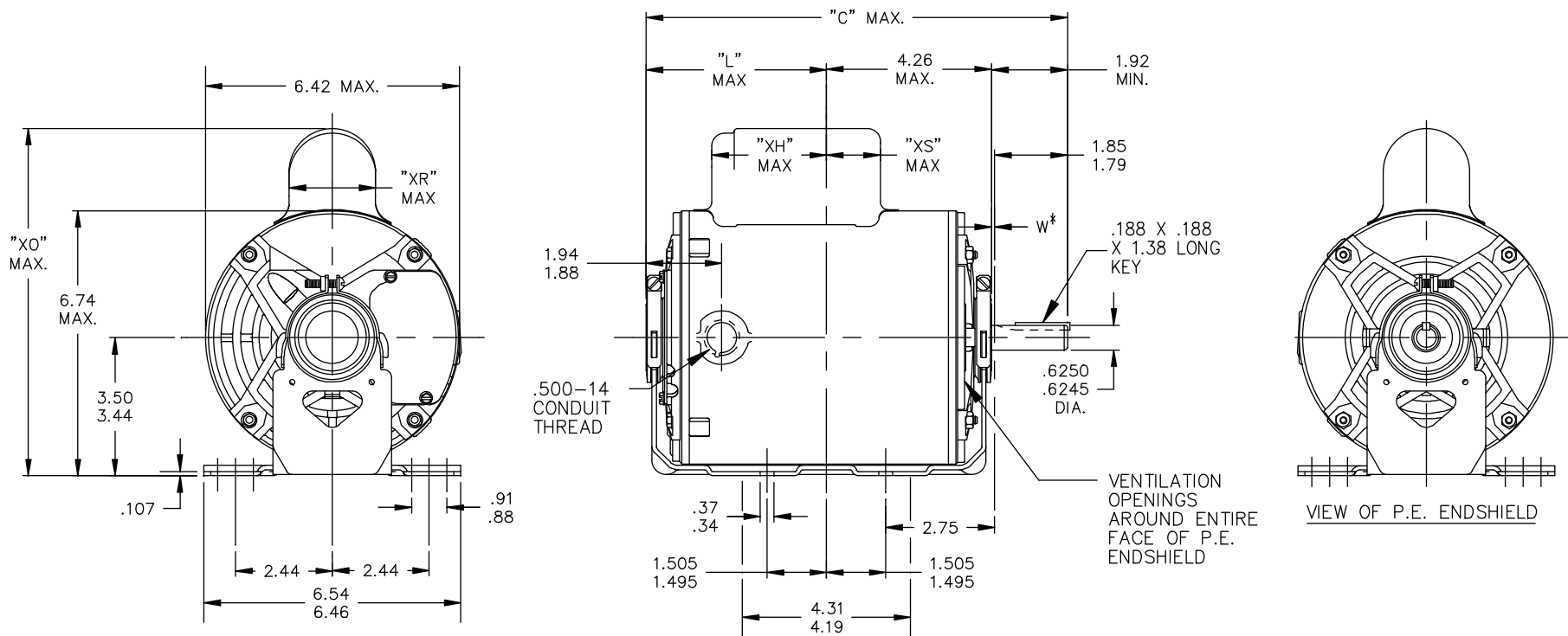
**Nameplate Specifications**

Output HP	<b>1/3 Hp</b>	Output KW	<b>0.25 kW</b>
Frequency	<b>60 Hz</b>	Voltage	<b>115/230 V</b>
Current	<b>8.6,4.3 A</b>	Speed	<b>1140 rpm</b>
Service Factor	<b>1.35</b>	Phase	<b>1</b>
Efficiency	<b>50 %</b>	Duty	<b>Continuous</b>
Insulation Class	<b>B</b>	KVA Code	<b>L</b>
Frame	<b>56</b>	Enclosure	<b>Drip Proof</b>
Overload Protector	<b>N/R</b>	Ambient Temperature	<b>40 °C</b>
Drive End Bearing Size	<b>6203</b>	Opp Drive End Bearing Size	<b>6203</b>
UL	<b>Recognized</b>	CSA	<b>Yes</b>
CE	<b>N</b>		

**Technical Specifications**

Electrical Type	<b>Capacitor Start Induction Run</b>	Starting Method	<b>SM</b>
Poles	<b>6</b>	Rotation	<b>Counterclockwise/Clockwise</b>
Mounting	<b>Resilient Base</b>	Motor Orientation	<b>ANY</b>
Drive End Bearing	<b>BALL</b>	Opp Drive End Bearing	<b>BALL</b>
Frame Material	<b>Rolled Steel</b>	Overall Length	<b>11.38 in</b>
Frame Length	<b>7.15 in</b>	Shaft Diameter	<b>0.63 in</b>
Shaft Extension	<b>1.88 in</b>		
Outline Drawing	<b>52A107622P6</b>	Connection Diagram	<b>52A105381AA</b>

**This is an uncontrolled document once printed or downloaded and is subject to change without notice. Date Created: 10/08/2018**



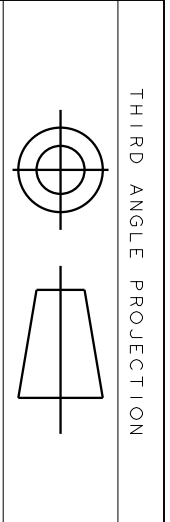
CONTINUED ON 52A107799

\*W IS A VARIABLE CLEARANCE DUE TO VARIATIONS IN PARTS AND ASSEMBLY

ALL DIMENSIONS ARE IN INCHES

8	KC	49	56	11.38	5.22	3.63	8.62	2.08	2.12		7.15
7	KC	46	56	10.78	4.62	2.18	8.94	2.40	2.36		6.55
6	KC	49	56	11.38	5.22	3.63	8.22	1.60	2.12		7.15
5	KC	46	56	10.78	4.62	3.03	8.22	1.60	2.73		6.55
4	KC	42	56	9.95	3.79	2.20	8.22	1.60	2.34		5.72
3	KC	49	56	11.38	5.22	3.63	8.94	2.40	2.12		7.15
2	KC	42	56	9.95	3.79	2.20	8.94	2.40	2.34		5.72
1	KC	46	56	10.78	4.62	3.03	8.94	2.40	2.73		6.55
P	TYPE	FR SIZE	NEMA FR.	"C"	"L"	"XH"	"XO"	"XR"	"XS"		MIN. SHELL

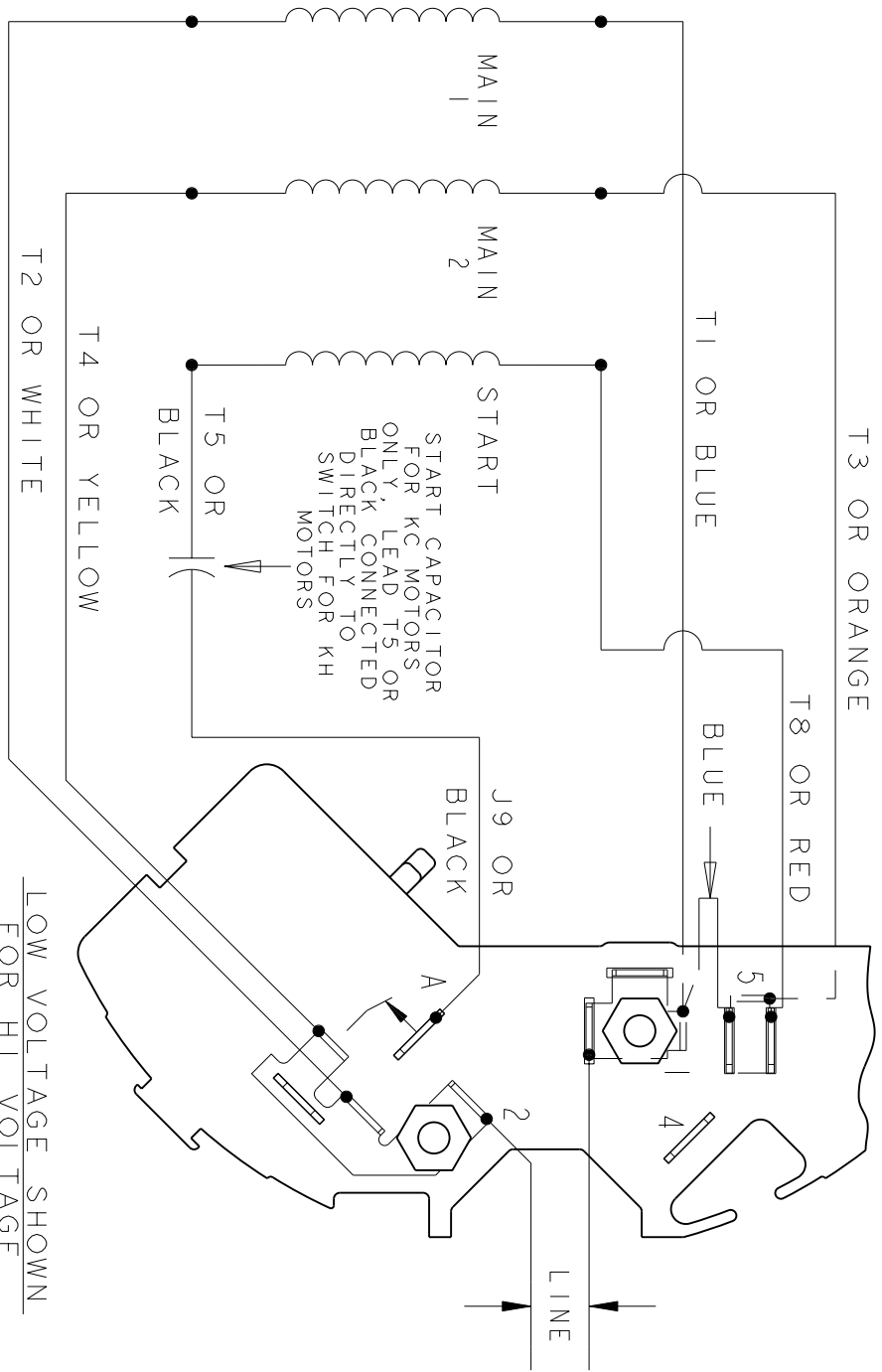
				TOLERANCES UNLESS SPECIFIED		<b>REGAL-BELOIT CORPORATION</b>		DRAWN M.D.P 09/17/90		
				DEC.	INCHES			CHK M.D.P 09/17/90		
				.X	±.1	TITLE OUTLINE GENERAL PURPOSE MOTOR DRIP PROOF		APPD		
				.XX	±.03			SCALE 3=8		
13	ADDED PART # 8 PER SAMPLE DS13-2295	UD 06/21/13	GRB	.XXX	±.005			REF		
12	CHG "XS" DIMENSION PER IS08-2395	MD 07/01/08		.XXXX	±.0005	MAT'L.		FMF		
NO.	REVISION	BY & DATE	CHK	ANG	±1/2'	FINISH		PREV		
THIS DRAWING IN DESIGN AND DETAIL IS OUR PROPERTY AND MUST NOT BE USED EXCEPT IN CONNECTION WITH OUR WORK ALL RIGHTS OF DESIGN AND INVENTION ARE RESERVED THIS IS AN ELECTRONICALLY GENERATED DOCUMENT - DO NOT SCALE THIS PRINT				RFP		CAD FILE 52A107622		SIZE	DRAWING NO.	REV.
				DIST				A	52A107622	13



THIRD ANGLE PROJECTION

REV.	DESCRIPTION	DATE	APPROVED
2	UPDATED FORMAT	01/04/06	MAM

EITHER ROTATION - DUAL VOLTAGE  
TYPE KC OR KH  
T3 OR ORANGE



LOW VOLTAGE SHOWN  
FOR HI VOLTAGE  
SEE NOTE #1

- NOTE #1 - FOR HI VOLTAGE REMOVE BLUE FROM TERMINAL #5 AND PLACE ON TERMINAL #4, REMOVE WHITE (T2) FROM TERMINAL #2 AND PLACE ON TERMINAL #5.
- NOTE #2 - TO REVERSE ROTATION INTERCHANGE RED (T8) AND BLACK (J9-KC OR T5-KH) LEADS.
- NOTE #3 - WHEN MORE THAN ONE CAPACITOR IS USED CONNECT IN PARALLEL.

REF. DIAG. - 121A852

SWITCH (C) - 115D958AB  
CONNECTION LABEL - 52X332050

SIGNATURES		DATE
MODEL	M.D. PAPE	06/29/87
DETAIL	.	.
CHECKED	.	.
ENGRG	.	.
MFG	.	.
FOR ADDITIONAL INFO REFER TO:	QUALITY	.
APPLIED PRACTICES	ISSUED	M.D.P. 06/29/87
DIMENSIONS ARE IN INCHES	SOLID MODEL: 52A105381AA	



REGAL-BELOMT CORPORATION

TITLE CONNECTION DIAGRAM

FME: 30 FRAME SWITCH REDESIGN

SIZE	DRAWING	REV
A		2
SCALE: 1.000	REF. No.:	SHEET 1 of 1