

PRODUCT INFORMATION PACKET

Model No: 5KH33FN85X
Catalog No: HG124
1/3,3450,TEFC,48,1/60/115
Totally Enclosed Fan Cooled (TEFC)



Regal and Marathon are trademarks of Regal Beloit Corporation or one of its affiliated companies.
©2018 Regal Beloit Corporation, All Rights Reserved. MC017097E





Nameplate Specifications

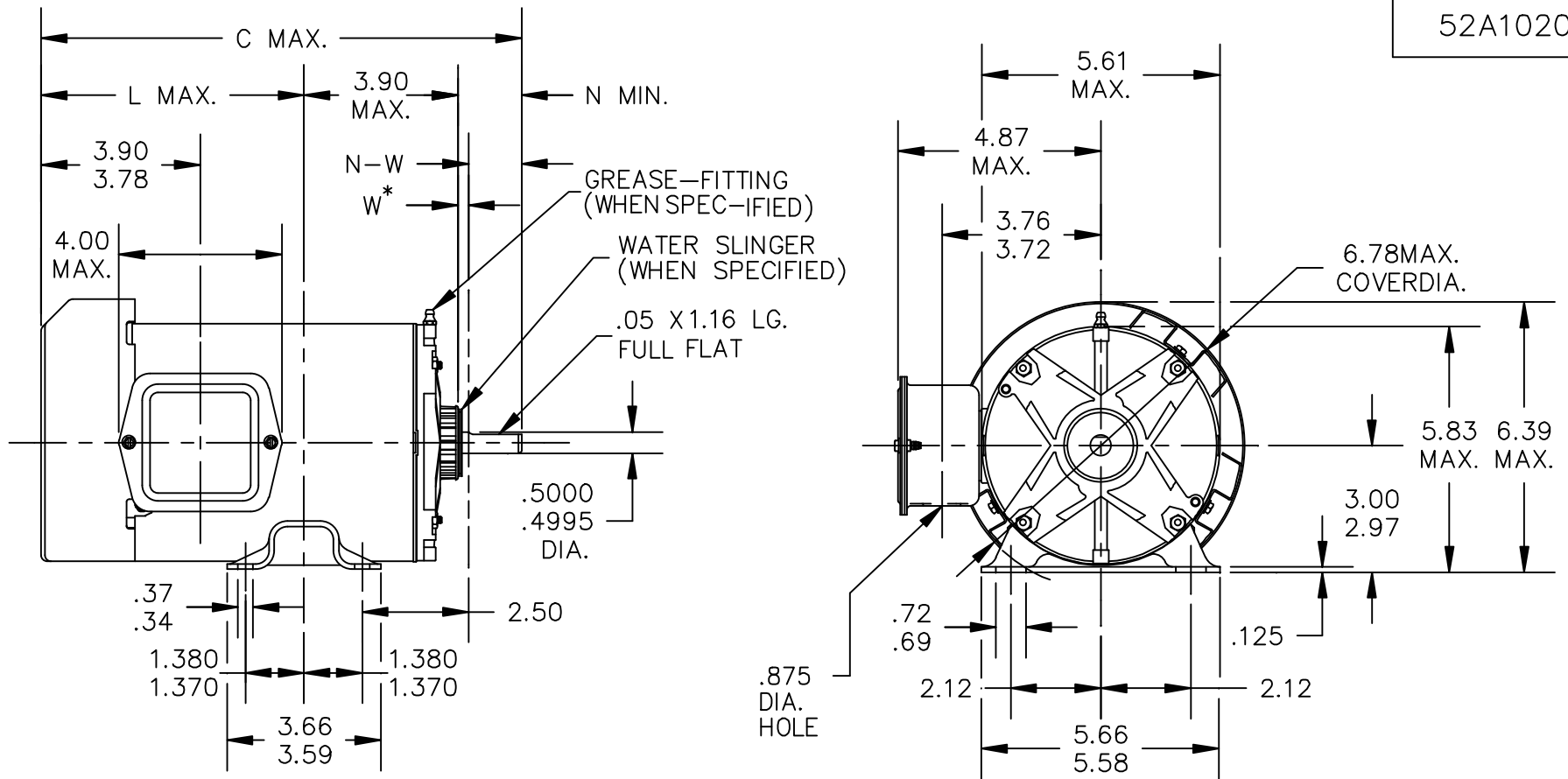
Output HP	0.33 Hp	Output KW	0.25 kW
Frequency	60 Hz	Voltage	115 V
Current	6.4 A	Speed	3450 rpm
Service Factor	1	Phase	1
Efficiency	54.7 %	Duty	Continuous
Insulation Class	B	KVA Code	S
Frame	48	Enclosure	Totally Enclosed Fan Cooled
Overload Protector	AUTO	Ambient Temperature	40 °C
Drive End Bearing Size	6203	Opp Drive End Bearing Size	6203
UL	Recognized	CSA	Yes
CE	N	IP Code	43

Technical Specifications

Electrical Type	Split Phase	Starting Method	SM
Poles	2	Rotation	Counterclockwise/Clockwise
Mounting	Rigid base	Motor Orientation	Any
Drive End Bearing	BALL	Opp Drive End Bearing	BALL
Frame Material	Rolled Steel	Overall Length	10.2 in
Frame Length	5.41 in	Shaft Diameter	0.500 in
Shaft Extension	1.5 in		
Outline Drawing	52A102041P2	Connection Diagram	52A105379BA

This is an uncontrolled document once printed or downloaded and is subject to change without notice. Date Created: 06/29/2018

52A102041



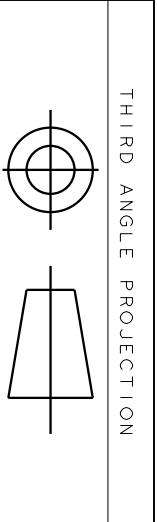
W* IS A CLEARANCE DUE TO VARIATION IN PARTS AND ASSEMBLY

5	K KH	37	48	11.38	6.00	1.50	1.63/1.41											
4	K KH	36	48	10.98	5.60	1.50	1.63/1.41											
3	K KH	35	48	10.55	5.17	1.50	1.63/1.41	8	K KH	39	48	9.67	4.29	1.50	1.63/1.41	4.91		
2	K KH	33	48	10.17	4.79	1.50	1.63/1.41	7	K KH	32	48Z	10.92	4.54	2.50	2.63/2.41			
1	K KH	32	48	9.92	4.54	1.50	1.63/1.41	6	K KH	38	48	11.98	6.60	1.50	1.63/1.41			
P	TYPE	RBC SIZE	NEMA FR.	C	L	N	N-W	SHELL LGTH.	P	TYPE	RBC SIZE	NEMA FR.	C	L	N	N-W	SHELL LGTH.	

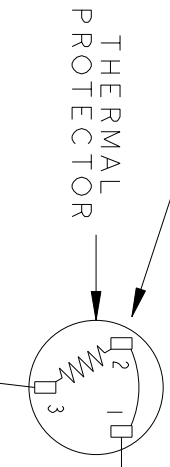
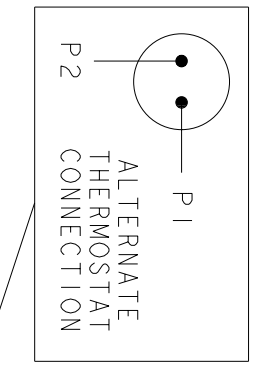
		TOLERANCES UNLESS SPECIFIED		DRAWN F.P.K 12/13/76		
		DEC.	INCHES	CHK		
		.X	±0.1	APPD M.D.P 05/24/96		
		.XX	±0.02	SCALE 1=1		
12	REDRAWN IN DRAFTSIGHT -NO CHANGES	UD 09/08/12	.XXX	±0.005	REF	
11	PER ISAAC 05-2096	RK 09/05/05	.XXXX	±0.0005	FMF	
NO.	REVISION	BY & DATE	CHK	ANG	FINISH	PREV
			RFP		CAD FILE 52A102041	SIZE A
			DIST			DRAWING NO. 52A102041
THIS DRAWING IN DESIGN AND DETAIL IS OUR PROPERTY AND MUST NOT BE USED EXCEPT IN CONNECTION WITH OUR WORK ALL RIGHTS OF DESIGN AND INVENTION ARE RESERVED THIS IS AN ELECTRONICALLY GENERATED DOCUMENT - DO NOT SCALE THIS PRINT						REV. 12



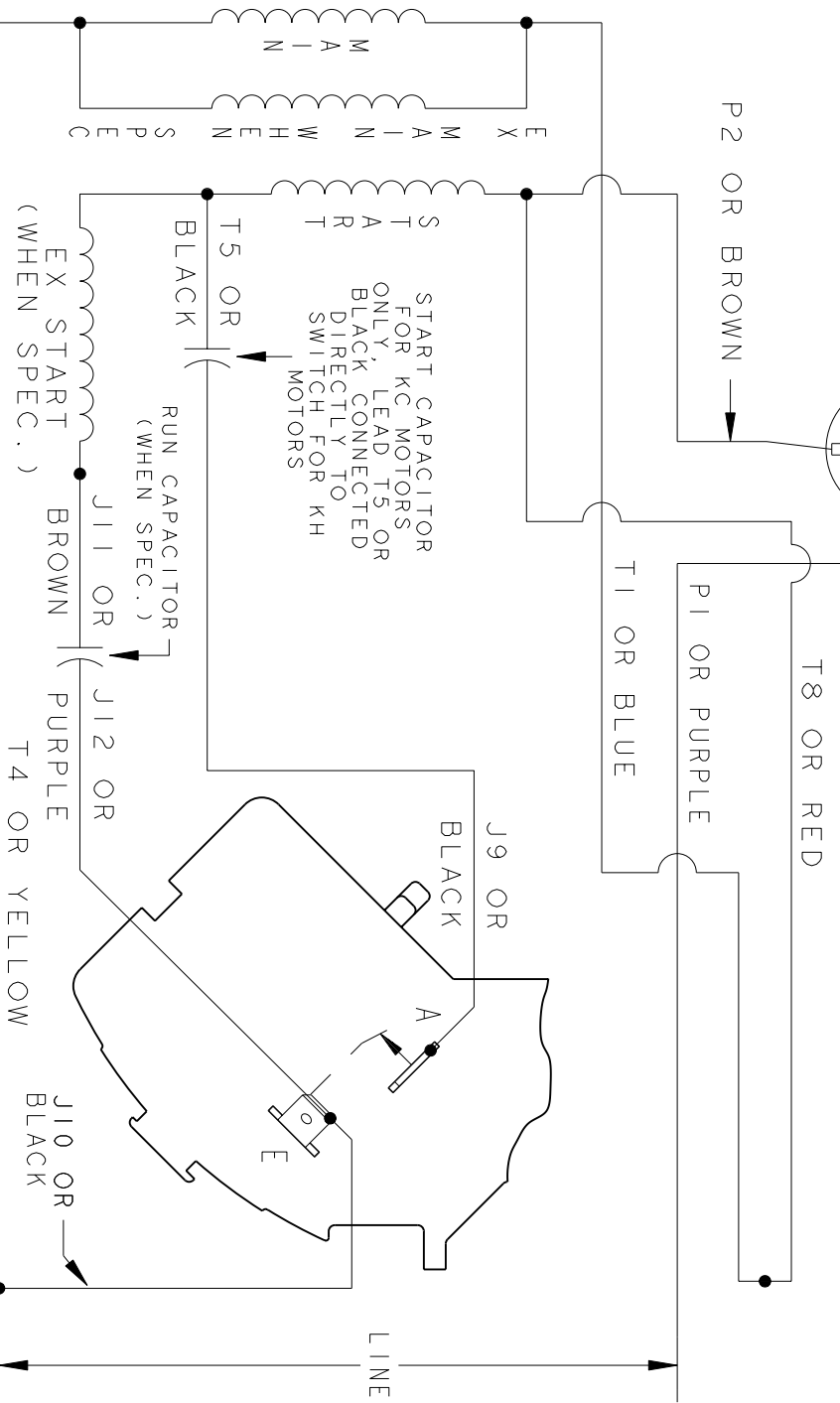
TITLE: OUTLINE
TOTALLY ENCLOSED OUTBOARD FAN-WELDED BASE



REVISIONS		DATE	APPROVED
REV.	DESCRIPTION		
9	UPDATED FORMAT	12/02/05	MAM



- CCW/CW ROTATION -
 - SINGLE VOLTAGE -
 TYPE KC, KCR OR KH WITH
 THERMAL PROTECTOR



NOTE #1 - TO REVERSE ROTATION INTERCHANGE BLUE (T1) AND YELLOW (T4) LEADS.

NOTE #2 - WHEN MORE THAN ONE CAPACITOR IS USED CONNECT IN PARALLEL.

REF. DIAG. - 113A329

CONNECTION LABEL - 52X332919

SIGNATURES	DATE
MODEL M.D. PAPE	06/29/87
DETAIL	
CHECKED	
ENGRG	
MFG	
QUALITY	
ISSUED	M.D.P. 12/02/94
APPLIED PRACTICES	
DIMENSIONS ARE IN INCHES	
MATERIAL	SOLID MODEL: 52A105379BA



REGAL-BELOIT CORPORATION

CONNECTION DIAGRAM

FME: 3-FR SWITCH REDESIGN

52A105379BA

SCALE: 1.000	REF. No.:	SHEET 1 of 1
SIZE DRAWING A		REV 9