



LED Direct-Lit Panels

High Efficiency Series

ASD LED Direct lit Flat Panels High Efficiency Series are a modern, contemporary fixture. Their main advantages are that they are energy efficient, absent of hazardous materials and have no maintenance costs.

They are an ideal choice to reduce energy costs in a commercial or residential application. They are widely used in offices, retail stores, schools, hospitals, hotels and airports.

ASD LED Direct lit Flat Panels High Efficiency Series benefits are that they have low energy consumption, long life and sustainable light with no shadows.



FEATURES AND BENEFITS:

- ▶ Contemporary design
- ▶ Available in 2x2 and 2x4 sizes
- ▶ Standard 0-10 V dimming
- ▶ High luminous efficiency 110 lm/W
- ▶ Low energy consumption
- ▶ LED luminaire for recessed mount
- ▶ cULus certified
- ▶ DesignLights™ Consortium (DLC) listed
- ▶ LED lifetime >100,000 hrs
- ▶ 5-year limited warranty

ORDERING MATRIX

Family	Size	Dimmable 0~10 V	Watts	CCT	Luminous Efficiency
ASD-DLP	XX	D	XX	XX	HE
Direct-Lit Panel	22 = type 2x2	Dimmable	22 = 22 W	35 = 3500 K	High efficiency
	24 = type 2x4		27 = 27 W	40 = 4000 K	
			40 = 40 W	50 = 5000 K	



LED Direct-Lit Panels

High Efficiency Series

LED DIRECT-LIT PANEL:

Model	Type	Watts	Dimming	CCT	Lumens	Dimensions (LxWxH)
ASD-DLP22D2235HE	2x2	22 W	yes	3500 K	2 420 lm	23.8"x23.8"x1"
ASD-DLP22D2240HE	2x2	22 W	yes	4000 K	2 420 lm	23.8"x23.8"x1"
ASD-DLP22D2250HE	2x2	22 W	yes	5000 K	2 420 lm	23.8"x23.8"x1"
ASD-DLP22D2735HE	2x2	27 W	yes	3500 K	2 970 lm	23.8"x23.8"x1"
ASD-DLP22D2740HE	2x2	27 W	yes	4000 K	2 970 lm	23.8"x23.8"x1"
ASD-DLP22D2750HE	2x2	27 W	yes	5000 K	2 970 lm	23.8"x23.8"x1"
ASD-DLP24D4035HE	2x4	40 W	yes	3500 K	4 400 lm	23.8"x47.8"x1"
ASD-DLP24D4040HE	2x4	40 W	yes	4000 K	4 400 lm	23.8"x47.8"x1"
ASD-DLP24D4050HE	2x4	40 W	yes	5000 K	4 400 lm	23.8"x47.8"x1"

LED DRIVER:

Model	Watts	Dimming	Input Voltage	Output Voltage	Max Current	Power Factor	Dimensions (L x W x H)
ASD-BLP22D	22 W	0~10 V	100-277 V	30-42 V	550 mA	≥ 0.9	4.1" x 11" x 1.8"
ASD-BLP27D	27 W	0~10 V	100-277 V	30-42 V	700 mA	≥ 0.9	4.1" x 11" x 1.8"
ASD-BLP40D	40 W	0~10 V	100-277 V	30-42 V	1050 mA	≥ 0.9	4.1" x 11" x 1.8"



LED Direct-Lit Panels

High Efficiency Series

PRODUCT SPECIFICATIONS:

Construction & Materials			
Housing	Standard recessed troffer housing		
Lens	Standard prismatic diffuser		
Lens Type	Prismatic		
Finish Color	White		
Weight (Panel+Driver)	ASD-DLP22D2235HE ASD-DLP22D2240HE ASD-DLP22D2250HE	ASD-DLP22D2735HE ASD-DLP22D2740HE ASD-DLP22D2750HE	ASD-DLP24D4035HE ASD-DLP24D4040HE ASD-DLP24D4050HE
	9.13 lbs (4.1 kg)	9.13 lbs (4.1 kg)	15.4 lbs (7 kg)

Environmental System	
Work Environment	Indoor use (applicable for dry environments)
Operating Temperature	14+104°F (-10+40°C)
Humidity	20% - 85% RH, non condensing
LED lifetime	>100,000 hrs

Optical System				
Luminous Flux	ASD-DLP22D2235HE	2 510 lm	ASD-DLP24D4035HE	4 240 lm
	ASD-DLP22D2240HE	2 640 lm	ASD-DLP24D4040HE	4 320 lm
	ASD-DLP22D2250HE	2 650 lm	ASD-DLP24D4050HE	4 326 lm
	ASD-DLP22D2735HE	3 240 lm		
	ASD-DLP22D2740HE	3 385 lm		
	ASD-DLP22D2750HE	3 420 lm		
	Luminous Efficiency	110 lm/W		
Color Temperature	3500 K, 4000 K, 5000 K			
CRI	80			



LED Direct-Lit Panels

High Efficiency Series

Electrical System			
Input Voltage	100~277VAC 50/60 Hz		
Off State Power	0 W		
Power Consumption	ASD-DLP22D2235HE ASD-DLP22D2240HE ASD-DLP22D2250HE	ASD-DLP22D2735HE ASD-DLP22D2740HE ASD-DLP22D2750HE	ASD-DLP24D4035HE ASD-DLP24D4040HE ASD-DLP24D4050HE
	22 W	27 W	40W
Power Factor	≥ 0.9		
THD	< 20%		
Output voltage	30-42 V		
Max current	ASD-DLP22D2235HE ASD-DLP22D2240HE ASD-DLP22D2250HE	ASD-DLP22D2735HE ASD-DLP22D2740HE ASD-DLP22D2750HE	ASD-DLP24D4035HE ASD-DLP24D4040HE ASD-DLP24D4050HE
	500 mA	800 mA	1050 mA

Control	
Dimming Switch	Standard 0~10 V dimming 5% - 100%
Linking Lengths/Qty	15 cable feet x 20 panels

Dimming Compatible Controls

Regular and Voluntary Certifications	
5-year limited warranty	
DesignLights™ Consortium (DLC) listed	
cULus certified	E473854 - Panel E473855 - Driver

MFG	Model Number
Lutron	NFTV
Leviton	IPL710 DLZ
Leviton	IPL710 DL
Cooper	SF10P-W



LED Direct-Lit Panels

High Efficiency Series

LED EDGE-LIT PANEL ORDERING INFORMATION:

Model	Type	Watts	CCT	GTIN 12	GTIN 14	Product Code	Pcs in one Carton	Carton Size	Carton Weight
ASD-DLP22D2235HE	2x2	22 W	3500 K	859961005681	10859961005688	021.0213	2	25"x25"x3.2"	17.9 lbs
ASD-DLP22D2240HE	2x2	22 W	4000 K	859961005537	10859961005534	021.0211	2	25"x25"x3.2"	17.9 lbs
ASD-DLP22D2250HE	2x2	22 W	5000 K	859961005544	10859961005541	021.0212	2	25"x25"x3.2"	17.9 lbs
ASD-DLP22D2735HE	2x2	27 W	3500 K	859961005698	10859961005695	021.0214	2	25"x25"x3.2"	17.9 lbs
ASD-DLP22D2740HE	2x2	27 W	4000 K	859961005551	10859961005558	021.0205	2	25"x25"x3.2"	17.9 lbs
ASD-DLP22D2750HE	2x2	27 W	5000 K	859961005568	10859961005565	021.0206	2	25"x25"x3.2"	17.9 lbs
ASD-DLP24D4035HE	2x4	40 W	3500 K	859961005704	10859961005701	021.0215	2	25"x49"x3.2"	32.5 lbs
ASD-DLP24D4040HE	2x4	40 W	4000 K	859961005575	10859961005572	021.0209	2	25"x49"x3.2"	32.5 lbs
ASD-DLP24D4050HE	2x4	40 W	5000 K	859961005582	10859961005589	021.0210	2	25"x49"x3.2"	32.5 lbs

LED DRIVER ORDERING INFORMATION:

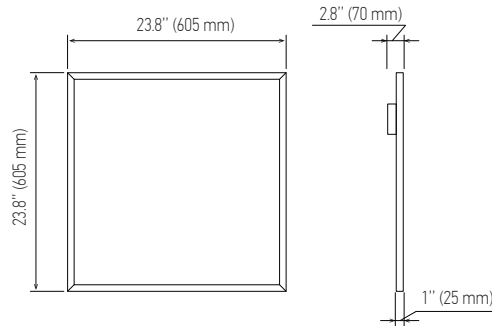
Model	Watts	GTIN 12	GTIN 14	Product Code	Pcs in one Carton	Carton Size	Carton Weight
ASD-BLP22D	22 W	859961005490	10859961005497	027.0104	4	12"x9.5"x5.1"	6.5 lbs
ASD-BLP27D	27 W	859961005506	10859961005503	027.0103	4	12"x9.5"x5.1"	6.5 lbs
ASD-BLP40D	40 W	859961005162	10859961005169	027.0101	4	12"x9.5"x5.1"	6.5 lbs



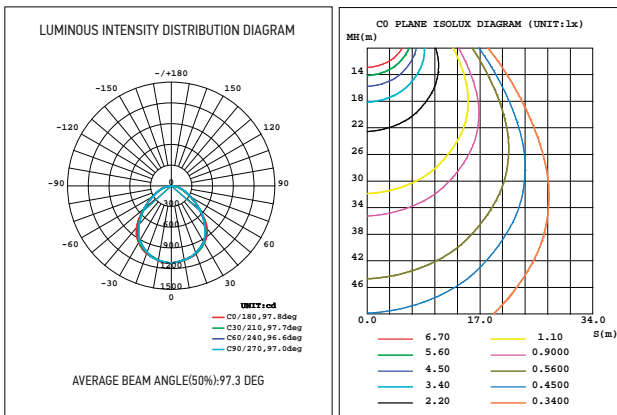
LED Direct-Lit Panels

High Efficiency Series

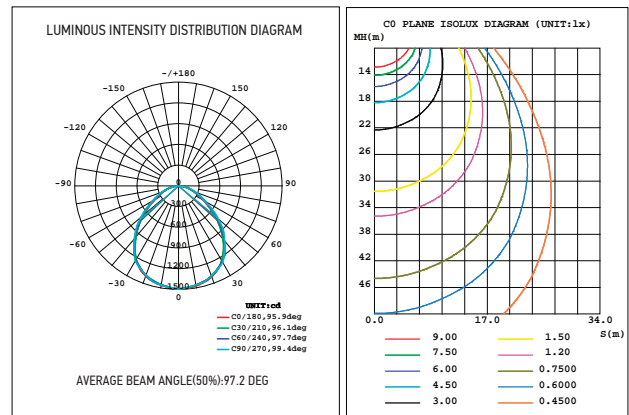
TYPE 2x2



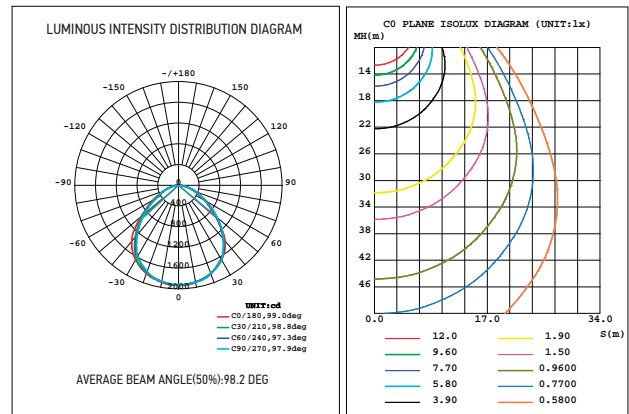
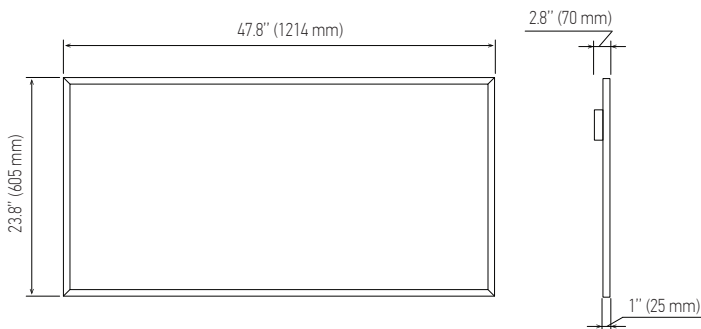
22W



27W



TYPE 2x4 40W





LED Direct-Lit Panels

High Efficiency Series

⚠ WARNING

RISK OF PERSONAL INJURY – READ and follow all WARNINGS and installation instructions.

Keep or give to the owner for future reference.

Risk of cuts: Wear gloves to prevent cuts or abrasions when removing from carton, handling, installing, and maintaining this product.

Risk of electric shock: This product must be installed in accordance with the applicable installation code by a person familiar with the construction and operation of the product and the hazards involved.

Risk of Fire: Minimum 90°C supply conductors. Consult a qualified electrician to ensure correct branch circuit conductor.

ASD® assumes no responsibility for claims arising out of improper or careless installation or handling of this product.

For recessed installation: Access above ceiling required. Inherently protected. Vapor barrier must be suitable for 90°C. Type IC.

⚠ AVERTISSEMENT

RISQUE DE BLESSURES – Lisez et suivez toutes les MISES EN GARDE et les instructions d'installation.

Tenir ou fournir au propriétaire pour référence future.

Risque de coupures: Porter des gants pour éviter les coupures ou des écorchures lors du retrait du carton, de la manutention, l'installation et le maintien de ce produit.

Risque de choc électrique: Ce produit doit être installé conformément au code d'installation applicable par une personne familiarisée avec la construction et l'exploitation du produit et les risques impliqués.

Risque d'incendie: minimum 90° C Alimentation conducteurs. Consultez un électricien qualifié pour assurer le bon conducteur de circuit de dérivation.

ASD® n'assume aucune responsabilité pour les réclamations découlant d'une installation inadéquate ou négligente ou de la manipulation de ce produit.

Pour installation encastré: Accès-dessus du plafond nécessaire. Intrinsèquement protégé. Barrière de vapeur doit être adapté à 90°C. Tapez IC.

⚠ ADVERTENCIA

RIESGO DE LESIONES PERSONALES – Lea y siga todas las advertencias e instrucciones de instalación.

Mantener o proporcionar al propietario para referencia futura.

Riesgo de cortes: Use guantes para evitar cortes o abrasiones en la eliminación de la caja, manejo, instalación y mantenimiento de este producto.

Riesgo de choque eléctrico. Este producto debe ser instalado de acuerdo con el código de Instalación aplicable en que una persona familiarizada con la construcción y operación del producto y los riesgos involucrados.

Riesgo de Incendio: Mínimo 90° C los conductores de suministro. Consulte a un electricista calificado para asegurarse el conductor correcto del circuito.

ASD® no asume ninguna responsabilidad por reclamaciones derivadas de una instalación inadecuada o negligente o la manipulación de este producto.

Para instalación empotrada: Acceso por encima del techo requerido. Inherentemente protegida. Barrera de vapor debe ser adecuado para 90°C. Escriba IC.



LED Direct-Lit Panels

High Efficiency Series

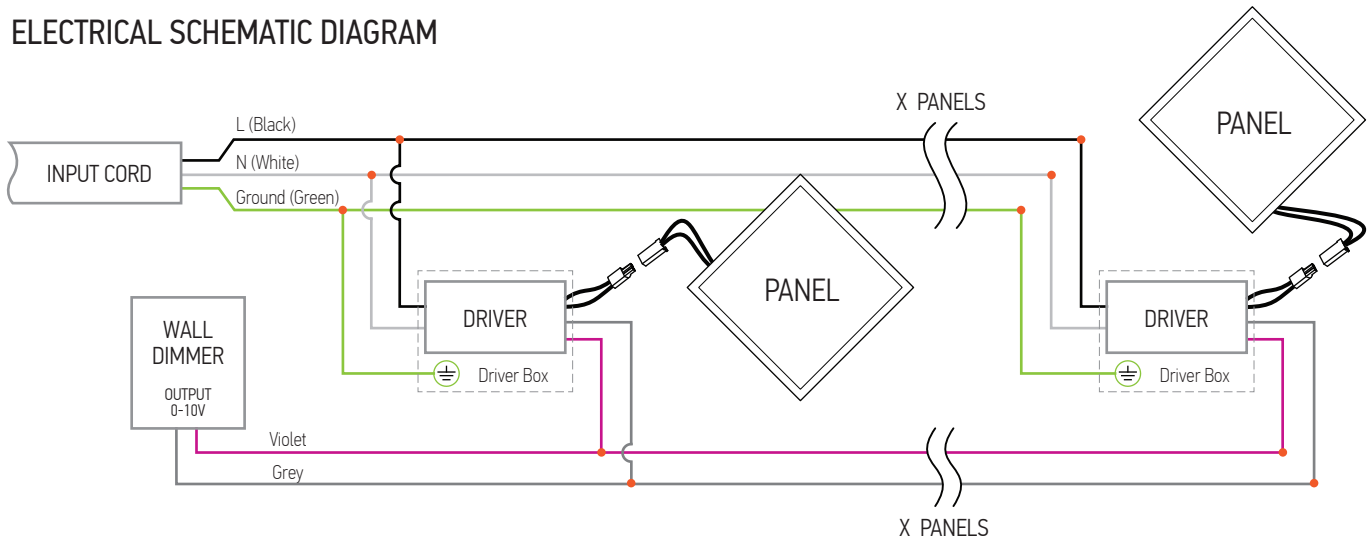
INSTALLATION GUIDE

IMPORTANT SAFETY INFORMATION:

Please read all the instructions below before installation.

- ▶ Make sure that the supply voltage corresponds to the rated product voltage.
- ▶ The product is designed for indoor use only.
- ▶ The product must be installed by a qualified electrician in accordance with the National Electrical Code and corresponding local codes.
- ▶ If the product is damaged, do not use it.
- ▶ The panel should be used with the LED Driver.

ELECTRICAL SCHEMATIC DIAGRAM



MASTER / SATELLITE DEFINITION:

Each panel can be wired as a Master/Satellite panel. During mounting, one fixture in the room should be wired as a Master, and the others in the room should be wired as Satellites.

Up to 20 panels can be linked to each master panel. Total power of LED Panels shall not exceed the wattage of dimmer.

BUILDING AUTOMATION COMPATIBLE:

Multiple panels can also be controlled from a single source. The panels can be linked to building automation systems. The driver can be remote-mounted at a distance of not more than 1.5m from the panel.



LED Direct-Lit Panels

High Efficiency Series

INSTALLATION STEPS

ASSEMBLING PANEL

1. Turn off the main power.

Connect the connector between LED Panel and output of LED Driver.

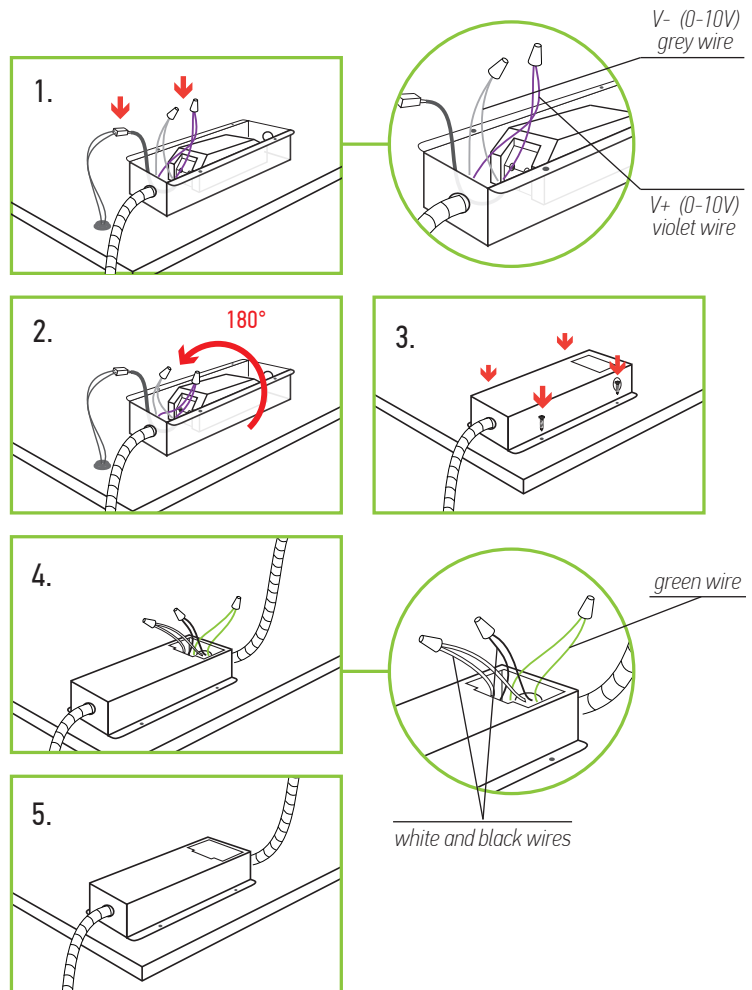
Insert the MC cable into the knock out hole of the junction box and connect the 0-10V signal lines to the junction box through the MC cable.

2. Turn over the driver box.

3. Fix the driver box on the panel with screws.

4. Open the lid of the junction box insert the MC cable into the knock out hole on the other side of the junction box and connect the power cord to the junction box through the MC cable.

5. Tidy up the wires into the driver box, and then fix the lid with screw.





LED Direct-Lit Panels

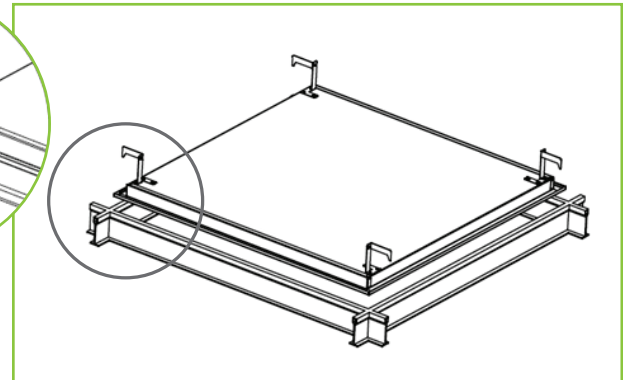
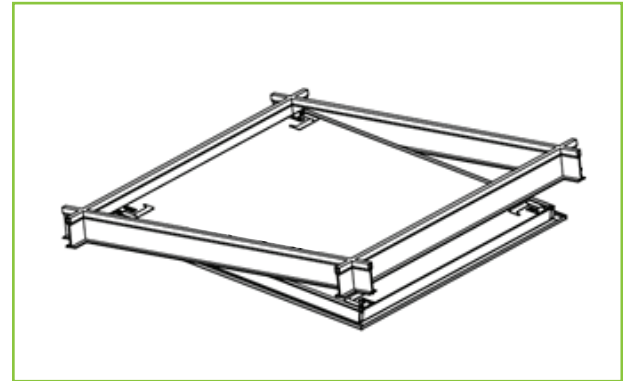
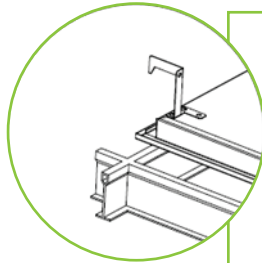
High Efficiency Series

RECESSED MOUNT

1. Choose the ceiling panel where you want to install the product, and remove it. For convenience, move adjacent ceiling tiles.

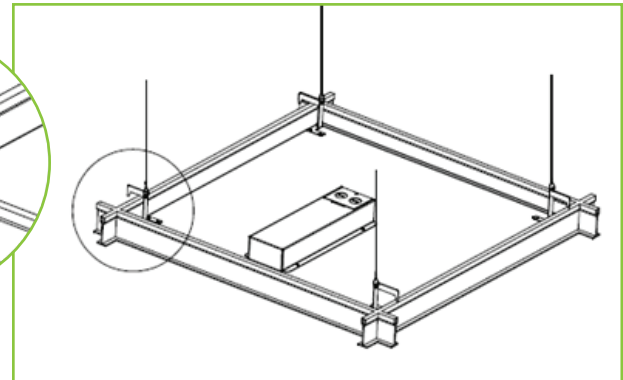
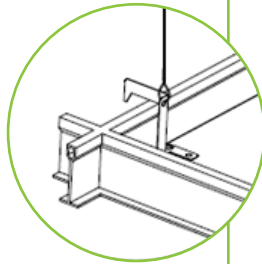
2. Fix the LED Panel into the ceiling: raise up the product above the bar, then place it on T-bars.

Two bend points for all four tabs



3. Secure the panel with the grid as shown in the picture.

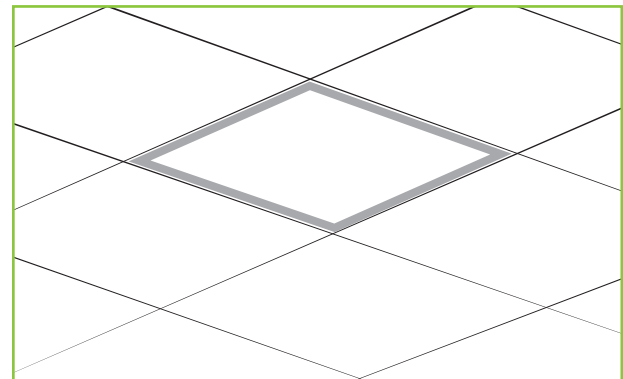
Ensure the tab is securely attached to the grid



4. Assemble the panel and connect wires as shown in "Assembling panel".

5. Return the adjacent ceiling tiles to their places.

6. Turn on the main power. Installation is finished.



Compatible with grid size		
15/16"	Slot T	9/16"



LED Direct-Lit Panels

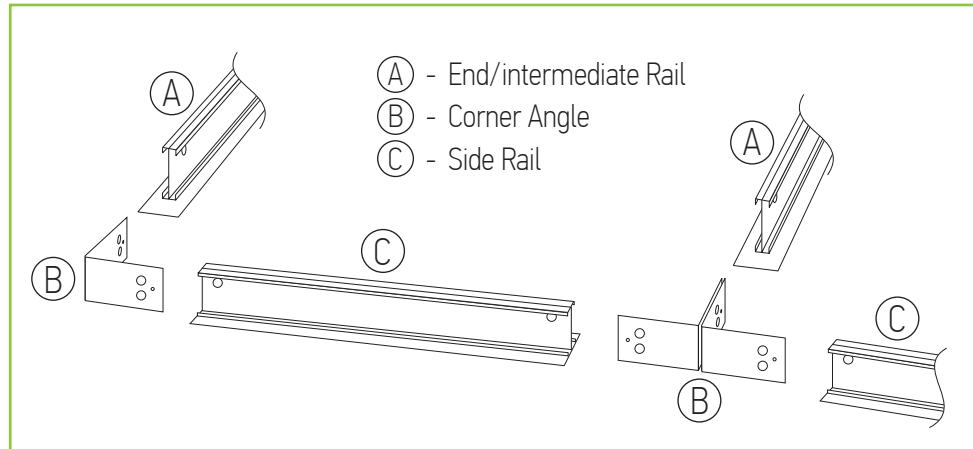
High Efficiency Series

RECESSED SHEETROCK MOUNT

Ceiling cutout sizes:

2x2 = 23 3/4" x 23 3/4"

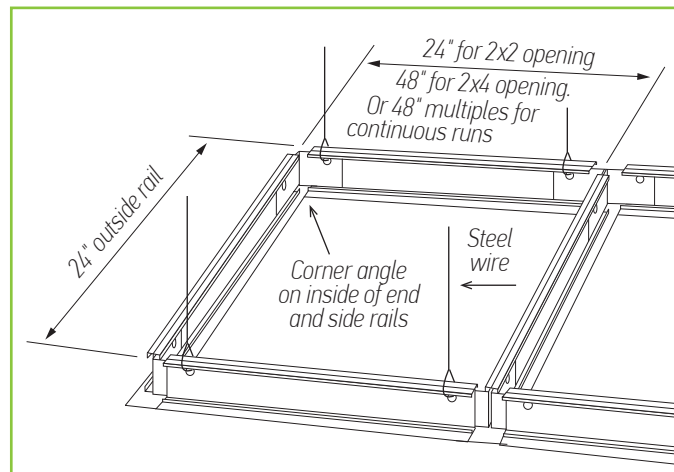
2x4 = 23 3/4" x 47 3/4"



1. Following the picture above, slide part B into the inboard side of parts C and A as shown.
2. Place assembled frame into a ceiling opening and add steel wires for support as pictured below.

Note:

- For best results, attach supporting steel wires going into the ceiling to sides of frame after assembly
- End rail can be used as intermediate rail for tandem row



Accessories for recessed sheetrock mount are sold separately.

FRAME FOR RECESSED SHEETROCK MOUNTING ORDERING INFORMATION:

GTIN 12	Model Number	Panel Size
855029006393	ASD-FDW-ELP22	2x2
857622006107	ASD-FDW-ELP24	2x4