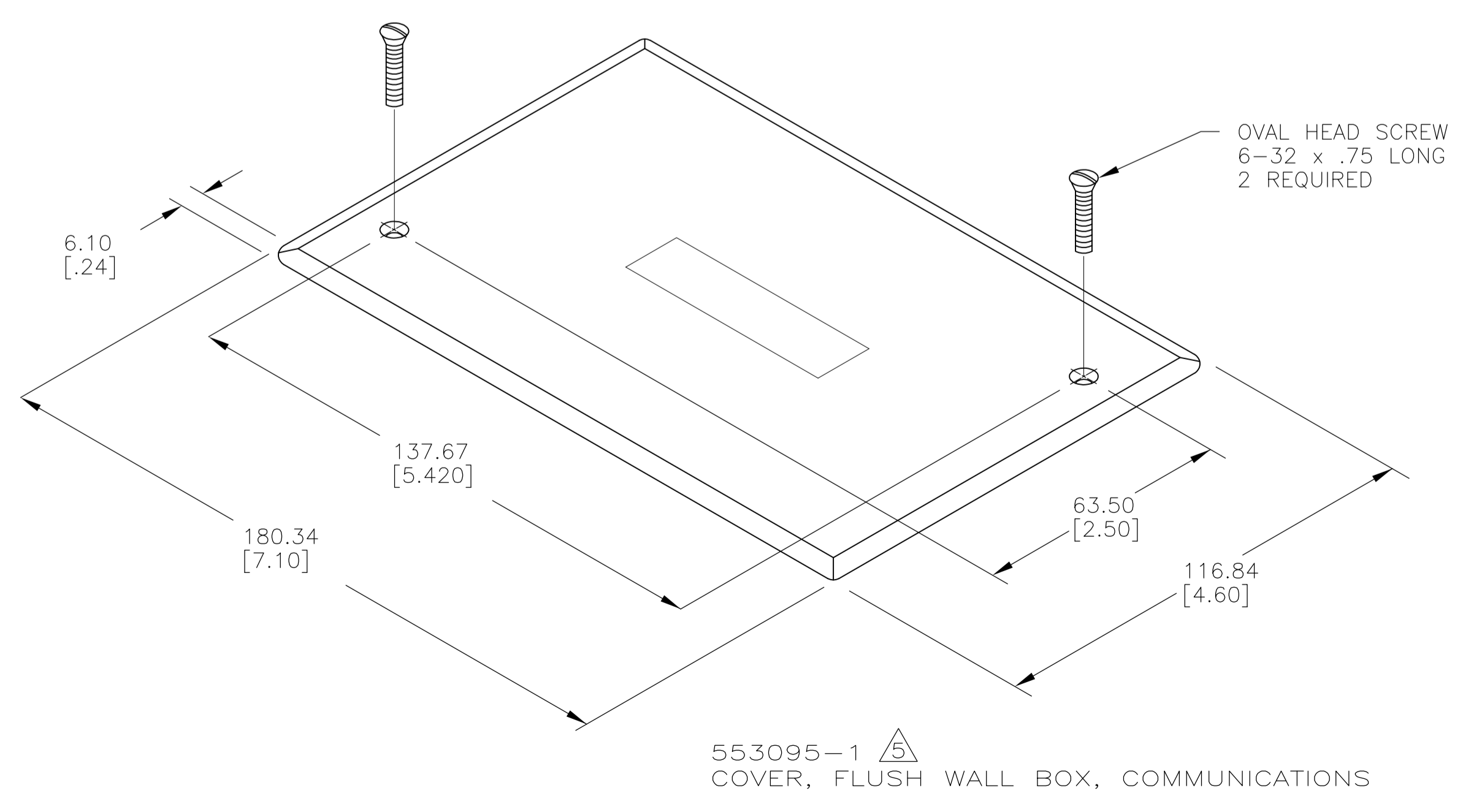


- 1. DIMENSIONS ARE FOR REFERENCE ONLY UNLESS OTHERWISE SPECIFIED.
- 2. KIT SHIPPED UNASSEMBLED
- 3. CATEGORY 5E CABLE:
OUTER JACKET-POLYVINYLCHORIDE, GRAY.
CONDUCTORS: COPPER, 24 AWG.
CONDUCTOR INSULATION: POLYETHELENE OR TEFLON, COLOR CODED.
- 4. FLUSH WALL BOX, COMMUNICATIONS:
FRAME AND SUPPORT- GALVANIZED CARBON STEEL.
- 5. FLUSH WALL BOX COVER COMMUNICATIONS:
COVER - CLEAR ANODIZED ALUMINUM ALLOY.
HARDWARE - ZINC PLATED STEEL.
- 6. FLUSH WALL BOX COVER:
COVER - POWDER COATED ALUMINUM ALLOY.
HARDWARE - ZINC PLATED STEEL.
- 7. FLUSH WALL BOX:
CARBON STEEL, PREGALVANIZED.
- 8. DATA KIT:
BRACKET - ABS, UL 94V-0 RATED.
HOUSING - POLYPHENYLENE OXIDE.
110 BLOCKS - POLYCARBONATE.
CONTACTS - GOLD OVER PHOSPHOROUS BRONZE.

(NOTES CONTINUED ON SHEET 2)



QTY	UNIT	DESCRIPTION	ITEM NO.
19		FLAT WIRE, 5 COND, 12AWG	19
18		5C DCR ADAPTER, BLACK	18
17		5C DCR	17
16		FLOOR FITTING KIT	16
15		DUAL DUPLEX DCR	15
14		FLOOR FITTING KIT - 4 PORT	14
13		SPRAY ADHESIVE, CAN	13
12	50 FT	FLOOR PREP	12
11	50 FT	TOP SHIELD	11
10	50 FT EA	FLAT WIRE, 3 COND, 12AWG	10
9		ASSY, POWER TRANSITION BLOCK	9
7		FLUSH WALL BOX/COVER KIT	7
6		KIT, DATA, 110 M/JK, EIA, CAT.5E	6
5		KIT, JUMPER BOARD, 110 BLOCK	5
4		KIT, COVER, WALL, FLUSH	4
3		HOLD DOWN TAPE, ROLL	3
2		KIT, FRAME, TRANS, FLUSH, WALL	2
1	100 FT EA	CA,CAT5E,4UTP,24AWG,CMUC	1

QTY	UNIT	DESCRIPTION	ITEM NO.
19		FLAT WIRE, 5 COND, 12AWG	19
18		5C DCR ADAPTER, BLACK	18
17		5C DCR	17
16		FLOOR FITTING KIT	16
15		DUAL DUPLEX DCR	15
14		FLOOR FITTING KIT - 4 PORT	14
13		SPRAY ADHESIVE, CAN	13
12	50 FT	FLOOR PREP	12
11	50 FT	TOP SHIELD	11
10	50 FT EA	FLAT WIRE, 3 COND, 12AWG	10
9		ASSY, POWER TRANSITION BLOCK	9
7		FLUSH WALL BOX/COVER KIT	7
6		KIT, DATA, 110 M/JK, EIA, CAT.5E	6
5		KIT, JUMPER BOARD, 110 BLOCK	5
4		KIT, COVER, WALL, FLUSH	4
3		HOLD DOWN TAPE, ROLL	3
2		KIT, FRAME, TRANS, FLUSH, WALL	2
1	100 FT EA	CA,CAT5E,4UTP,24AWG,CMUC	1

QTY	UNIT	DESCRIPTION	ITEM NO.
19		FLAT WIRE, 5 COND, 12AWG	19
18		5C DCR ADAPTER, BLACK	18
17		5C DCR	17
16		FLOOR FITTING KIT	16
15		DUAL DUPLEX DCR	15
14		FLOOR FITTING KIT - 4 PORT	14
13		SPRAY ADHESIVE, CAN	13
12	50 FT	FLOOR PREP	12
11	50 FT	TOP SHIELD	11
10	50 FT EA	FLAT WIRE, 3 COND, 12AWG	10
9		ASSY, POWER TRANSITION BLOCK	9
7		FLUSH WALL BOX/COVER KIT	7
6		KIT, DATA, 110 M/JK, EIA, CAT.5E	6
5		KIT, JUMPER BOARD, 110 BLOCK	5
4		KIT, COVER, WALL, FLUSH	4
3		HOLD DOWN TAPE, ROLL	3
2		KIT, FRAME, TRANS, FLUSH, WALL	2
1	100 FT EA	CA,CAT5E,4UTP,24AWG,CMUC	1

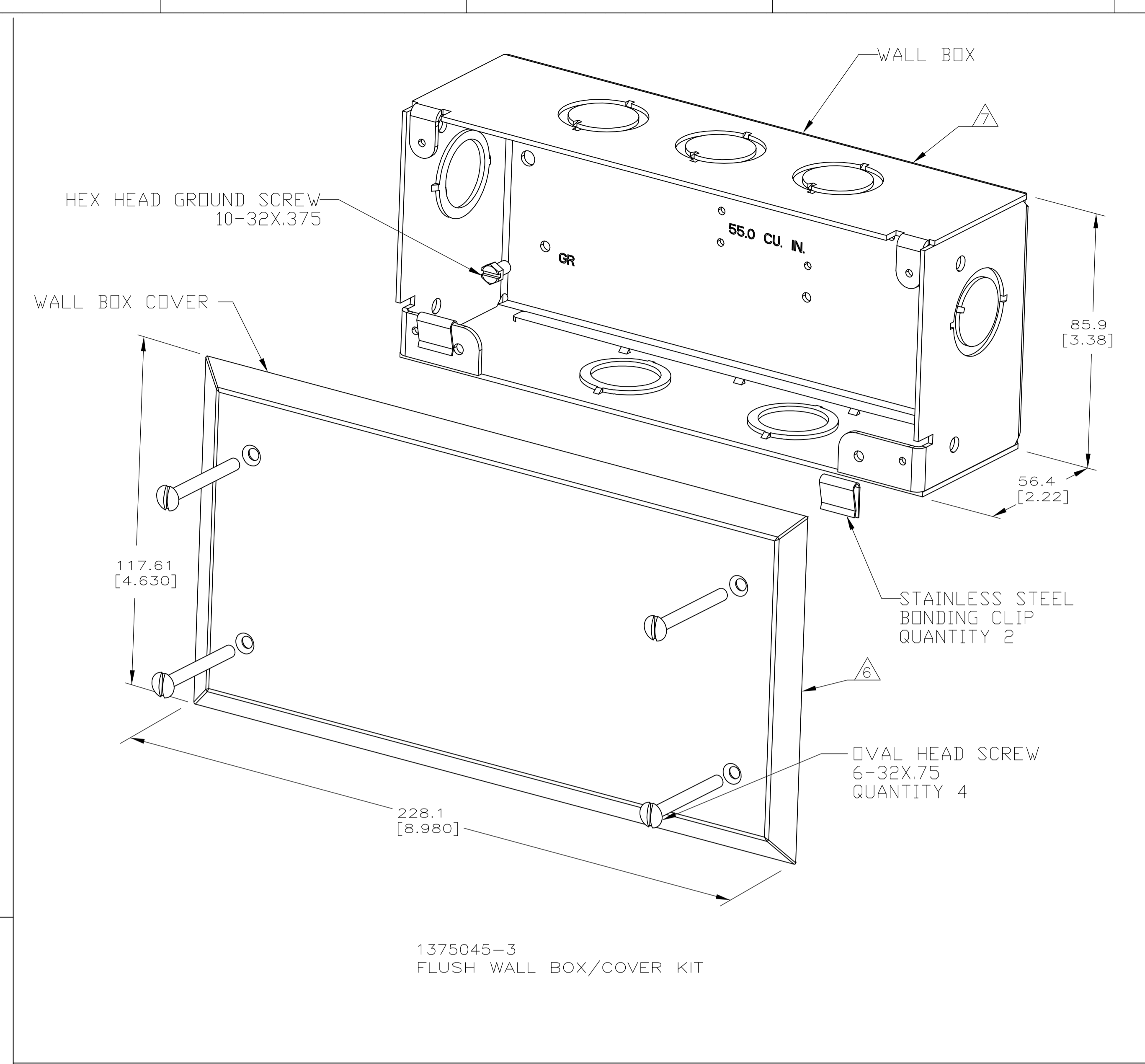
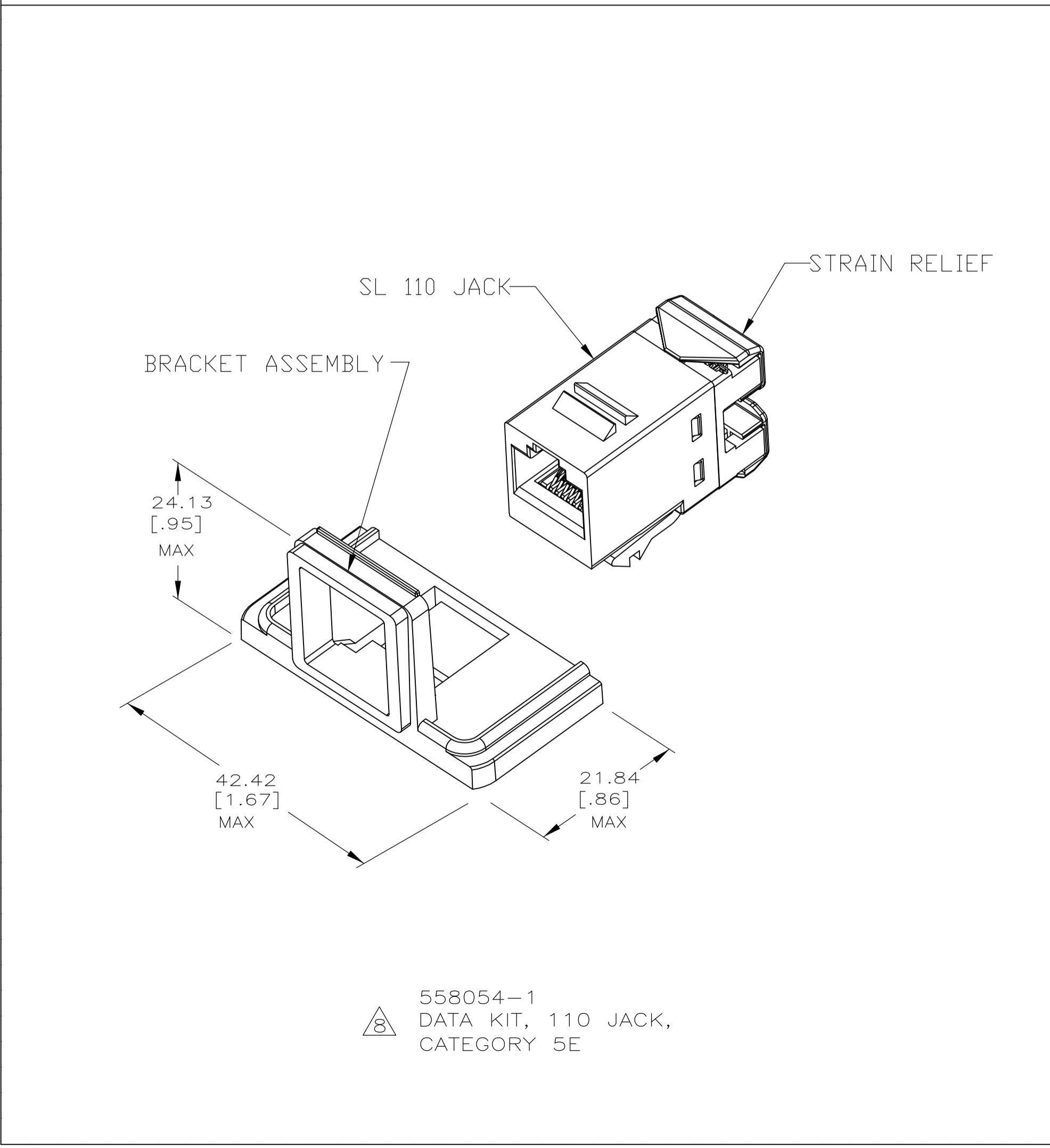
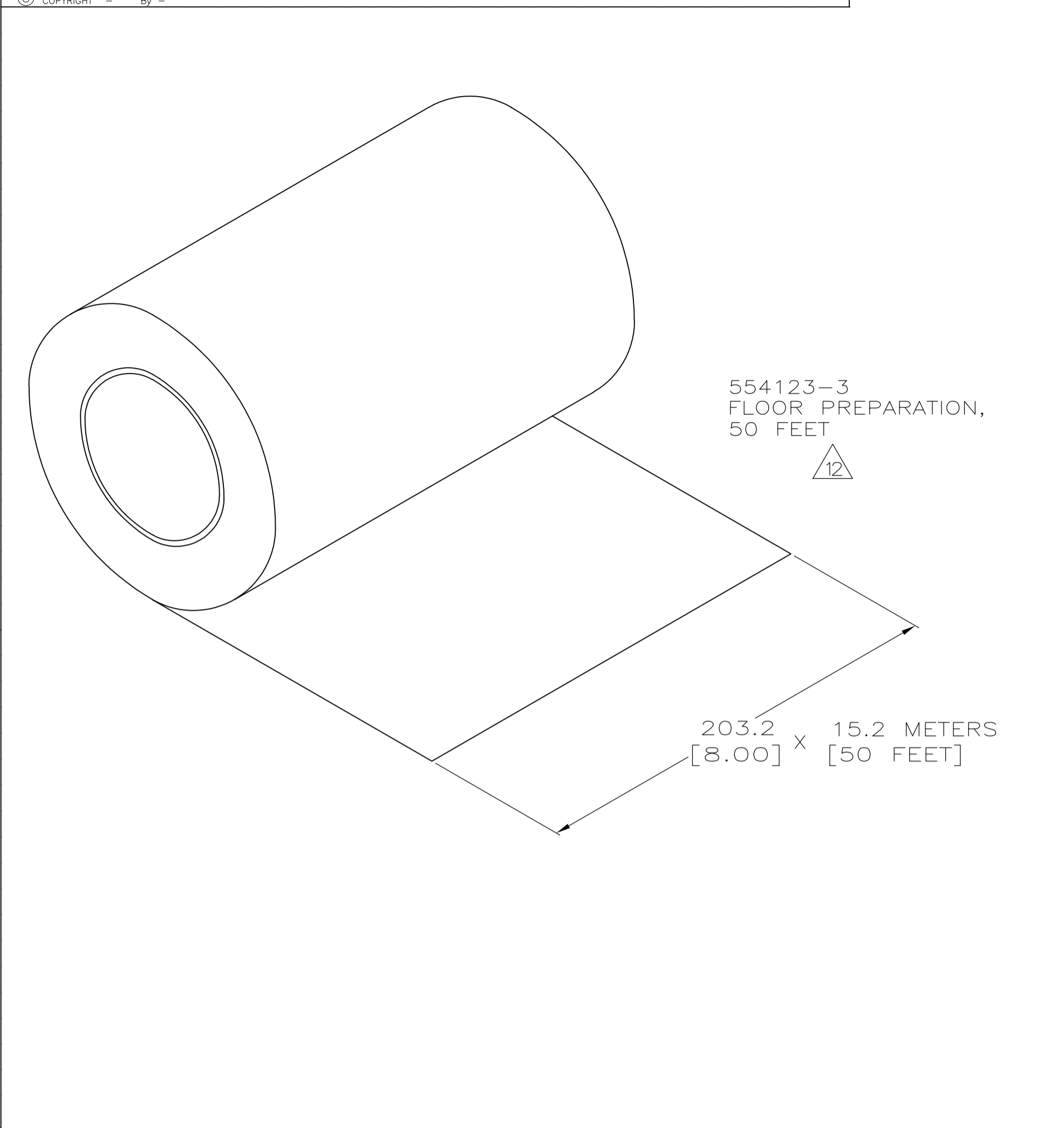
QTY	UNIT	DESCRIPTION	ITEM NO.
19		FLAT WIRE, 5 COND, 12AWG	19
18		5C DCR ADAPTER, BLACK	18
17		5C DCR	17
16		FLOOR FITTING KIT	16
15		DUAL DUPLEX DCR	15
14		FLOOR FITTING KIT - 4 PORT	14
13		SPRAY ADHESIVE, CAN	13
12	50 FT	FLOOR PREP	12
11	50 FT	TOP SHIELD	11
10	50 FT EA	FLAT WIRE, 3 COND, 12AWG	10
9		ASSY, POWER TRANSITION BLOCK	9
7		FLUSH WALL BOX/COVER KIT	7
6		KIT, DATA, 110 M/JK, EIA, CAT.5E	6
5		KIT, JUMPER BOARD, 110 BLOCK	5
4		KIT, COVER, WALL, FLUSH	4
3		HOLD DOWN TAPE, ROLL	3
2		KIT, FRAME, TRANS, FLUSH, WALL	2
1	100 FT EA	CA,CAT5E,4UTP,24AWG,CMUC	1

QTY	UNIT	DESCRIPTION	ITEM NO.
19		FLAT WIRE, 5 COND, 12AWG	19
18		5C DCR ADAPTER, BLACK	18
17		5C DCR	17
16		FLOOR FITTING KIT	16
15		DUAL DUPLEX DCR	15
14		FLOOR FITTING KIT - 4 PORT	14
13		SPRAY ADHESIVE, CAN	13
12	50 FT	FLOOR PREP	12
11	50 FT	TOP SHIELD	11
10	50 FT EA	FLAT WIRE, 3 COND, 12AWG	10
9		ASSY, POWER TRANSITION BLOCK	9
7		FLUSH WALL BOX/COVER KIT	7
6		KIT, DATA, 110 M/JK, EIA, CAT.5E	6
5		KIT, JUMPER BOARD, 110 BLOCK	5
4		KIT, COVER, WALL, FLUSH	4
3		HOLD DOWN TAPE, ROLL	3
2		KIT, FRAME, TRANS, FLUSH, WALL	2
1	100 FT EA	CA,CAT5E,4UTP,24AWG,CMUC	1

QTY	UNIT	DESCRIPTION	ITEM NO.
19		FLAT WIRE, 5 COND, 12AWG	19
18		5C DCR ADAPTER, BLACK	18
17		5C DCR	17
16		FLOOR FITTING KIT	16
15		DUAL DUPLEX DCR	15
14		FLOOR FITTING KIT - 4 PORT	14
13		SPRAY ADHESIVE, CAN	13
12	50 FT	FLOOR PREP	12
11	50 FT	TOP SHIELD	11
10	50 FT EA	FLAT WIRE, 3 COND, 12AWG	10
9		ASSY, POWER TRANSITION BLOCK	9
7		FLUSH WALL BOX/COVER KIT	7
6		KIT, DATA, 110 M/JK, EIA, CAT.5E	6
5		KIT, JUMPER BOARD, 110 BLOCK	5
4		KIT, COVER, WALL, FLUSH	4
3		HOLD DOWN TAPE, ROLL	3
2		KIT, FRAME, TRANS, FLUSH, WALL	2
1	100 FT EA	CA,CAT5E,4UTP,24AWG,CMUC	1

QTY	UNIT	DESCRIPTION	ITEM NO.
19		FLAT WIRE, 5 COND, 12AWG	19
18		5C DCR ADAPTER, BLACK	18
17		5C DCR	17
16		FLOOR FITTING KIT	16
15		DUAL DUPLEX DCR	15
14		FLOOR FITTING KIT - 4 PORT	14
13		SPRAY ADHESIVE, CAN	13
12	50 FT	FLOOR PREP	12
11	50 FT	TOP SHIELD	11
10	50 FT EA	FLAT WIRE, 3 COND, 12AWG	10
9		ASSY, POWER TRANSITION BLOCK	9
7		FLUSH WALL BOX/COVER KIT	7
6		KIT, DATA, 110 M/JK, EIA, CAT.5E	6
5		KIT, JUMPER BOARD, 110 BLOCK	5
4		KIT, COVER, WALL, FLUSH	4
3		HOLD DOWN TAPE, ROLL	3
2		KIT, FRAME, TRANS, FLUSH, WALL	2
1	100 FT EA	CA,CAT5E,4UTP,24AWG,CMUC	1

QTY	UNIT	DESCRIPTION	ITEM NO.
19		FLAT WIRE, 5 COND, 12AWG	19
18		5C DCR ADAPTER, BLACK	18
17		5C DCR	17
16		FLOOR FITTING KIT	16
15		DUAL DUPLEX DCR	15
14		FLOOR FITTING KIT - 4 PORT	14
13		SPRAY ADHESIVE, CAN	13
12	50 FT	FLOOR PREP	12
11	50 FT	TOP SHIELD	11
10	50 FT EA	FLAT WIRE, 3 COND, 12AWG	10
9		ASSY, POWER TRANSITION BLOCK	9
7		FLUSH WALL BOX/COVER KIT	7
6		KIT, DATA, 110 M/JK, EIA, CAT.5E	6
5		KIT, JUMPER BOARD, 110 BLOCK	5
4		KIT, COVER, WALL, FLUSH	4
3		HOLD DOWN TAPE, ROLL	3
2		KIT, FRAME, TRANS, FLUSH, WALL	2
1	100 FT EA	CA,CAT5E,4UTP,24AWG,CMUC	1

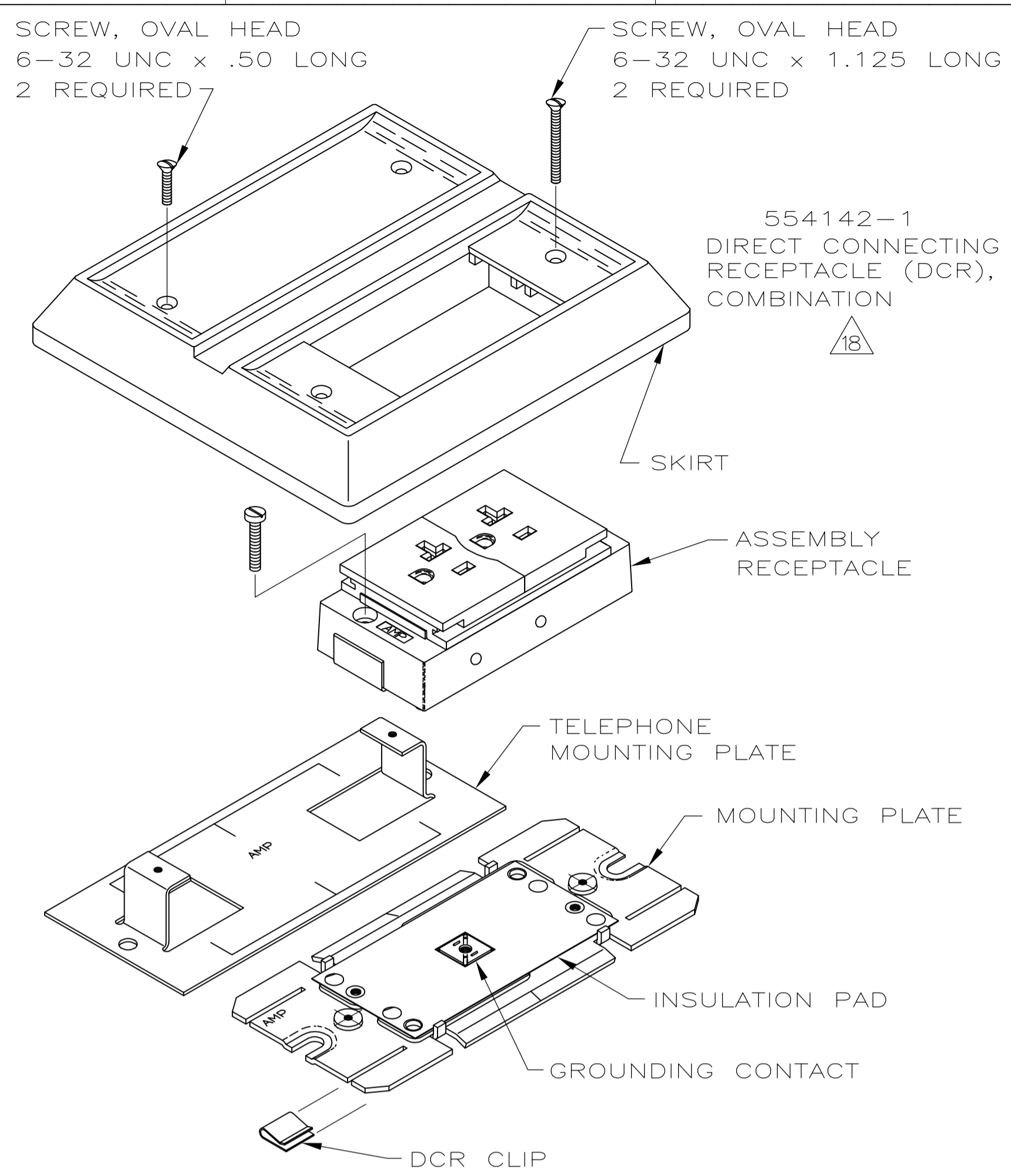
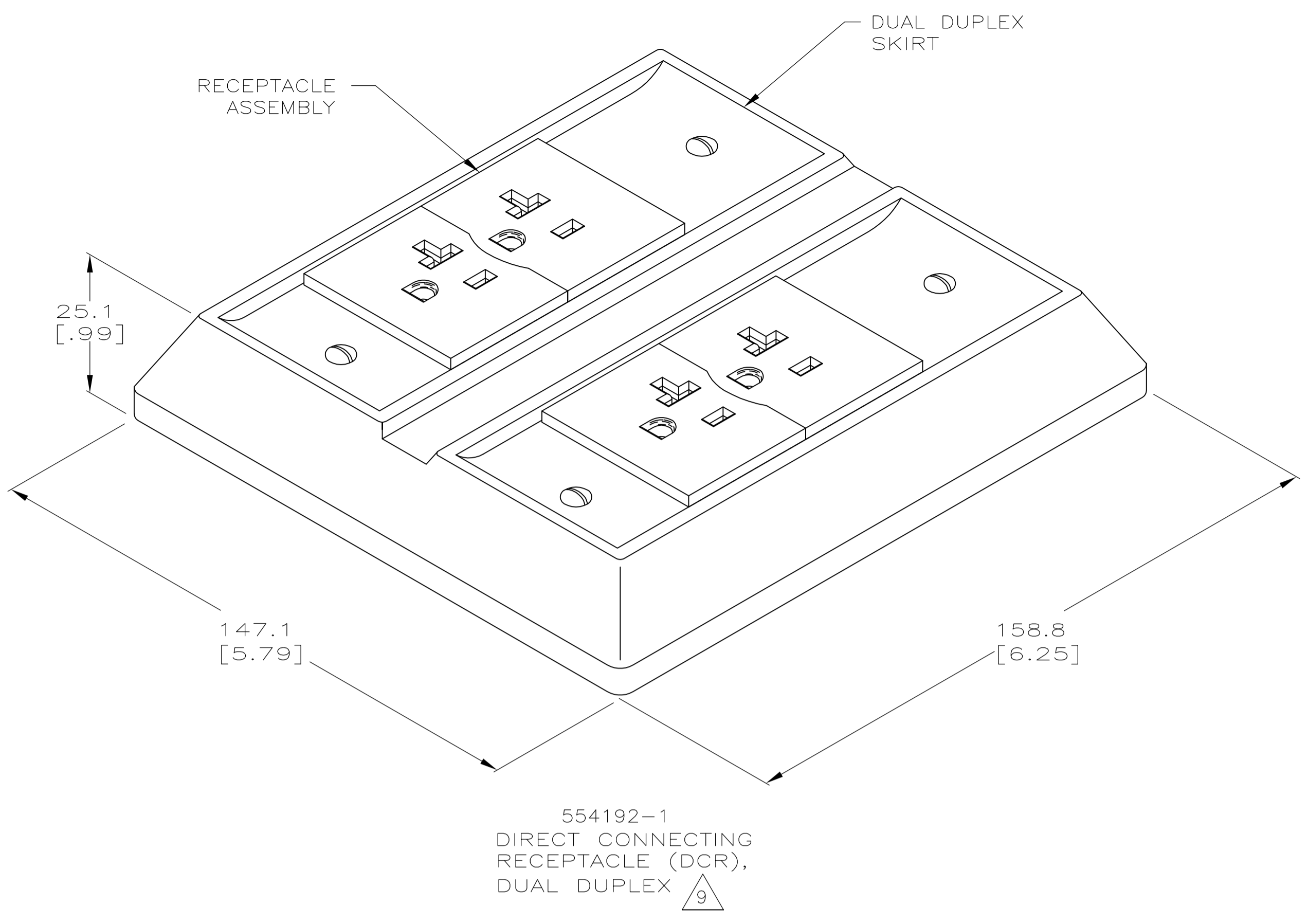


LOC	DIST	REVISIONS				
HM	00	REV	DESCRIPTION	DATE	BY	APPV
-	-	1	SEE SHEET 1	-	-	-

- 9 DUAL DUPLEX KIT, DIRECT CONNECTING RECEPTACLE: SKIRT - FLAME RETARDANT PLASTIC. RECEPTACLE - THERMOPLASTIC. HARDWARE - ZINC PLATED STEEL. TERMINALS AND GROUND DISC - COPPER ALLOY. INSULATION PAD - VULCANIZED FIBRE. MOUNTING PLATES - GALVANIZED CARBON STEEL. GND. CLIP - STAINLESS STEEL.
- 10 POWER TRANSITION BLOCK: UPPER ASSEMBLY - POLYESTER MOLDING COMPOUND. LOWER ASSEMBLY - CARBON STEEL, PREGALVANIZED, G90 PLATING. TERMINAL SCREWS - BRASS. ASSEMBLY SCREWS - ZINC PLATED STEEL. TERMINALS - COPPER ALLOY. WASHERS - FIBER.
- 11 CATEGORY 5E TRANSITION BLOCK: PRINTED CIRCUIT BOARD - LAMINATED PLASTIC SHEET, 1.57[.062] THICK. 110 BLOCK - POLYMER MOLDING COMPOUND, IVORY. TERMINALS - PHOSPHOR BRONZE PLATED WITH 3.81 μm[.000150] MINIMUM THICK TIN-LEAD OVER 1.27 μm[.000050] MINIMUM THICK NICKEL UNDERPLATE. MOUNTING TRACK - POLYMER MOLDING COMPOUND, BLACK.
- 12 FLOOR PREPARATION: POLYVINYL CHLORIDE SHEET, YELLOW, 0.25 [.010] THICK.
- 13 FLAT CABLE FILM - POLYESTER. CONDUCTORS - COPPER. SHIELD - POLYVINYL CHLORIDE.
- 14 MULTI-PURPOSE TAPE: ADHESIVE BACKED POLYETHYLENE COATED COTTON CLOTH, BLACK, 0.33 [.013] THICK

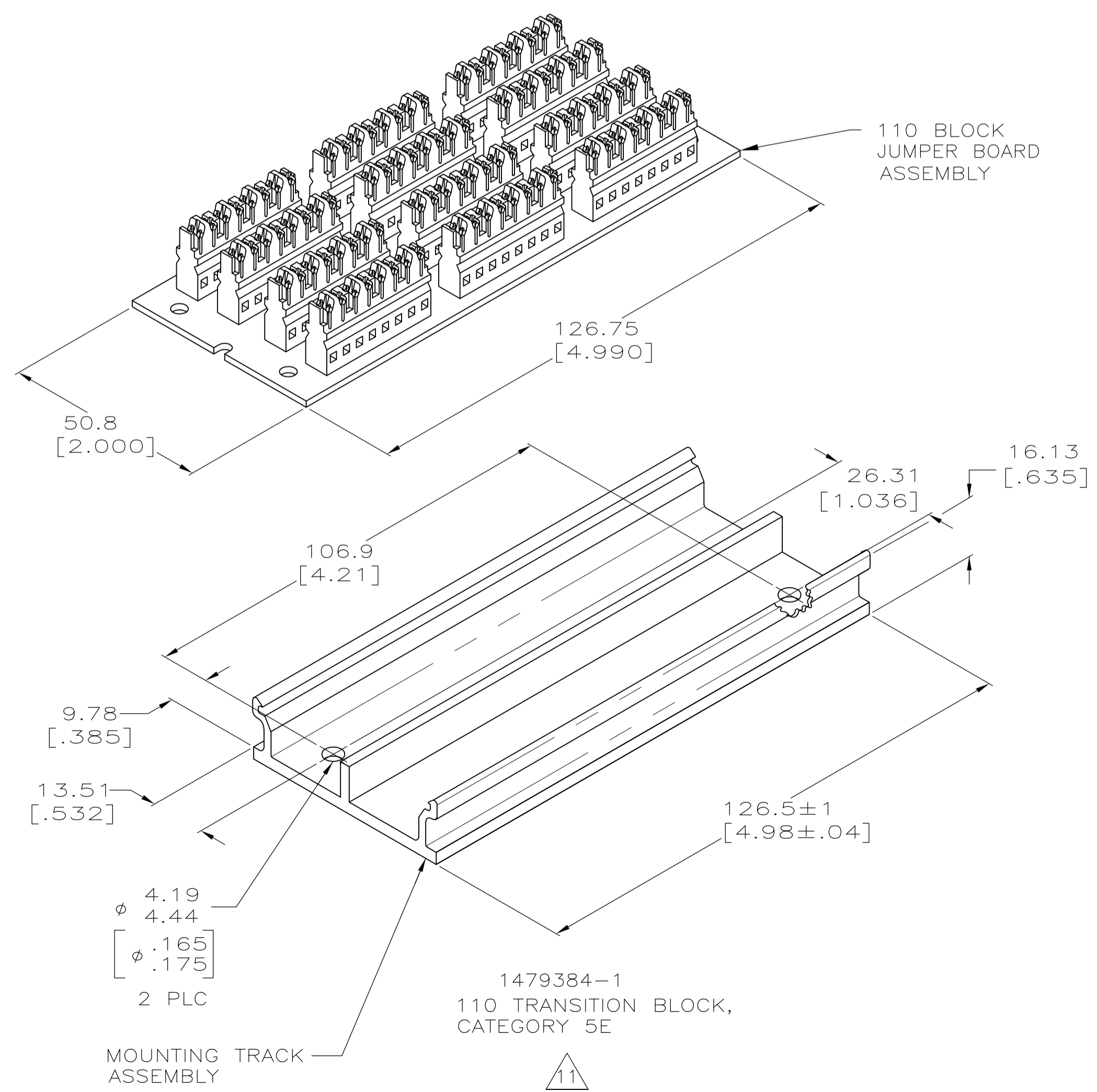
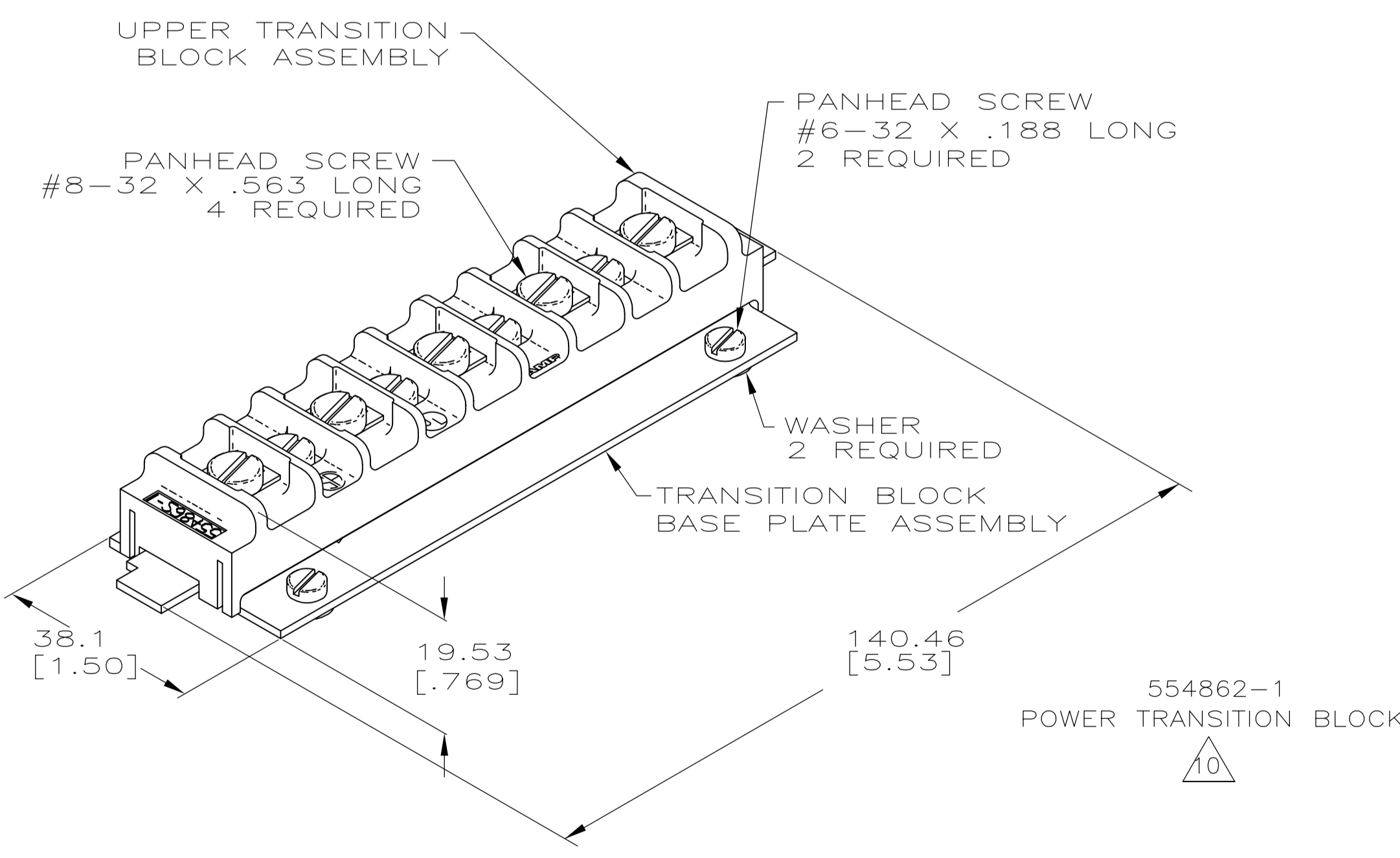
(NOTES CONTINUED ON SHEET 3)

THIS DRAWING IS A CONTROLLED DOCUMENT.		DIN	L. HALL	30JUL01
DIMENSIONS: mm [INCHES]		CHK	L. SMITH	27JUL01
TOLERANCES UNLESS OTHERWISE SPECIFIED:		APVD	F. LINCOLN	30JUL01
0. PLC	± .001	NAME		
1. PLC	± .002	KIT, POWER/DATA, UC		
2. PLC	± .003	-		
3. PLC	± .004	-		
4. PLC	± .005	-		
ANGLES	± .001	SIZE	A1	CAGE CODE
		DRAWING NO	00779	DRAWING NO
MATERIAL	-	WEIGHT	-	1479050
FINISH	-	CUSTOMER DRAWING	SCALE	NONE
		SHEET	2	OF 4
		REV	J	

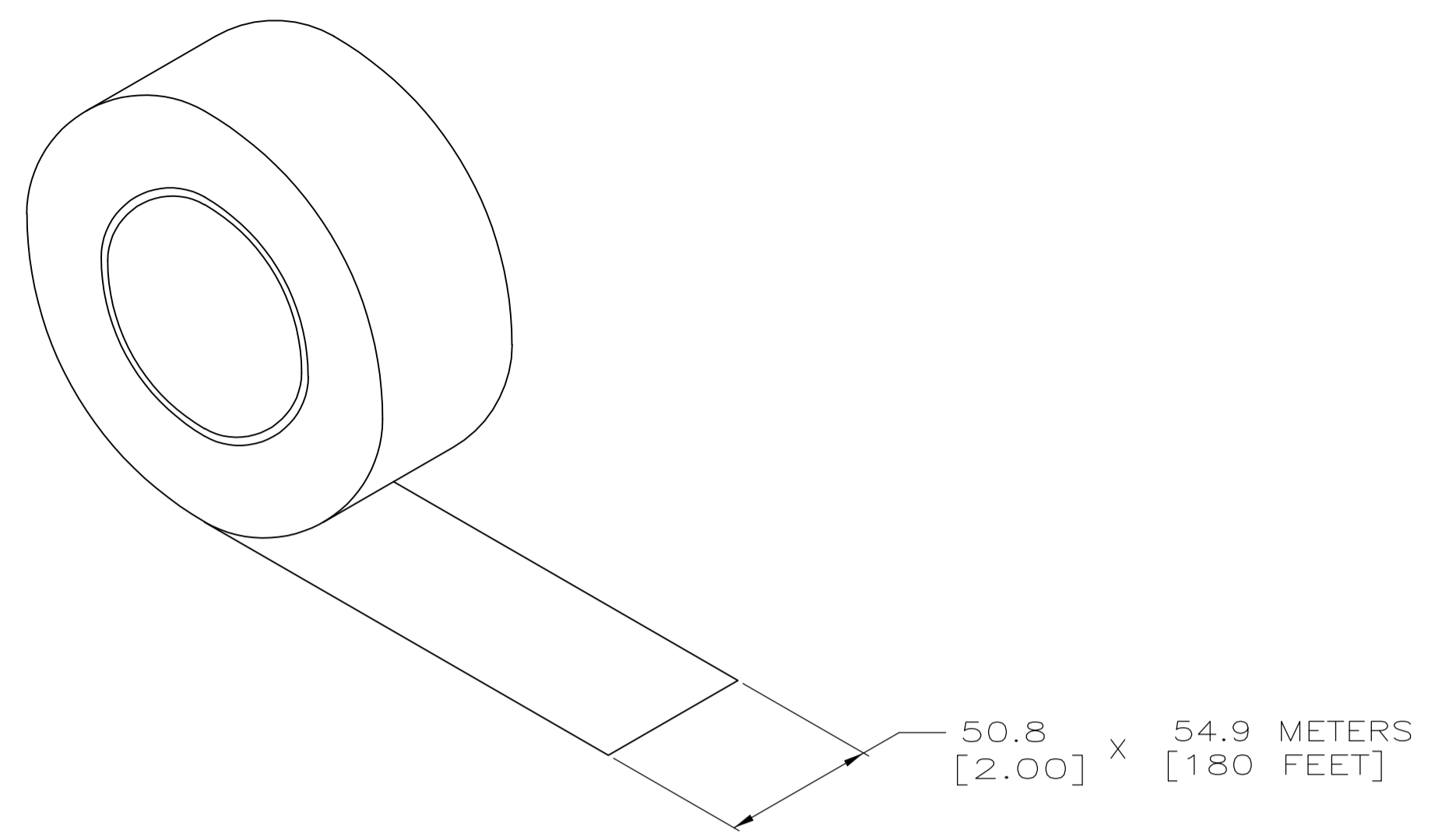


LOC	DIST	REVISIONS			
F	LTR	DESCRIPTION	DATE	DNW	APVO
-	-	SEE SHEET 1	-	-	-

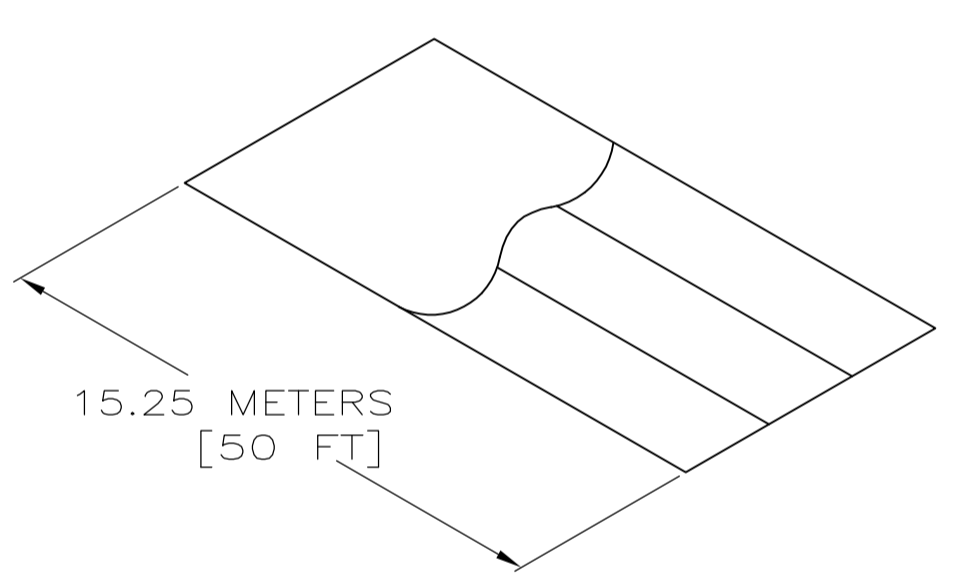
- 15 TOP SHIELD: STAINLESS STEEL, 0.25 [.010] THICK.
- 16 FLOOR PREPARATION ADHESIVE: 24 FLUID OUNCES.
- 17 FLOOR FITTING KIT, DUAL, BLANK, 4 PORT: SKIRT-FLAME RETARDANT PLASTIC. HARDWARE-ZINC OR BLACK OXIDE PLATED CARBON STEEL. MOUNTING PLATE-GALVANIZED CARBON STEEL.
- 18 FLOOR FITTING KIT: SKIRT - FLAME RETARDANT PLASTIC. RECEPTACLE - THERMOPLASTIC. HARDWARE - ZINC PLATED STEEL. TERMINALS AND GROUND DISC - COPPER ALLOY. INSULATION PAD - VULCANIZED FIBRE. MOUNTING PLATES - GALVANIZED CARBON STEEL. DCR CLIP - STAINLESS STEEL.



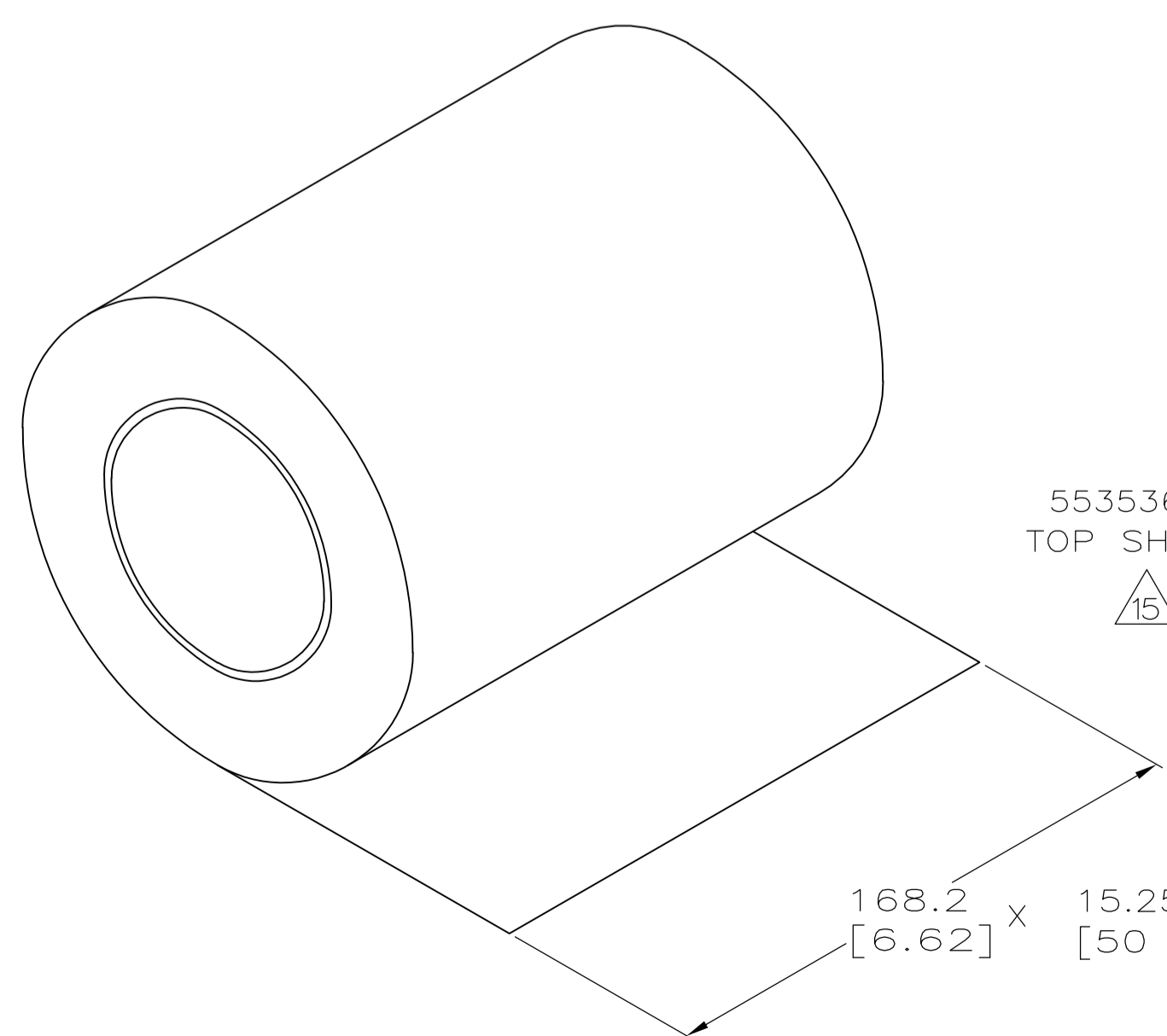
THIS DRAWING IS A CONTROLLED DOCUMENT.		DIN L HALL 30JUL01	TE Connectivity
DIMENSIONS: mm [INCHES]		CHK L SMITH 27JUL01	
TOLERANCES UNLESS OTHERWISE SPECIFIED:		APVO F LINCOLN 30JUL01	NAME KIT, POWER/DATA, UC
0 PLC ± -	1 PLC ± -	PRODUCT SPEC	-
2 PLC ± -	3 PLC ± -	APPLICATION SPEC	-
4 PLC ± -	ANGLES ± -	SIZE	A1
MATERIAL		WEIGHT	00779C=1479050
FINISH		CUSTOMER DRAWING	SCALE NONE SHEET 3 OF 4 REV J



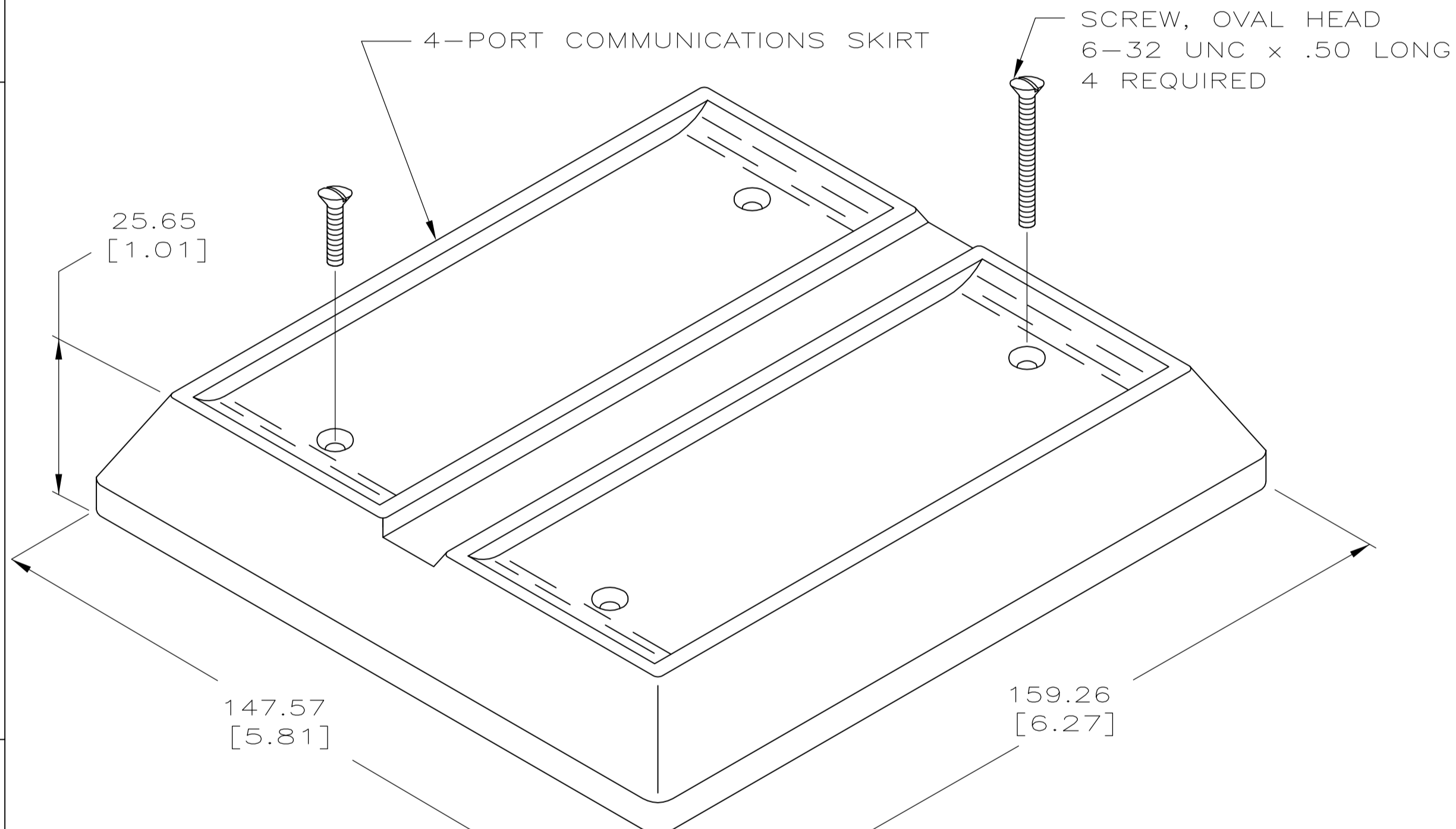
553481-1
HOLD DOWN TAPE, ROLL



3-553079-3
FLAT CONDUCTOR CABLE
(TYPE FCC), 3 CONDUCTOR,
12 AWG

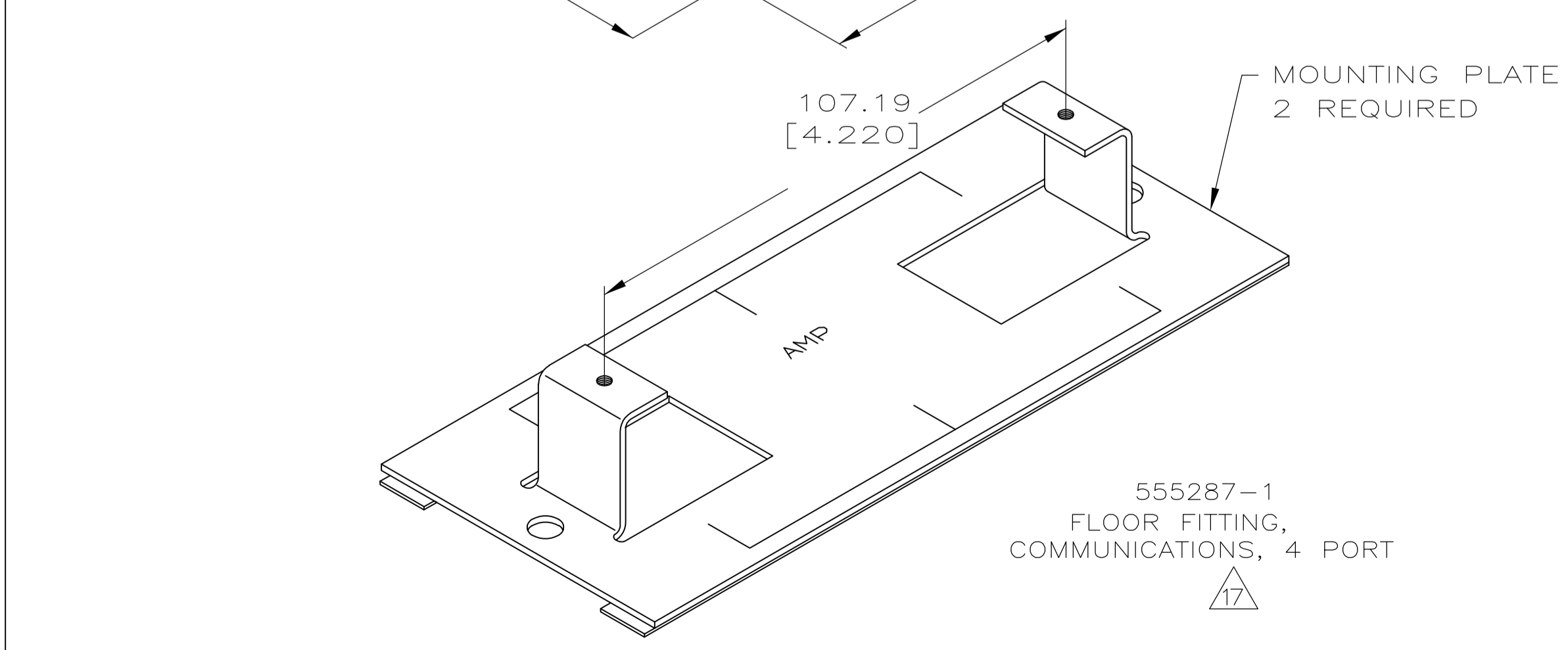


553536-3
TOP SHIELD



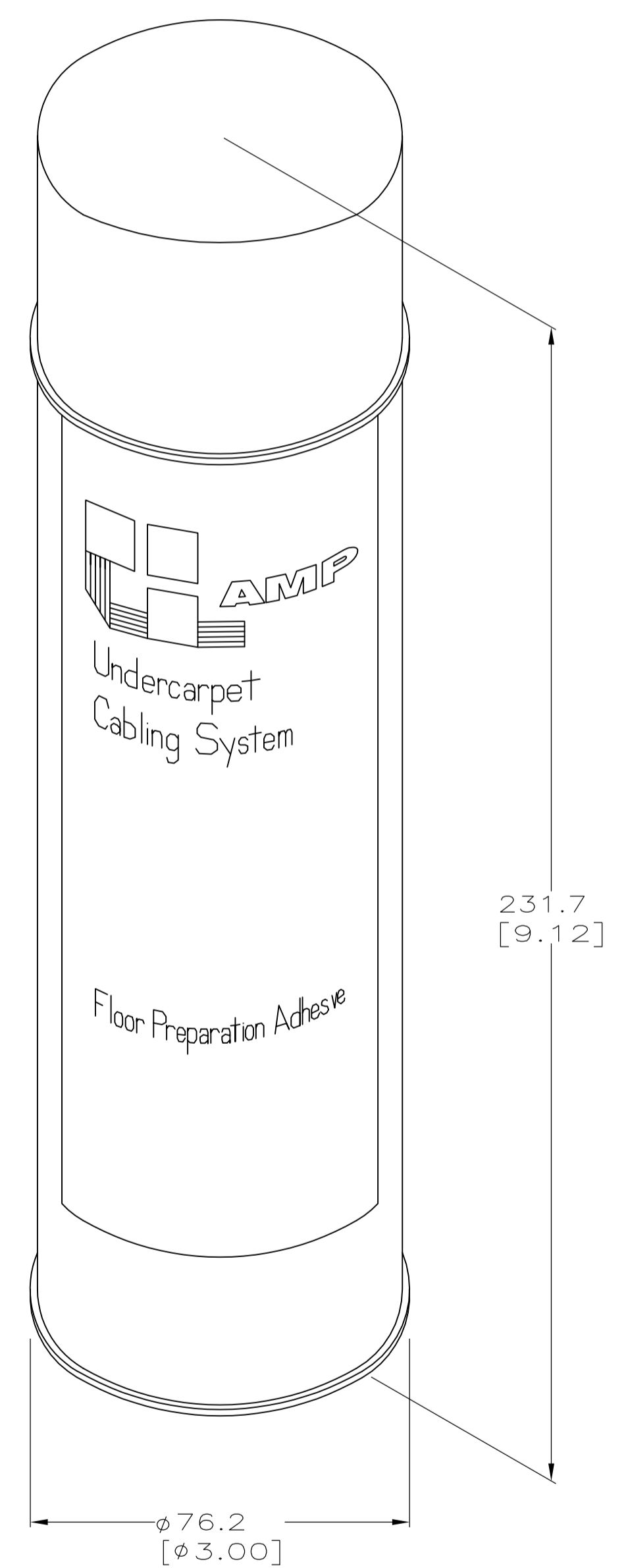
4-PORT COMMUNICATIONS SKIRT

SCREW, OVAL HEAD
6-32 UNC x .50 LONG
4 REQUIRED



MOUNTING PLATE
2 REQUIRED

555287-1
FLOOR FITTING,
COMMUNICATIONS, 4 PORT



6-553453-2
SPRAY
ADHESIVE
CAN

THIS DRAWING IS A CONTROLLED DOCUMENT.		DIN	L. HALL	30JUL01	 TE Connectivity
DIMENSIONS: mm [INCHES]		CHK	L. SMITH	27JUL01	
TOLERANCES UNLESS OTHERWISE SPECIFIED:		APVD	F. LINCOLN	30JUL01	NAME
0. PLC	± .00	PRODUCT SPEC		KIT, POWER/DATA, UC	
1. PLC	± .01	APPLICATION SPEC		-	
2. PLC	± .02	SIZE	CAGE CODE	DRAWING NO	RESTRICTED TO
3. PLC	± .03	WEIGHT	A1	00779	1479050
4. PLC	± .04	CUSTOMER DRAWING		SCALE	NONE
ANGLES	± .05	SHEET		4	OF 4
		REV		J	