

# B36RIC

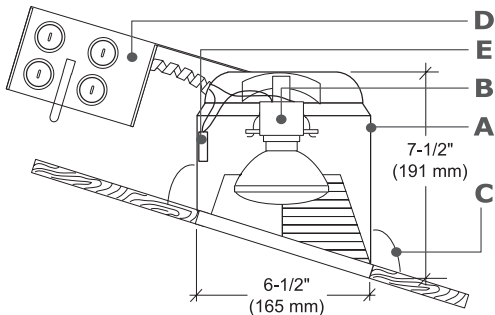
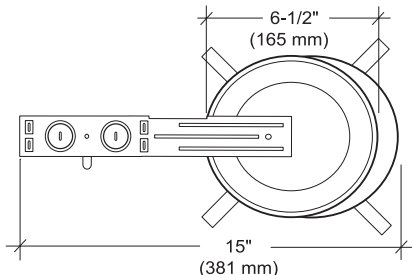
## 6" SLOPE IC REMODEL HOUSING - 2/12 TO 6/12 PITCH (9° TO 27°)



### DESCRIPTION

Thermally protected, IC rated specification grade remodel recessed housing. For remodeling installations where housing will be in direct contact with insulation. Designed for sloped ceiling applications where the ceiling pitch ranges from 2-1/2 to 6-1/2. Accommodates up to 75W PAR30, R30 lamps. Four remodel clips are easily retractable for fixture removal if necessary. Junction box is provided with eight 1/2" KOs and four Romex knockouts with strain relief.

**LAMP WATTAGE:** (1) Maximum 75W R/PAR30



### SPECIFICATION

**A. HOUSING** - Die-formed, all aluminum construction for maximum heat dissipation and rust protection.

**B. SOCKET** - Medium base screw shell porcelain socket preinstalled on a mounting bracket is specially designed to swivel and rotate so the lamp could be aligned properly. The lamp will aim straight down regardless of the ceiling pitch.

**C. INSTALLATION** - Four Preinstalled spring clips which secure the housing firmly into ceiling to accommodate different ceiling thicknesses from 1/2" to 1-3/8".

**D. JUNCTION BOX** - is provided with eight 1/2" KOs and four Romex knockouts with strain relief.

**E. THERMAL PROTECTION** - Standard thermal protection device guards against improper installation, overlamping and misuse of insulation material.



### ORDERING INFORMATION, PLEASE SPECIFY:

TYPE	OPTION	TRIM TYPE	BAFFLE	TRIM RING
B36RIC	<input type="checkbox"/> AIR SHUT <input type="checkbox"/> AT	<input type="checkbox"/> B391 Stepped Baffle	<input type="checkbox"/> W	<input type="checkbox"/> WH
		<input type="checkbox"/> B646 Baffled Eyeball	<input type="checkbox"/> P	
		<input type="checkbox"/> B673 Baffle Gimbal Ring	<input type="checkbox"/> SN	
		<input type="checkbox"/> B674 Baffle Gimbal Ring	<input type="checkbox"/> CP	

Specified: **B36RIC** - \_\_\_\_\_ - \_\_\_\_\_ - \_\_\_\_\_ - \_\_\_\_\_  
 TYPE            OPTION            TRIM TYPE            BAFFLE            TRIM RING

(Sample of Catalog Number: B36RIC-AT-B391-W-WH)

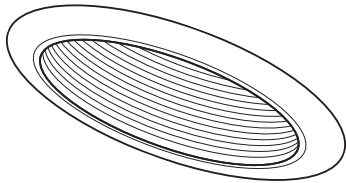
### SPECIFIED BY:

TYPE:

JOB NAME:



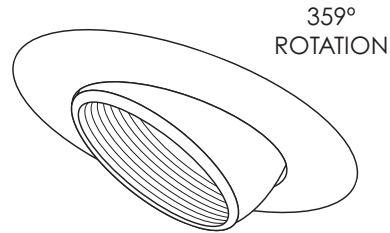
**B391**  
STEPPED BAFFLE



7-1/2" DIAMETER

<b>MAX. LAMP WATT:</b>	75W R/PAR30
<b>BAFFLE:</b>	W, P
<b>RING:</b>	WH

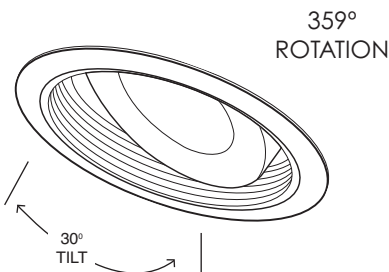
**B646**  
BAFFLED EYEBALL



8" DIAMETER

<b>MAX. LAMP WATT:</b>	75W R/PAR30
<b>BAFFLE:</b>	W, P
<b>RING:</b>	WH

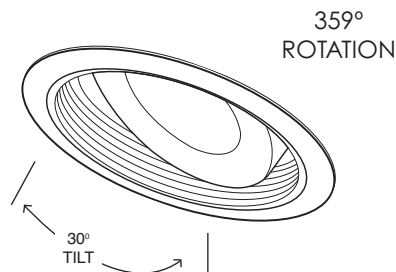
**B673**  
BAFFLED GIMBAL RING



7-1/2" DIAMETER

<b>MAX. LAMP WATT:</b>	75W R/PAR30
<b>BAFFLE:</b>	W, P, SN, CP
<b>RING:</b>	WH

**B674**  
BAFFLED GIMBAL RING



7-1/2" DIAMETER

<b>MAX. LAMP WATT:</b>	75W R/PAR30
<b>BAFFLE:</b>	W, P, SN, CP
<b>RING:</b>	WH

**DESCRIPTIONS:**

- Built w/ deep baffle technology for glare free illumination.
- Unitized optics guarantee proper alignment of lamp.
- All die cast construction is for functional and aesthetic use.
- Both trim and trim ring are U.V. coated to prevent rust and discoloration caused by heat and sun light.
- Internal gasket prevents 100% of all light leakage.

**RING/TRIM FINISHES:** WH=White BK=Black SN=Satin Nickel CP=Copper CH=Chrome PB=Polished Brass  
**BAFFLE FINISHES:** W=White P=Black SN=Satin Nickel CP=Copper  
**REFLECTOR FINISHES:** CL=Chrome RG=Gold W=White MB=Black CP=Copper SN=Satin Nickel

