

INSTRUCTION / INSTALLATION SHEET

lyriQ™ Four Source, Eight Zone Audio Distribution Module

301 Fulling Mill Road, Suite G
 Middletown, PA 17057
 Phone (800) 321-2343 / Fax (717) 702-2546
 www.onqlegrand.com

IS-0327 Rev. D

1. INTRODUCTION

The On-Q /Legrand lyriQ™ Four Source, Eight Zone Audio Distribution Module (P/N AU1002) provides the central connection to which all other parts of a lyriQ™ Multi-source Audio System connect (see **Figure 1**). It receives output from up to four audio sources (via lyriQ™ Triple and Single Source Input units) over Cat 5e cable, and distributes the audio to amplified volume controls in various zones throughout the home.

It is an integral part of the lyriQ™ Audio System, which utilizes Cat 5e technology to distribute high quality audio to remote locations via Cat 5e cable, creating a versatile whole-house audio system that will fill your rooms with high quality sound for years to come. This technology provides many advantages over conventional methods of audio distribution, such as simple Cat 5e wiring schemes, infrared control of system components, and improved sound quality due to an amplifier being located in every room.

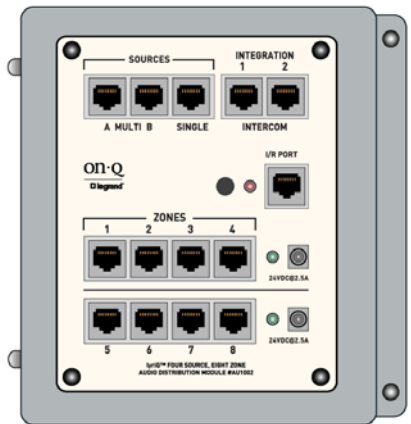


Figure 1

2. DESCRIPTION

All components of a lyriQ™ Multi-source Audio System are wired centrally from the lyriQ™ Four Source, Eight Zone Audio Distribution Module which comes on the plate shown in Figure 1 (P/N 364819-01) for mounting within an On-Q style structured wiring enclosure (see **Figures 1 & 2**).

- The lyriQ™ Triple-source Input (P/N F7428) and Single-source Inputs (P/N F7398 or AU1004) and lyriQ™ Keypad Volume Controls (P/N AU7394) connect to the module utilizing RJ-45 connections (see **Figure 2**).
- The system can support expansion by “daisy chaining” lyriQ™ Single Source, Four Zone Distribution Modules, P/N AU7396, to any of the eight outputs (see **Figure 3**).
- The **IR** RJ45 jack is used to both receive and transmit IR signals and has its own LED for activity status.
- Audio Interrupt functionality is built directly into the Intercom 1 RJ45 jack. This jack connects to the On-Q Intercom System and mutes the lyriQ™ Audio System while someone is using the Intercom System. The second Integration Port is for future use, and not currently used.
- In addition to providing a central point of connection, the Module distributes the necessary voltage to power the system for use with standard lyriQ™ Keypad Volume Controls, one power supply per each four zone group (see **Figure 2**).

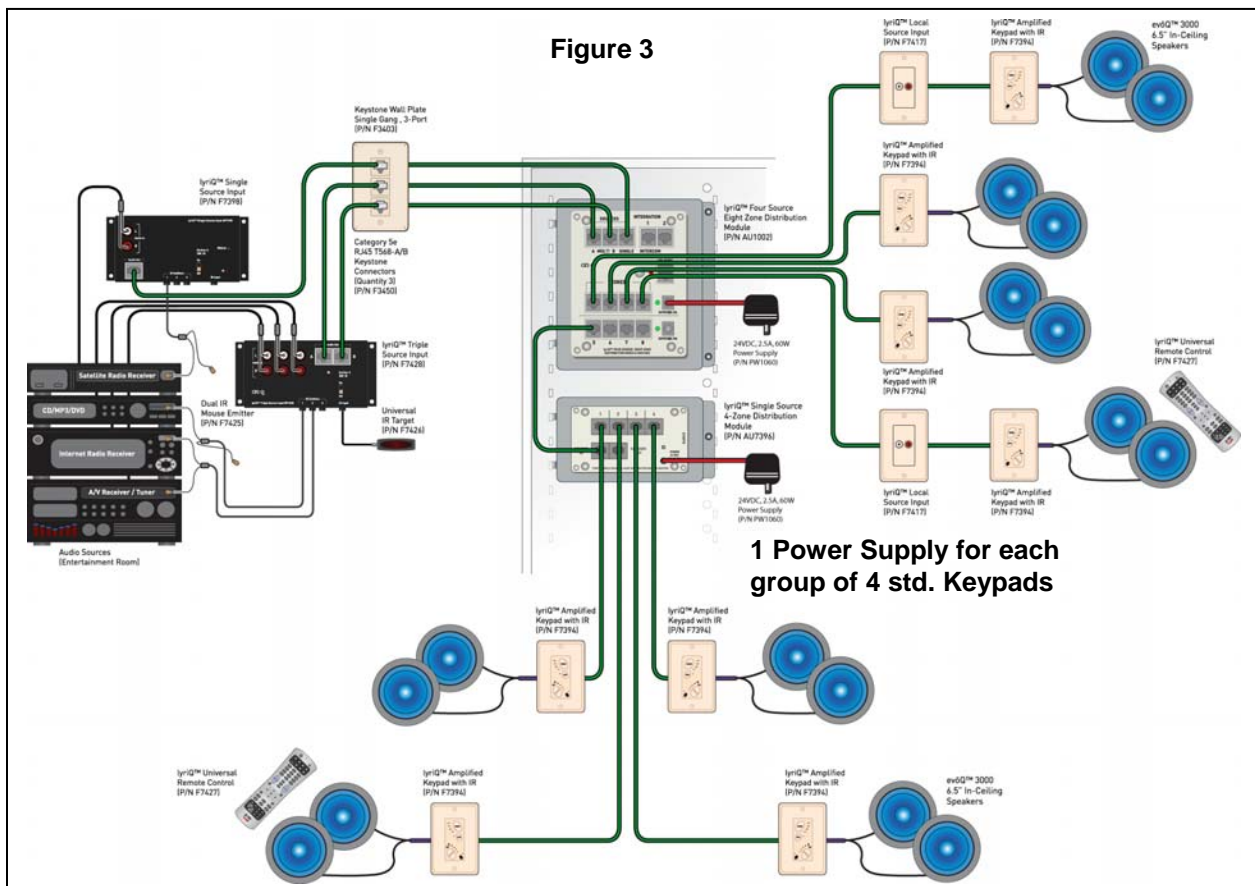
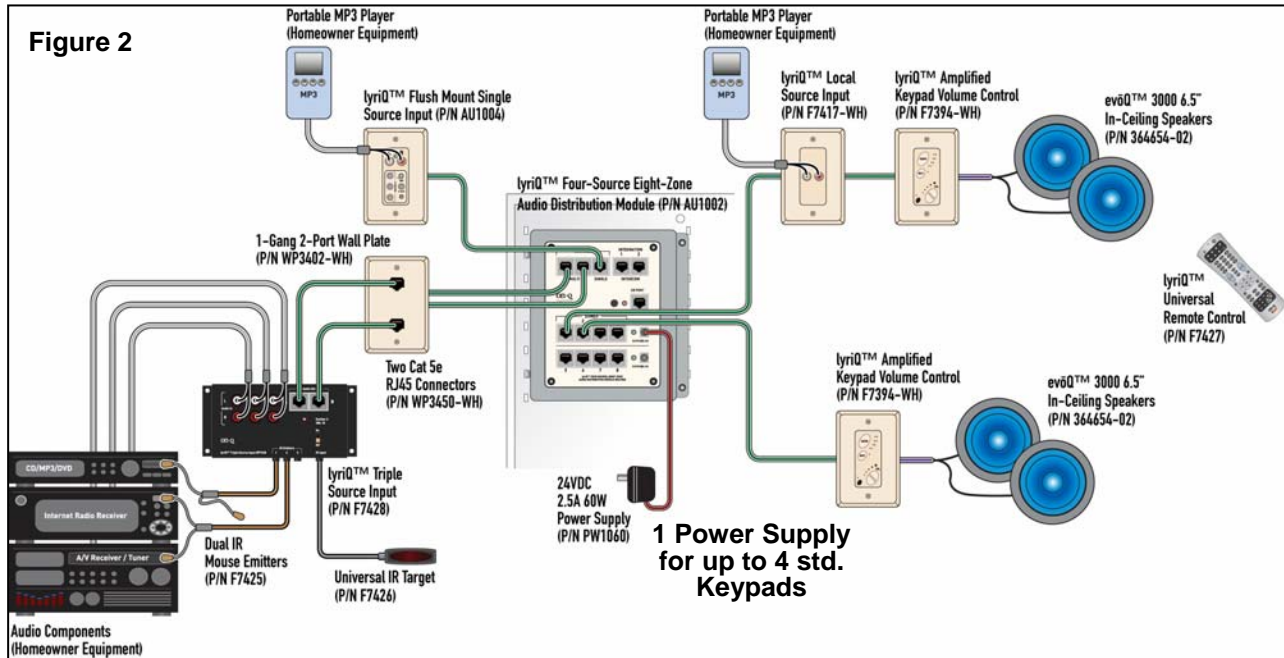
NOTE: The one or two 24 volt, 2.5 amp Power Supplies, P/N PW1060, are not included and must be purchased separately (one power supply is required for each group of 4 standard lyriQ™ Amplified Keypads).

NOTE: When High Performance lyriQ™ Keypad Volume Controls are used, they are powered over separately run speaker cable (see **Figure 4**) using separate power supplies. In this case, only one PW1060 is then required to provide power to the lyriQ™ Four Source, Eight Zone Audio Distribution Module.

INSTRUCTION / INSTALLATION SHEET lyriQ™ Four Source, Eight Zone Audio Distribution Module

301 Fulling Mill Road, Suite G
Middletown, PA 17057
Phone (800) 321-2343 / Fax (717) 702-2546
www.onqlegrand.com

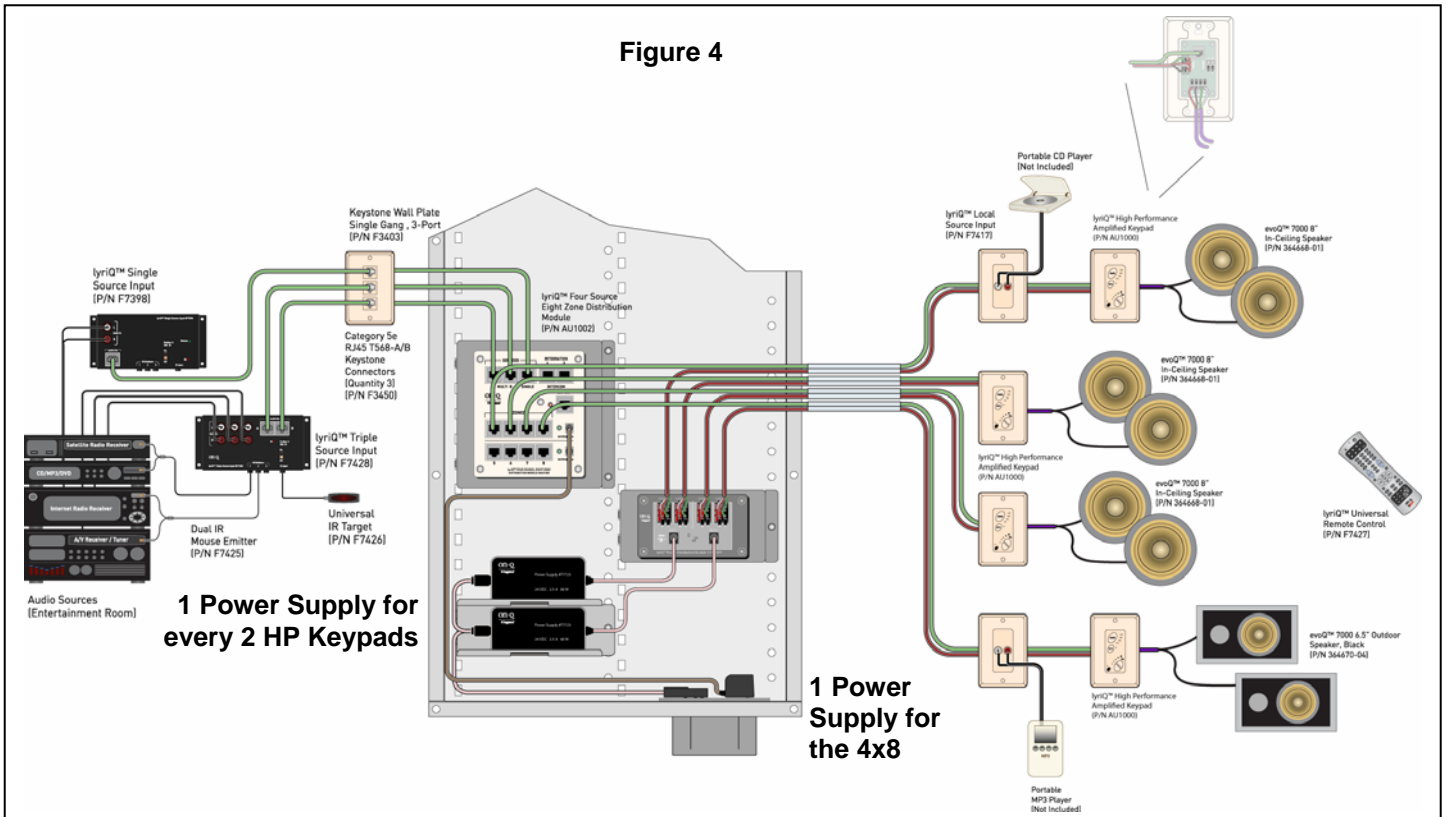
IS-0327 Rev. D



INSTRUCTION / INSTALLATION SHEET lyriQ™ Four Source, Eight Zone Audio Distribution Module

301 Fulling Mill Road, Suite G
Middletown, PA 17057
Phone (800) 321-2343 / Fax (717) 702-2546
www.onqlegrand.com

IS-0327 Rev. D



3. INSTALLATION

Installation of the On-Q/Legrand lyriQ™ Four Source, Eight Zone Audio Distribution Module and related components, is best accomplished at multiple times during new construction, at “Rough-in” before the drywall is installed, and at “Trim-out” after the drywall is installed and painted.

IMPORTANT: Read the documentation that is included with all associated lyriQ™ Audio products before installation of any single component! If you are unsure of any of the following installation procedures contact On-Q/Legrand Technical Support @ 1-800-321-2343 option 1 or contact an On-Q/Legrand installer.

NOTE: To provide ultimate flexibility, run three Cat 5e cables from the lyriQ™ Source Input area (such as the Entertainment Center area) to the lyriQ™ Four Source, Eight Zone Audio Distribution Module. Also, run a 16/4 speaker cable, along with the Cat 5e cable, from the lyriQ™ Four Source, Eight Zone Audio Distribution Module to each volume control location to support the power requirements now or in the future for High Performance lyriQ™ Keypad Volume Controls. Of course you will also need a 16/2 cable to each speaker from the volume control.

A. "ROUGH-IN" STEPS

1. Run three Cat 5e cables to the enclosure from the room location containing the lyriQ™ Source Inputs (typically the entertainment center location).
2. Run Cat 5e cables with 16/4 speaker cables to the enclosure from each room that will contain the lyriQ™ Volume Controls.

NOTE: The 16/4 speaker cable is for support of the power requirements of the High Performance lyriQ™ Keypad Volume Controls



INSTRUCTION / INSTALLATION SHEET

lyriQ™ Four Source, Eight Zone Audio Distribution Module

301 Fulling Mill Road, Suite G
Middletown, PA 17057
Phone (800) 321-2343 / Fax (717) 702-2546
www.onqlegrand.com

IS-0327 Rev. D

B. "TRIM-OUT" STEPS

1. At the location of the lyriQ™ Single Source Input, if it is a Flush-mount version (P/N AU1004), terminate one of the Cat 5e cables with an **RJ-45 Plug** using the T568A wiring standard, then plug it into the back of the Flush-mount Single Source Input and mount it in the low voltage bracket or electrical box. If it is a standalone version (P/N F7398), pull the Cat 5e cable from the enclosure through the low voltage bracket or electrical box, and terminate it on an RJ-45 insert, then snap it into a wall plate which is mounted to the low voltage bracket or electrical box.
2. At the location of the Triple Source Input, if it is a Flush-mount version, terminate two of the Cat 5e cables with **RJ-45 Plugs** using the T568A wiring standard, then plug them into the back of the Flush-mount Triple Source Input and mount it in the low voltage bracket or electrical box and cover with a wall plate. If it is a standalone version (P/N F7428), pull two Cat 5e cables from the enclosure through the low voltage bracket or electrical box, and terminate them on RJ-45 inserts, then snap them into a wall plate which is mounted to the low voltage bracket or electrical box. Then run Cat 5e jumpers from wall plate to the Triple Source Input.

NOTE: The lyriQ™ Four Source, Eight Zone Audio Distribution Module has three source input jacks labeled "Single" and "Multi A and B". It is very important that the Cat 5es from the Source Inputs are run from the correct source to the correct jack. Make sure that no Power Supplies are connected to the Audio Distribution Module before performing the next steps.

3. At the enclosure: Install the lyriQ™ Four Source, Eight Zone Audio Distribution Module in an On-Q style enclosure using the included plate's tabs and push pins. If installing into an existing Greyfox style bracket, simply discard the mounting plate and secure the module to the bracket with the push pins in each module corner.
4. Terminate the three Cat 5e cables run from the single and triple sources with RJ-45 plugs using the T568A wiring standard.
5. Plug the Cat 5e cable from the Single Source Input into the **SOURCES -> SINGLE** jack on the 4x8 module.
6. Plug the Cat 5e cable from the "A" output of the Triple Source Input into **SOURCES -> MULTI A** jack on the distribution module.
7. Plug the Cat 5e cable from the "B" output of the Triple Source Input into **SOURCES -> MULTI B** jack on the distribution module.
8. At the enclosure: Terminate each Cat 5e cables coming from each room with a volume control using the T568A wiring standard, then plug each of those cables into the **Zone Output** jacks on the distribution module.
9. If using High Performance Keypads, connect the 16/4 speaker wires from each room with a High Performance volume control to the High Performance Power Distribution Module (see **Figure 4**).
10. If applicable, expand the system by connecting one or more lyriQ™ Single Source, Four Zone Distribution Modules to the Zone Out jacks on the Four Source, Eight Zone Audio Distribution Module.
11. Plug the appropriate number of 24 volt power supply cables into the Power jacks on the 4x8 Module (depending on Zone and High Performance Keypad usage).
12. Verify system functionality.