

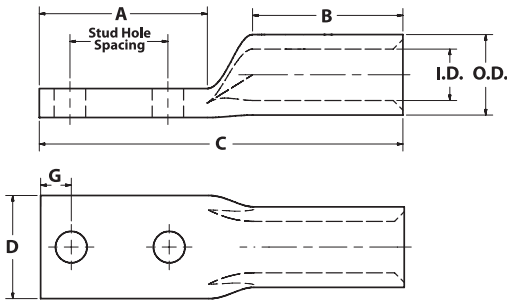
TYPE ALND

Features

- Manufactured from high strength aluminum alloy
- Electro-Tin plated
- Chamfered entry
- Color coded end cap
- Roll marked
- Two bolt hole pattern
- Pre-filled with DE-OX® oxide inhibiting compound
- Range taking
- Suitable for use in circuits rated 35KV or less, proper high voltage spacing and insulation techniques must be used
- Dual rated AL9CU

Benefits

- Offers maximum conductivity and excellent crimping characteristics
- Provides low contact resistance
- For easy conductor insertion
- Identifies the proper compression die
- For easy identification and proper location of crimps
- Provides maximum surface contact, secure attachment, and stabilization
- Prevents oxides from forming
- Permits inventories to be kept to a minimum
- Application versatility
- Rated to 90° C for use with aluminum or copper conductor



Catalog Number	Wire Size	Expanded Wire Range*	Bolt Size	Stud Hole Dia.	Stud Hole Spacing	Dimensions					Die Color Code	Die Index	O.D.	I.D.
						A	B	C	D	G				
ALND-250-38-1	250kcmil	250kcmil-1/0 AWG	3/8	0.406	1.000	2.000	1.535	4.324	1.264	0.414	Red	324	0.924	0.595
ALND-250-38-134	250kcmil	250kcmil-1/0 AWG	3/8	0.406	1.750	2.600	1.535	5.000	1.264	0.414	Red	324	0.924	0.595
ALND-250-12-1	250kcmil	250kcmil-1/0 AWG	1/2	0.562	1.000	2.190	1.535	4.500	1.264	0.546	Red	324	0.924	0.595
ALND-300-38-1	300kcmil	300kcmil-2/0 AWG	3/8	0.406	1.000	1.970	1.535	4.345	1.381	0.414	Blue	470	1.010	0.650
ALND-300-38-134	300kcmil	300kcmil-2/0 AWG	3/8	0.406	1.750	2.643	1.535	5.023	1.381	0.414	Blue	470	1.010	0.650
ALND-300-12-1	300kcmil	300kcmil-2/0 AWG	1/2	0.562	1.000	2.143	1.535	4.519	1.381	0.546	Blue	470	1.010	0.650
ALND-350-38-1	350kcmil	350kcmil-3/0 AWG	3/8	0.406	1.000	1.982	2.353	5.310	1.516	0.414	Brown	299	1.105	0.720
ALND-350-38-134	350kcmil	350kcmil-3/0 AWG	3/8	0.406	1.750	2.625	2.353	5.661	1.516	0.414	Brown	299	1.105	0.720
ALND-350-12-1	350kcmil	350kcmil-3/0 AWG	1/2	0.562	1.000	2.169	2.353	5.480	1.516	0.546	Brown	299	1.105	0.720
ALND-400-38-1	400kcmil	400kcmil-4/0 AWG	3/8	0.406	1.000	1.993	2.303	4.920	1.623	0.414	Green	472	1.188	0.762
ALND-400-38-134	400kcmil	400kcmil-4/0 AWG	3/8	0.406	1.750	2.709	2.303	5.635	1.623	0.468	Green	472	1.188	0.762
ALND-400-12-1	400kcmil	400kcmil-4/0 AWG	1/2	0.562	1.000	2.167	2.303	5.091	1.623	0.546	Green	472	1.188	0.762
ALND-500-38-1	500kcmil	500kcmil-4/0 AWG	3/8	0.406	1.000	2.005	2.565	5.410	1.802	0.414	Pink	300	1.315	0.854
ALND-500-38-134	500kcmil	500kcmil-4/0 AWG	3/8	0.406	1.750	2.627	2.565	6.075	1.802	0.414	Pink	300	1.315	0.854
ALND-500-12-1	500kcmil	500kcmil-4/0 AWG	1/2	0.562	1.000	2.171	2.565	5.590	1.802	0.546	Pink	300	1.315	0.854
ALND-600-38-1	600kcmil	600kcmil-250kcmil	3/8	0.406	1.000	2.128	2.685	5.975	1.965	0.593	Black	473	1.440	0.920
ALND-600-38-134	600kcmil	600kcmil-250kcmil	3/8	0.406	1.750	2.796	2.685	6.660	1.965	0.593	Black	473	1.440	0.920
ALND-600-12-1	600kcmil	600kcmil-250kcmil	1/2	0.562	1.000	2.262	2.685	6.130	1.965	0.671	Black	473	1.440	0.920
ALND-700/750-38-1	750kcmil	750kcmil-500kcmil	3/8	0.406	1.000	2.121	2.964	6.220	2.048	0.623	Yellow	936	1.460	1.030
ALND-700/750-38-134	750kcmil	750kcmil-500kcmil	3/8	0.406	1.750	2.812	2.964	6.900	2.048	0.623	Yellow	936	1.460	1.030
ALND-700/750-12-1	750kcmil	750kcmil-500kcmil	1/2	0.562	1.000	2.298	2.964	6.400	2.048	0.701	Yellow	936	1.460	1.030
ALND-1000-38-1	1000kcmil	1000kcmil-750kcmil	3/8	0.406	1.000	2.249	2.996	6.840	2.514	0.733	Brown	P302	1.840	1.180
ALND-1000-38-134	1000kcmil	1000kcmil-750kcmil	3/8	0.406	1.750	2.947	2.996	7.530	2.514	0.733	Brown	P302	1.840	1.180
ALND-1000-12-1	1000kcmil	1000kcmil-750kcmil	1/2	0.562	1.000	2.125	2.996	6.806	2.514	0.811	Brown	P302	1.840	1.180

For Tool and Die Information Refer to Tooling Information Page Series: ALNS, ALND

* When installed with specified dieless tools

UL File E6207