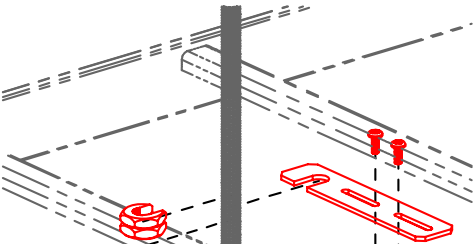
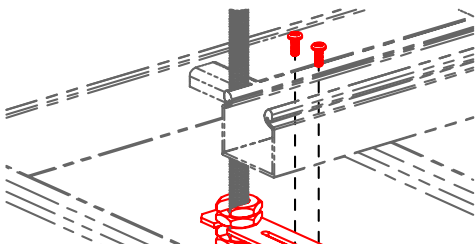
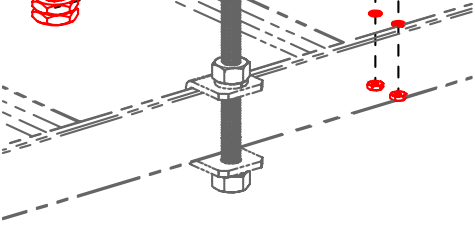
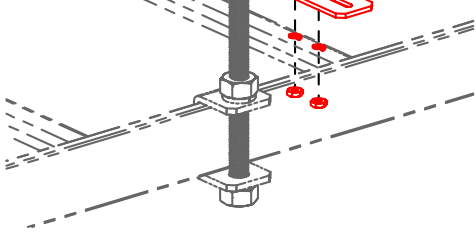
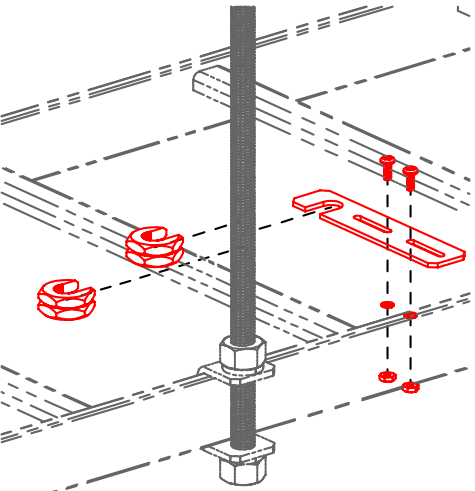
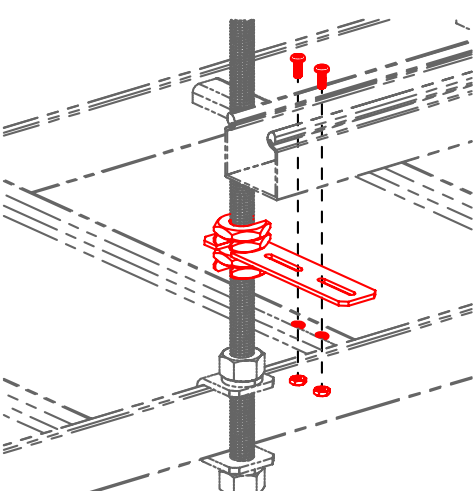
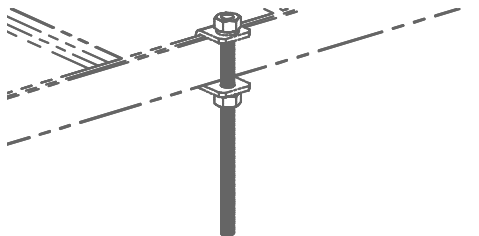
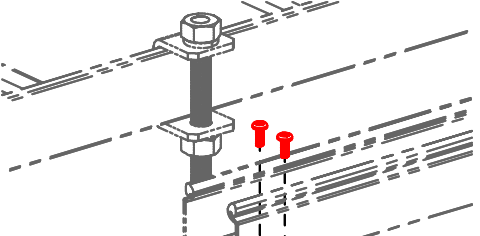
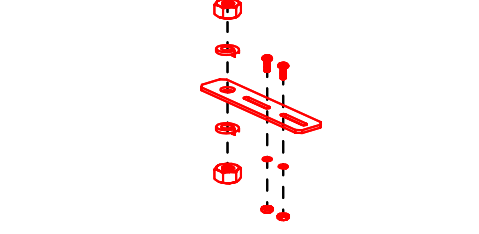
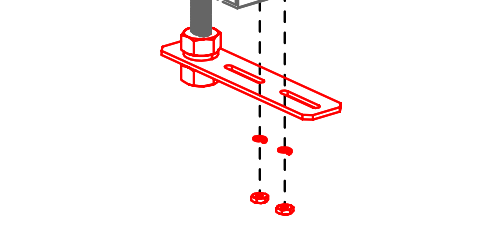
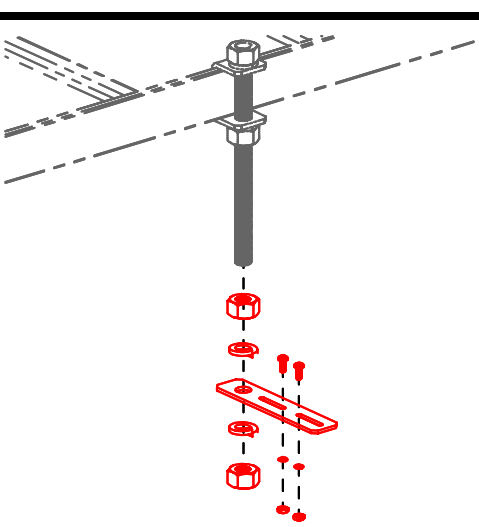
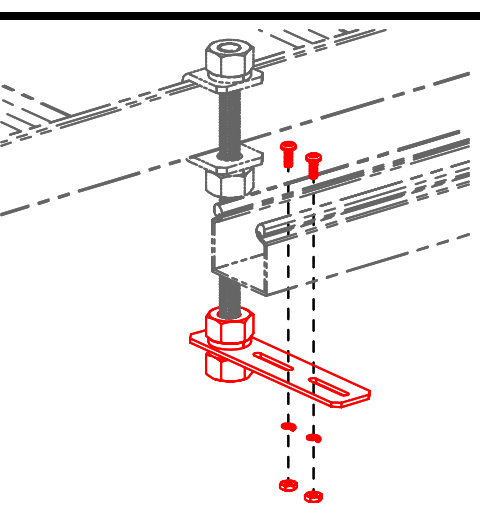


# PANDUIT CORP<sup>®</sup> FIBERRUNNER<sup>®</sup> & FIBER-DUCT<sup>™</sup> BRACKET GUIDE

## 2x2 & 4x4 FIBER-DUCT<sup>™</sup> BRACKETS

PANDUIT PART NO. / BRACKET NAME	BRACKET COMPONENTS	BRACKET APPLICATION	USE THIS BRACKET WHEN:
<p style="text-align: center;">FTRBE12 <i>Existing Threaded Rod Bracket</i></p>			<ul style="list-style-type: none"> <li>* You wish to install the <i>FIBER-DUCT</i><sup>™</sup> channel using 1/2" threaded rod which is part of an <u>existing</u> installation.</li> <li>* You wish to run the <i>FIBER-DUCT</i><sup>™</sup> channel off to the side of threaded rod.</li> </ul>
<p style="text-align: center;">FTRBE12M <i>Existing Threaded Rod Bracket</i></p>			<ul style="list-style-type: none"> <li>* You wish to install the <i>FIBER-DUCT</i><sup>™</sup> channel using 12mm threaded rod which is part of an <u>existing</u> installation.</li> <li>* You wish to run <i>FIBER-DUCT</i><sup>™</sup> channel off to the side of threaded rod.</li> </ul>
<p style="text-align: center;">FTRBE58 <i>Existing Threaded Rod Bracket</i></p>			<ul style="list-style-type: none"> <li>* You wish to install the <i>FIBER-DUCT</i><sup>™</sup> channel using 5/8" threaded rod which is part of an <u>existing</u> installation.</li> <li>* You wish to run <i>FIBER-DUCT</i><sup>™</sup> channel off to the side of threaded rod.</li> </ul>

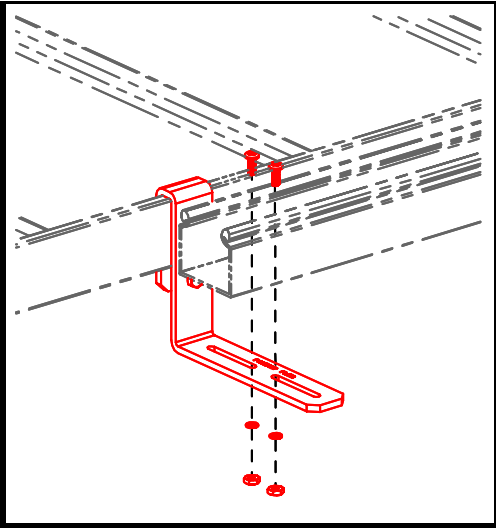
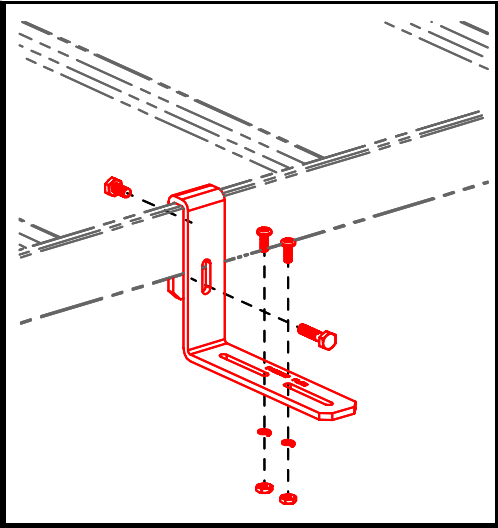
## 2x2 & 4x4 FIBER-DUCT™ BRACKETS

PANDUIT PART NO. / BRACKET NAME	BRACKET COMPONENTS	BRACKET APPLICATION	USE THIS BRACKET WHEN:
<p>FTRBN12 <i>New Threaded Rod Bracket</i></p>			<ul style="list-style-type: none"> <li>* You wish to install the <i>FIBER-DUCT™</i> channel using a <u>new</u> piece of 1/2" threaded rod.</li> <li>* You wish to run the <i>FIBER-DUCT™</i> channel off to the side of threaded rod.</li> </ul>
<p>FTRBN12M <i>New Threaded Rod Bracket</i></p>			<ul style="list-style-type: none"> <li>* You wish to install the <i>FIBER-DUCT™</i> channel using a <u>new</u> piece of 12mm threaded rod.</li> <li>* You wish to run the <i>FIBER-DUCT™</i> channel off to the side of threaded rod.</li> </ul>
<p>FTRBN58 <i>New Threaded Rod Bracket</i></p>			<ul style="list-style-type: none"> <li>* You wish to install the <i>FIBER-DUCT™</i> channel using a <u>new</u> piece of 5/8" threaded rod.</li> <li>* You wish to run the <i>FIBER-DUCT™</i> channel off to the side of threaded rod.</li> </ul>

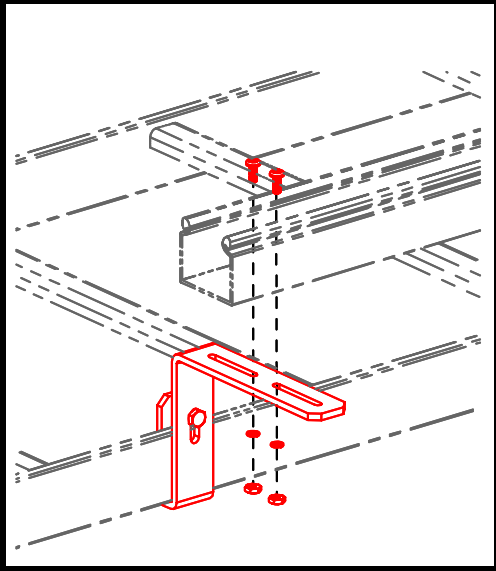
2x2 & 4x4 FIBER-DUCT™ BRACKETS

PANDUIT PART NO. / BRACKET NAME	BRACKET COMPONENTS	BRACKET APPLICATION	USE THIS BRACKET WHEN:
------------------------------------	--------------------	---------------------	------------------------

FLRB  
Ladder Rack  
Bracket

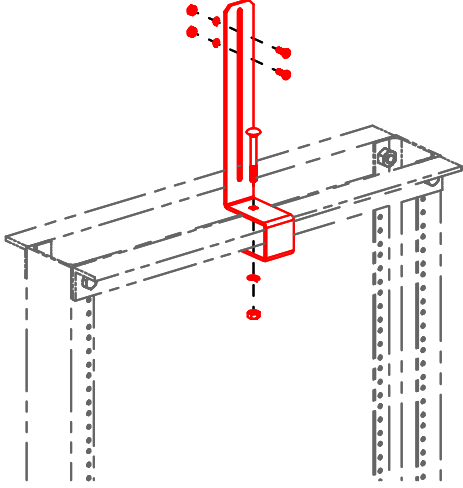
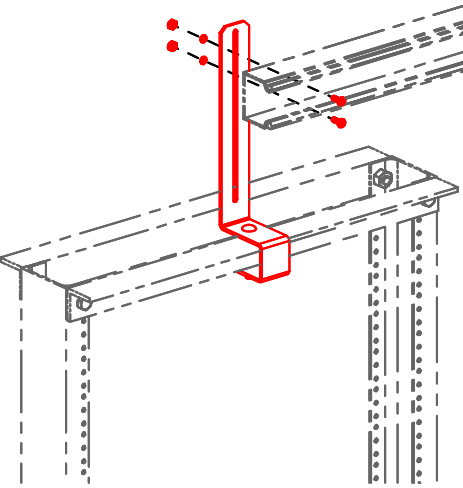
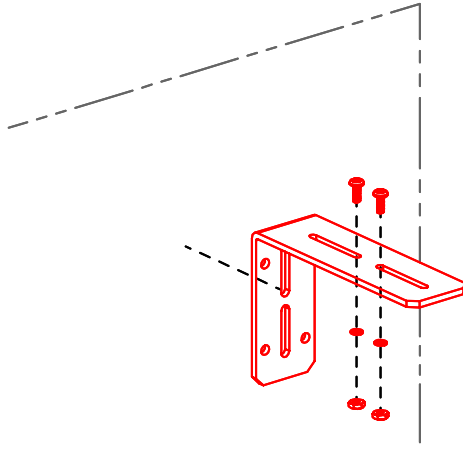
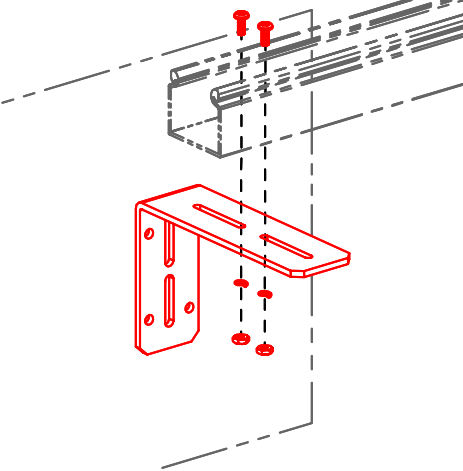


- \* You wish to support the FIBER-DUCT™ channel by attaching directly to a ladder rack rail (without threaded rod).
- \* You wish to run the FIBER-DUCT™ channel off to the side of 3/8" x 1 1/2" or 3/8" x 2" ladder rack.



- \* Note: Another method of installing this same bracket is shown here. The FIBER-DUCT™ channel can be run off to the side and above the ladder rack.

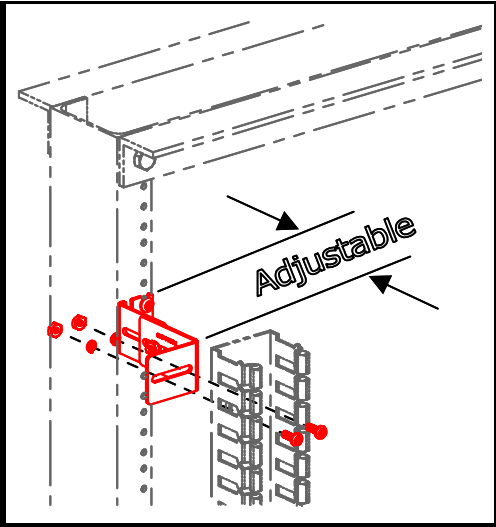
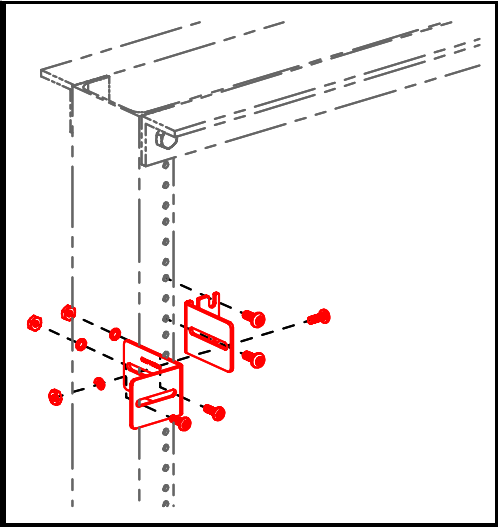
## 2x2 & 4x4 FIBER-DUCT™ BRACKETS

PANDUIT PART NO. / BRACKET NAME	BRACKET COMPONENTS	BRACKET APPLICATION	USE THIS BRACKET WHEN:
<p>FMRB <i>Top Rail of Rack Support Bracket</i></p>			<p>* You wish to mount the <i>FIBER-DUCT™</i> channel to the top of an EIA/TIA rack in a vertical direction.</p>
<p>FLB <i>"L" Wall Mount Bracket</i></p>			<p>* You wish to support the <i>FIBER-DUCT™</i> channel by attaching to a wall. * You wish to support the <i>FIBER-DUCT™</i> channel in the front or back of an equipment rack.</p>

2x2 / 4x4 FIBER-DUCT™ BRACKETS & 2x2 FIBERRUNNER® BRACKETS

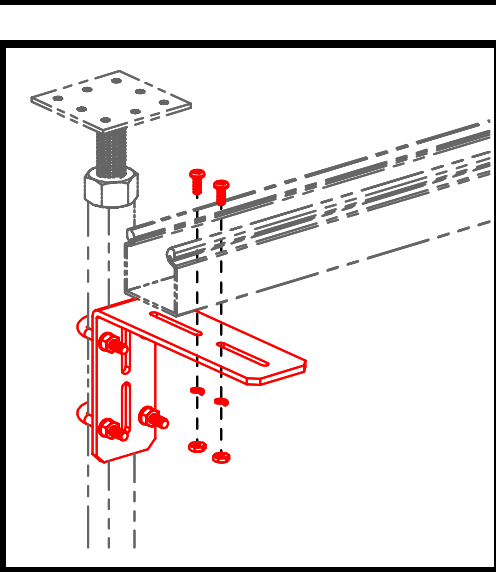
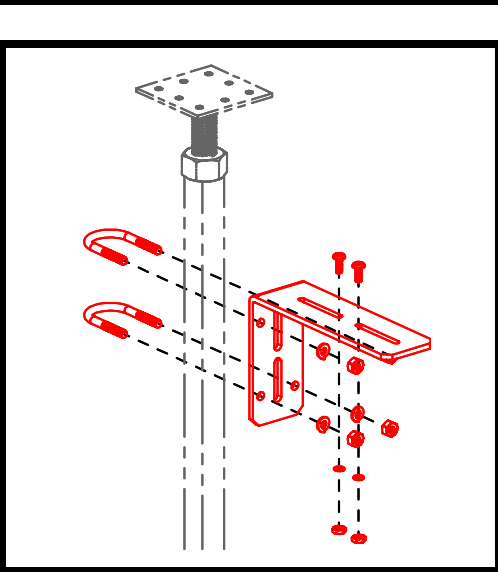
PANDUIT PART NO. / BRACKET NAME	BRACKET COMPONENTS	BRACKET APPLICATION	USE THIS BRACKET WHEN:
------------------------------------	--------------------	---------------------	------------------------

FZBA1.5X4  
Adjustable "Z"  
Bracket



- \* You wish to mount the FIBER-DUCT™ channel to the front of an equipment rack.
- \* You need to offset the FIBER-DUCT™ channel from a mounting surface.

FUSB  
Under-Floor Pedestal  
Bracket



- \* You wish to install the FIBER-DUCT™ channel underfloor.
- \* You wish to attach the FIBER-DUCT™ channel to underfloor pedestals which are up to 1" in diameter.