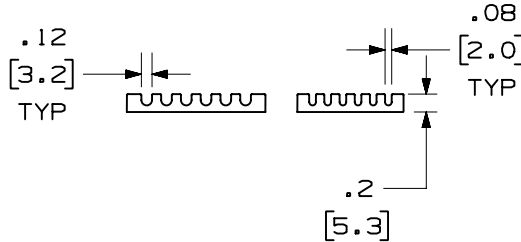
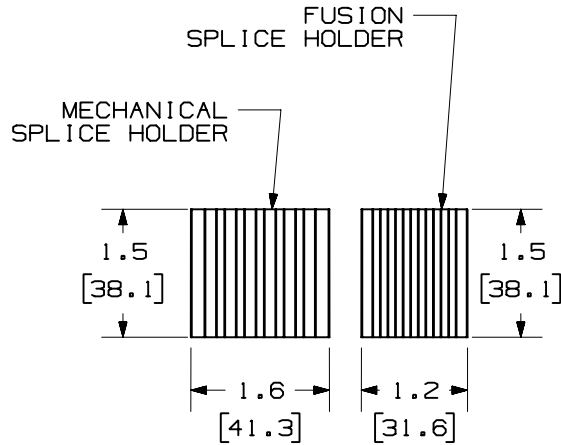
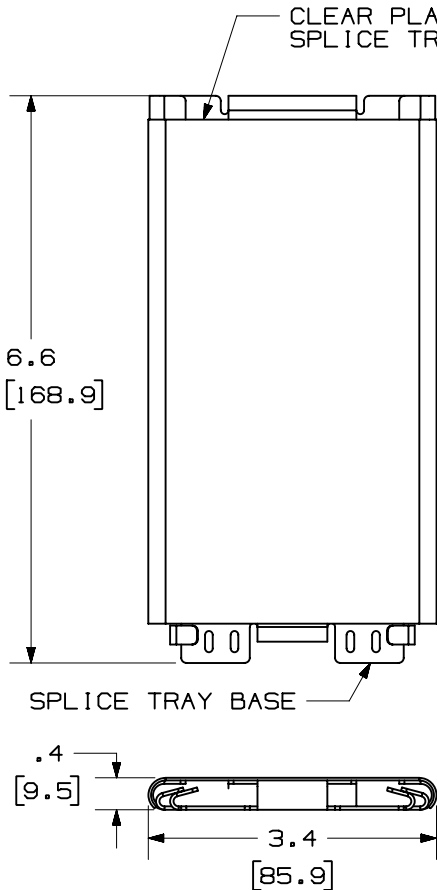


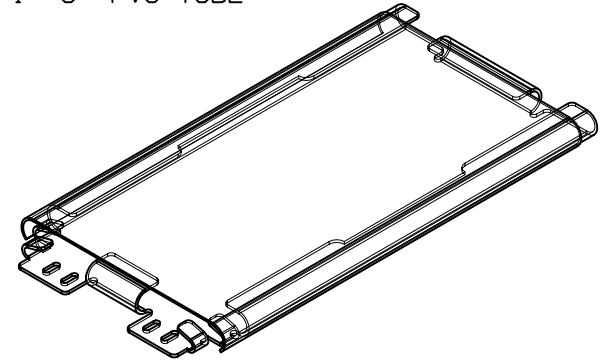
THIS COPY IS PROVIDED ON A RESTRICTED BASIS AND IS NOT TO BE USED IN ANY WAY DETRIMENTAL TO THE INTERESTS OF PANDUIT CORP.



PANDUIT P/N	WEIGHT
FSTK	.2 LB/EA 90 g/EACH

NOTES:

- SEE CATALOG FOR COMPLETE LIST OF PARTS APPLICABLE FOR USE WITH THIS PRODUCT.
- DIMENSIONS IN PARENTHESIS ARE METRIC.
- TRAY WILL HOLD UP TO 6 MECHANICAL OR FUSION SPLICES.
- INCLUDED WITH SPLICE TRAY:
  - 1- CLEAR PLASTIC COVER
  - 1- MECHANICAL SPLICE HOLDER
  - 1- FUSION HOLDER
  - 5- GREEN CABLE TIES
  - 5- BLUE CABLE TIES
  - 1- 6" PVC TUBE



MODEL FILENAME M00466AT\_SPL\_TRAY\_ASSY\_00.PRT

CAD FILENAME/LAYERS M00466AT\_DC\_00A.PRT

**PANDUIT** CORP. TINLEY PARK, ILLINOIS

SPLICE TRAY UNIT  
6 MECHANICAL OR FUSION SPLICES  
CUSTOMER DRAWING

UNLESS OTHERWISE SPECIFIED,  
DIMENSIONAL TOLERANCES ARE:  
(.X) ± .03 (.XXX) ± .005  
(.XX) ± .015 ANGLES ± 1°

UNLESS OTHERWISE SPECIFIED,  
ALL DIMENSIONS ARE GIVEN  
IN INCHES, THIRD ANGLE PROJECTION.

DRAWN BY  
JDWE

MAT'L:

SCALE NONE

R 5-2-02 JDWE RELEASED TO PRODUCTION 00466-67

DATE  
5-2-02

SEE NOTES

DRAWING NO.

00466-67

DWG  
A  
SIZE

REV	DATE	BY	CHK	DESCRIPTION	ECN	R	CUST	SUP	OTH
R	5-2-02	JDWE		RELEASED TO PRODUCTION	00466-67				