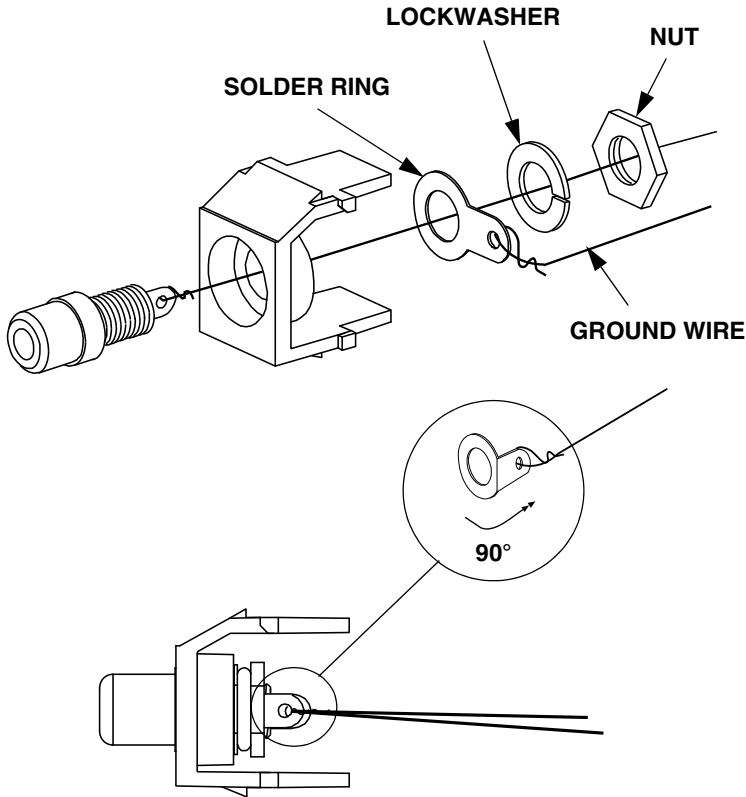


### RCA Modules

(NKRSMB\*\*Y, NKRSMR\*\*Y)



#### STEP ONE

- A. SLIDE SOLDER RING, LOCKWASHER, AND NUT ONTO SIGNAL WIRE.
- B. PULL SIGNAL WIRE THROUGH MODULE.
- C. LOOP WIRE THROUGH HOLE IN RCA AND TWIST.
- D. SOLDER WIRE TO BACK OF RCA.

#### STEP TWO

- A. ASSEMBLE SOLDER RING, LOCKWASHER, AND NUT TO RCA-MODULE SUBASSEMBLY.
- B. LOOP GROUND WIRE THROUGH SMALL HOLE IN SOLDER RING AND TWIST.
- C. SOLDER GROUND WIRE TO SOLDER RING.

#### STEP THREE

- A. BEND SOLDER RING TAB 90°.

### 3.5mm (1/8") Stereo Modules

(NK35MSS\*\*)

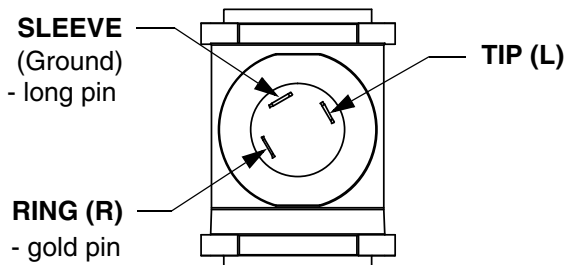
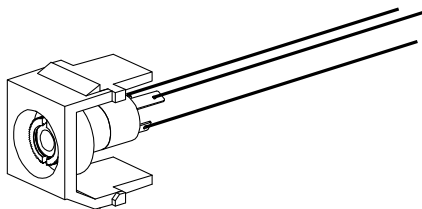


Fig. 1



- A. REFER TO FIG. 1 FOR WIRE PLACEMENT.
- B. SOLDER WIRES TO CORRECT TABS ON THE BACK OF CONNECTOR.