



Benner-Nawman, Inc.

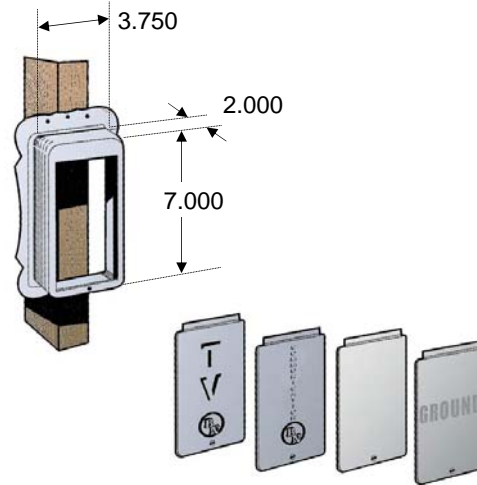
3450 Sabin Brown Road • Wickenburg, AZ 85390

(800) 992-3833 • (928) 684-2813 • www.bnproducts.com

Specification Sheet

Part #
900, 900TV, 900X, 900G

This Cabinet Measures:
3¾" Wide x 7" Tall x 2" Deep



Features & Info:

- "COMMUNICATION" or "TV" embossed lid, blank lid available
- "GROUND" or "SATELLITE" labels available
- Includes 3/8" knockout & 3/4" - 1" knockout
- Open back for easy wiring and access
- Nail or screw to studs on 16" centers
- Made of 24-gauge, galvanized steel
- Lid is secured with a slotted screw
- Ships out 50 units per carton
- Box weight: 8.96 oz.

Bottom View

