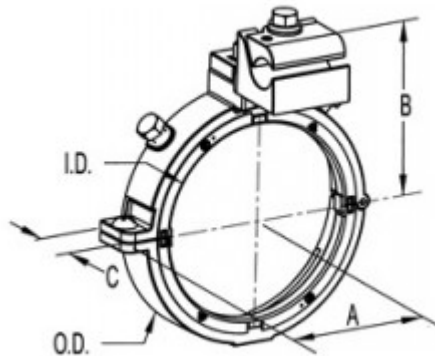


## Split Bushing, Insulated, Grounding, Steel, Size 6 Inch, 350-500 MCM Grounding Lug

Used in situations where wires have already been pulled through Rigid/IMC conduit or EMT Fittings, and an insulated bushing is required. 350 MCM - 500 MCM Aluminum Grounding lug. Rated 150 Degree C. Good for Utilities and Large Electrical Service Conduits, especially where a full size grounding wire is required.


[Download Photo](#)
[Download Drawing](#)

### Product details

<b>Catalog Number:</b>	SGBS-39250
<b>UPC Number:</b>	78174723926
<b>Primary Materials:</b>	Steel
<b>Finish:</b>	Zinc Plated, Grounding Lug, Tin Electro-Plate
<b>Trade Size:</b>	6"
<b>Standard Package Quantity:</b>	10

### Dimensions

<b>Trade Size:</b>	6"
<b>Dimensions A:</b>	4.18
<b>Dimensions B:</b>	5.61
<b>Dimensions C:</b>	1.13
<b>Dimensions D:</b>	7.15 O.D.
<b>Dimensions E:</b>	5.85 I.D.

### Certifications & Codes

**Federal Specification Number:** A-A-50553

**UL File Number:** E20412

**UNSPSC:** 39121312

**Nema Standard:** FB-1