

# SMOKE ALARM

10-Year Sealed

CAT. **SA340B**



## DUAL IONIZATION

Dual Ionization sensing chamber. Generally more effective at detecting small particles produced by flaming fires. Sources may include paper or kitchen grease.

## 10-YEAR LITHIUM POWER

10 years of continuous protection.

## TAMPERPROOF SEALED ALARM

Powercell cannot be removed after installation.

## LOW POWER WARNING

Alarm will chirp when it reaches the end of its service life and needs to be replaced.

## LOCKING FEATURE

Pins are provided to lock alarm to base. Great for apartment, dormitory or hotel applications where unauthorized removal of alarm is not desired.

Distributed by:

# First Alert<sup>®</sup>

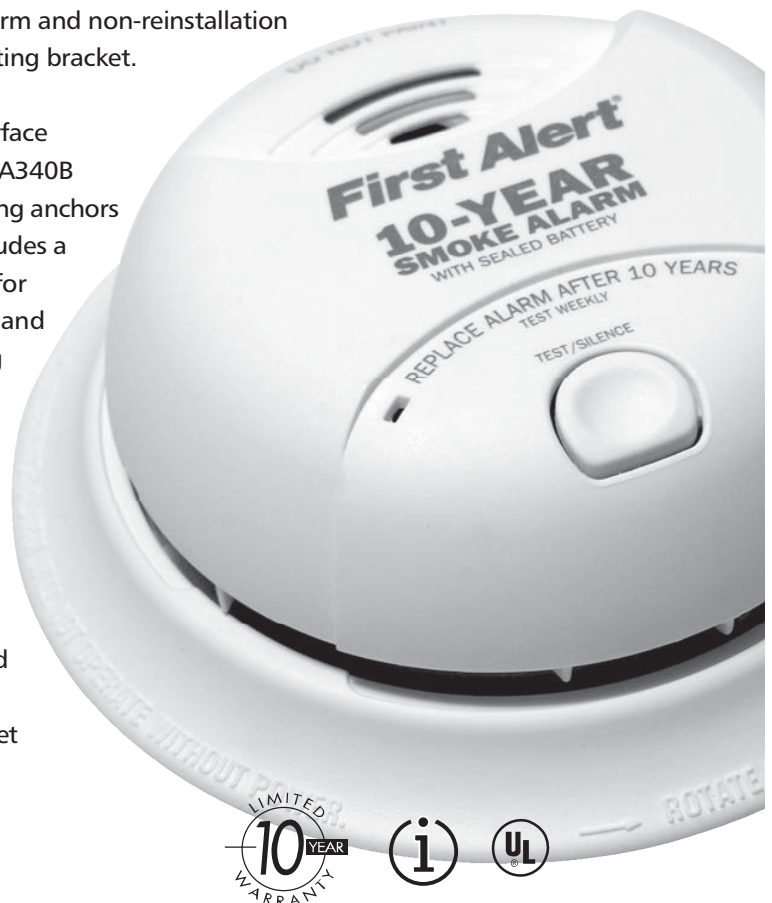
## 9V (Three 3V) Lithium Power Cells

### Description:

The First Alert Cat. No. SA340B is a battery operated, 9V (three 3V lithium power cells) single station smoke alarm specifically designed for residential and institutional applications including sleeping rooms of hospitals, hotels, motels, dormitories and other multi-family dwellings as defined in standard NFPA 101. Model SA340B complies with UL217, CSFM, NFPA 72, HUD, FHA and other agencies that model their codes after the above agencies. It meets building codes where tamperproof 10-year sealed lithium battery operated smoke alarms are required.

First Alert SA340B features a dual ionization smoke sensing chamber, an 85 dB horn, a sealed 10-year lithium power cell power supply that is permanently installed upon activation of unit, a single button for test/silence and a red LED that blinks to indicate unit is receiving power. The tamperproof design will not allow the powercells to be removed after installation. The low power warning indicator will cause the alarm to "chirp" when it reaches the end of its service life and needs to be replaced. Upon end of life, the unit meets UL requirements for disabling the alarm and non-reinstallation of unit to mounting bracket.

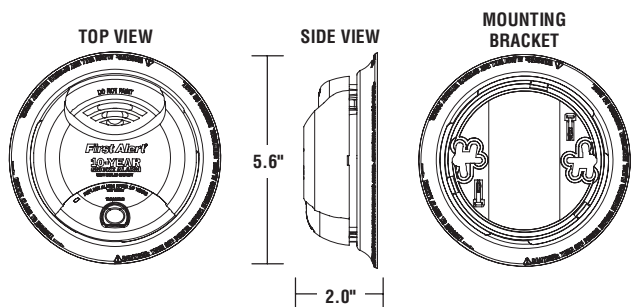
Designed for surface mounting, the SA340B includes mounting anchors and screws. Includes a gasketless base for easy installation and a new mounting bracket that keeps the alarm secure over a wide rotation range to allow for perfect alignment. Pins are provided to lock unit to mounting bracket and to prevent removal and theft of unit.



# CAT. SA340B



## 9V (Three 3V) Lithium Power Cells



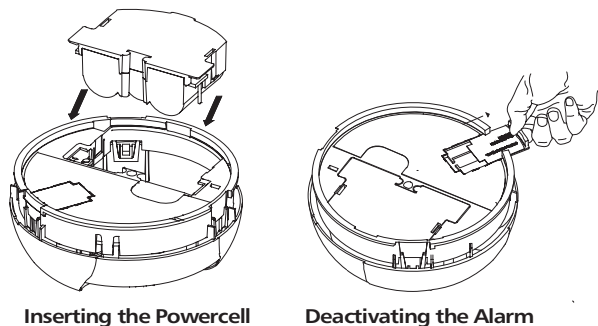
## ARCHITECTURAL AND ENGINEERING SPECIFICATION:

1. An ionization sensing chamber.
2. The unit shall be capable of self restoring.
3. Powered by a sealed 10-year lithium battery powercell with tamperproof design.
4. The tamperproof design shall not allow the powercell to be removed after installation. A low power warning indicator shall cause the alarm to "chirp" when it reaches the end of its service life and needs to be replaced. Upon end of life, the unit shall meet UL requirements for disabling the alarm and non-reinstallation of unit to mounting bracket.
5. A solid state piezo horn rated at 85dB at 10 ft.
6. A visual LED (red) power-on indicator to confirm unit is receiving power.
7. A single button test/silence feature. Test button should check all alarm functions by simulating a smoke condition, causing the unit to alarm. The silence feature to temporarily silence unwanted alarms.
8. The unit shall be capable of operating between 40° F (4° C) and 100° F (38° C) and relative humidity between 10% and 90%.
9. The unit shall include mounting hardware and shall be listed for wall or ceiling mounting.
10. The unit shall have an optional locking mechanism to deter removal of the unit.
11. The unit shall at a minimum meet the requirements of UL217, CSFM, NFPA 72, NFPA 101, ICBO, BOCA, SBCCI and CABO.

## INSTALLATION OF SMOKE ALARM

Installation of this smoke alarm must conform to NFPA 72. Always check your local building codes. Follow all instructions for placement as outlined in the user's manual in sections titled "Recommended Locations for Smoke Alarms" and "Locations to Avoid for Smoke Alarms".

### Activation and Deactivation Diagrams



Inserting the Powercell

Deactivating the Alarm

## TECHNICAL SPECS:

Alarm Dimensions	5.6" Dia x 2.0"H
Weight	6.9 oz.
Operating Voltage	9V (Three 3V) Lithium Power Cells
Temperature Range	40°F (4°C) to 100°F (38°C)
Humidity Range	10% to 90% relative humidity (RH)
Audio Alarm	85dB at 10 feet
Test Button	Electronically simulates the smoke condition, causing the unit to alarm.
Alarm Reset	Automatic when smoke clears
Sensor	Ionization
Indicator LEDs	DC Power : Intermittent Red LED Local Alarm: Rapidly flashing red LED
Listing	UL 217

## SHIPPING SPECS:

SA340B	
Individual Carton Dimensions	5.75" L x 2" W x 6.75" H
Weight	.55 lbs.
Cube	.05 ft <sup>3</sup>
UPC	0 29054 00066 8
Master Carton Dimensions	12.75" L x 6" W x 7.25" H
Master Pack	6
Weight	3.63 lbs.
Cube	.32 ft <sup>3</sup>
UPC	100 29054 00066 5
Pallet Information	
Cases per Layer	24
Number of Layers	6
Cases per Pallet	144
Cube	46.8 ft <sup>3</sup>
Weight	785.6 lbs.

**First Alert**

Manufactured By:  
BRK Brands, Inc.  
3901 Liberty Street Road  
Aurora, IL 60504-8122

[www.firstalert.com](http://www.firstalert.com)

First Alert® is a registered trademark of the First Alert Trust

©2006 BRK Brands, Inc., CM2794