

The Power of Illumination

www.bplusl.com

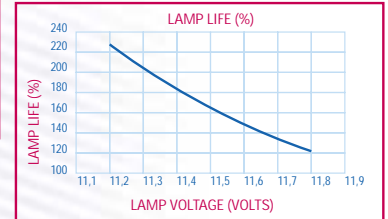
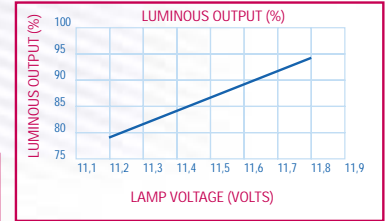
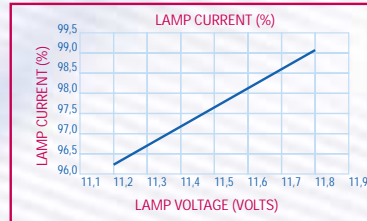
Electronic transformer



GENERAL SPECIFICATIONS :

- Input 120 Volts 50/60 Hz
- Power factor > .93
- THD < 20%
- Operating frequency > 10 kHz
- Class A insulation system, maximum transformer temperature for 90°C
- Minimum load of 10 Watts
- Generally the dimmer should have a minimum load of 40 W for proper functioning. Consult with UL recommendations for temperatures higher than 90°C
- For non short proof units, do not short output conductors
- Dimmable

GENERAL LAMP CHARACTERISTICS :



PLASTIC CASING

Electronic circuitry is encapsulated in a flame retardant plastic casing to withstand harsh and damp conditions for temperatures ranging from +5°F to +195°F (-15°C to 90°C)

Input : 120 VAC - for 12 Volts lamps

MODEL NO.	MAXIMUM LOAD	CLASS 2	OVERLOAD PROTECTION	SHORT CIRCUIT PROTECTION	RFI	CASING
CV90001	75 WATTS					D
CV90010	105 WATTS					B
CV90012	150 WATTS					B
CV90020	75 WATTS				YES	D
CV90021	200 WATTS					B
CV90027*,**	60 WATTS	YES	YES	YES	YES	C
CV90049	60 WATTS	YES	YES	YES	YES	A

SEE REQUIRED MOUNTING INSTRUCTIONS FOR CONVERTER MODEL CV90021 (ALSO RECOMMENDED FOR MODEL CV90012)

Input : 120 VAC - for 24 Volts lamps

MODEL NO.	MAXIMUM LOAD	CLASS 2	OVERLOAD PROTECTION	SHORT CIRCUIT PROTECTION	RFI	CASING
CV90038	75 WATTS					D
CV90052	150 WATTS					B

Input : 230 VAC - for 12 Volts lamps

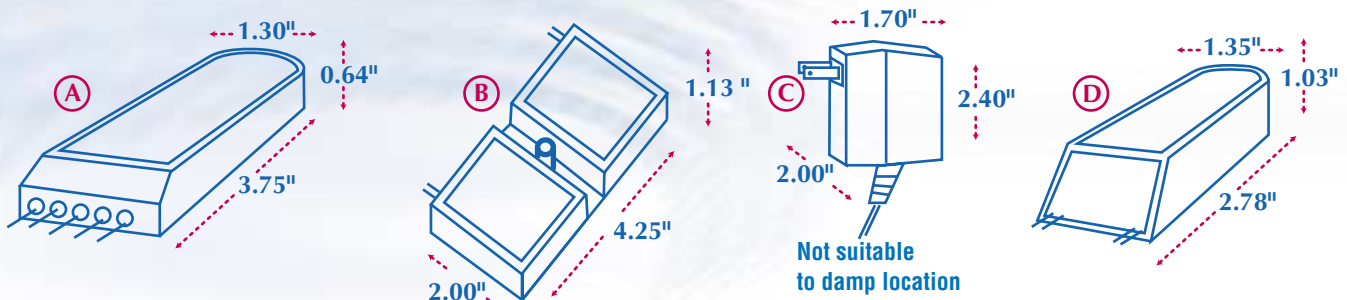
MODEL NO.	MAXIMUM LOAD	CLASS 2	OVERLOAD PROTECTION	SHORT CIRCUIT PROTECTION	RFI	CASING
CV90036*	75 WATTS					D
CV90113*	150 WATTS					B

Input : 277 VAC - for 12 Volts lamps

MODEL NO.	MAXIMUM LOAD	CLASS 2	OVERLOAD PROTECTION	SHORT CIRCUIT PROTECTION	RFI	CASING
CV90111*	150 WATTS					B
CV90112*	75 WATTS					D

* Not dimmable

** Not suitable for damp location



METAL CASING

Electronic circuitry housed in a galvanized perforated steel enclosure

60 WATTS

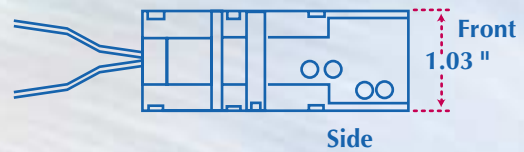
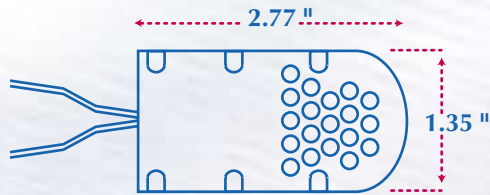
Input : 120 VAC - for 12 Volts lamps

MODEL NO.	CLASS 2	RFI	OVERLOAD PROTECTION	SHORT CIRCUIT PROTECTION
CV90095				
CV90096		YES		
CV90097	YES		YES	YES
CV90098	YES	YES	YES	YES

75 WATTS

Input : 120 VAC - for 12 Volts lamps

MODEL NO.	CLASS 2	RFI	OVERLOAD PROTECTION	SHORT CIRCUIT PROTECTION
CV90080				
CV90081		YES		
CV90082			YES	YES
CV90083		YES	YES	YES



150 WATTS

Input : 120 VAC - for 12 Volts lamps

MODEL NO.	CLASS 2	RFI	OVERLOAD PROTECTION	SHORT CIRCUIT PROTECTION	DC OUTPUT
CV90105					
CV90106		YES			
CV90107			YES	YES	
CV90108		YES	YES	YES	
CV90109		YES	YES	YES	YES

