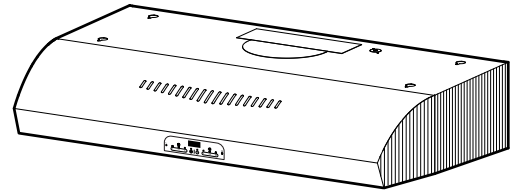


EVOLUTION™ 3 RANGE HOOD QP3 SERIES



Meeting customer demands for a contemporary styled range hood that is easy to clean, and brightly lights the cooktop.

FEATURES

- Clean, sleek appearance
- Durable, powder-coat paint or brushed stainless steel
- Non-stick bottom pan for easy cleaning
- Large, full filter design, with antimicrobial coating that inhibits the formation of odor-producing bacteria and protects filter from discoloration - dishwasher-safe for easy cleaning
- 4-level blower speed control: normal / mid / high / boost
- Four halogen lights provide focused lighting for unmatched cooktop visibility (lamps included)
- 4-level "theater-style" lighting adjustment
- 2-level ambient light sensor - automatically turns on night-time lights when low room light level is detected
- Centrifugal blower provides increased performance and quieter operation
- Broan advanced Heat Sentry - automatically turns blower on to high or adjusts blower to appropriate speed when excess cooking heat is detected
- 10-minute delay "off"
- Integrated LED clock and timer
- User selectable LED display ON/OFF and Sleep mode (extinguishes all automatic controls and ambient light sensor)
- Compatible with optional RF remote control accessory (BCR1)
- Compatible with optional make-up air damper accessory (MD6T & MD8T)
- Versatile design allows for 3¼" x 10", 7" round, or non-ducted discharges without re-positioning blower
- Adjustable duct connectors - accommodate off-center ductwork
- CleanSense™ charcoal filters indicate when replacement is necessary (for non-ducted installations - purchase separately)
- 30", 36" or 42" widths in White, Black, and Stainless Steel
- Bi-lingual carton markings and tri-lingual installation manual (English/French/Spanish)
- For indoor use only

TYPICAL SPECIFICATION

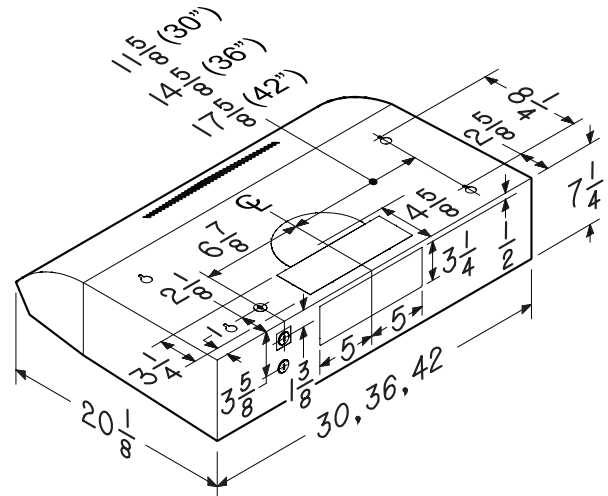
Range hood shall be Broan QP3 Evolution Series.

Unit will have clean, contoured appearance with no sharp edges. Finish to be baked-on powder-coat paint or brushed stainless steel. It must have a fully-enclosed bottom and dishwasher-safe, full filters.

Hood to be convertible between 3¼" x 10" and 7" round ducted (using washable aluminum filters) as well as non-ducted (using CleanSense™ filters - must be purchased separately). Duct connectors must be adjustable to accommodate off-center ductwork.

Range hood to have a centrifugal blower and four, 50-watt (max.) halogen flood lights (bulbs included). Blower and lights shall be operated using a specially-designed, 4-level electronic push-button control with interlock make-up air damper connection.

Air delivery shall be no less than 100 cfm (normal) or 450 cfm (boost) and sound level no greater than 0.3 Sones (normal) or 7.5 Sones (boost). Air and sound ratings to be certified by HVI. Unit shall be U.L. listed.



SPECIFICATIONS

VOLTS	AMPS	HZ	CFM			SONES			DUCT
			NORM.	HIGH	BOOST	NORM.	HIGH	BOOST	
120	3.3	60	100	360	450	< 0.3	4.5	7.0	Horizontal
120	3.3	60	100	320	390	< 0.3	5.5	7.5	Vertical
120	3.3	60	100	300	340	< 0.3	5.5	7.0	7-in. Round



HVI-2100 CERTIFIED RATINGS comply with new testing technologies and procedures prescribed by the Home Ventilating Institute, for off-the-shelf products, as they are available to consumers. Product performance is rated at 0.1 in. static pressure, based on tests conducted in a state-of-the-art test laboratory. Sones are a measure of humanly-perceived loudness, based on laboratory measurements.

Broan-NuTone LLC Hartford, Wisconsin www.broan.com 800-558-1711

REFERENCE	QTY.	REMARKS	Project
			Location
			Architect
			Engineer
			Contractor
			Submitted by Date