

# Horns and Sirens

## Electronic

### D2 Class



Edwards D2 Class devices are low current, high performance, high decibel audible signals which may be coded from an external source or used as a continuous alarm. They are designed to function as either a horn or siren by setting an internal, tamper proof switch.

The 5520D is primarily intended for use in applications requiring electrical supervision of signaling circuit field wiring. These signals may also be used for unsupervised signaling applications.

#### Features and Specifications

- 124dB audible signal at 1m (114dB @ 10ft.)
- Suitable for outdoor applications using 349 Back Box
- Switchable horn or siren or horn models
- Easy mounting plate speeds installation
- Diode polarized for supervised circuits (**5520D**)
- Horn frequency of 1.1 KHz
- Siren frequency rises and falls from 600 to 1300 Hz every 3 seconds
- Speaker swivels 180° horizontally and 90° vertically

Ordering Information					
Description	Cat. No.	Operating Voltage	Current	VA	dB <sup>4</sup> at 1m/10ft.
Horn and Siren <sup>1</sup>	<b>5520-AS</b>	12V AC	1.3 A	15.6	121/112 (Horn) / 122/112 (Siren)
		12V DC	0.7 A	8.4	121/112 (Horn) / 122/112 (Siren)
	<b>5520-AQ</b>	24V AC	0.85 A	20.4	124/114 (Horn) / 122/112 (Siren)
		24V DC	0.35 A	8.4	124/114 (Horn) / 122/112 (Siren)
	<b>5520-N5</b>	120V AC	0.35 A	42	124/114 (Horn) / 122/112 (Siren)
Horn and Siren, Diode Polarized <sup>2</sup>	<b>5520-D-N5</b>	120V AC	0.35	42.0	124/114 (Horn) / 122/112 (Siren)
		20-24V DC	0.35	8.4	124/114 (Horn) / 122/112 (Siren)
Horn Only	<b>5521-S1</b>	250V DC	0.065 A	16.3	124/114

<sup>1</sup>AC voltage frequency is 60 Hz.

<sup>2</sup>AC voltage frequency is 50/60 Hz.

<sup>3</sup>Uses separately mounted 598Y transformer (included).

<sup>4</sup>dB measured LCpeak (1s).

Accessories	
Description	Cat. No.
Back Box	<b>349</b>



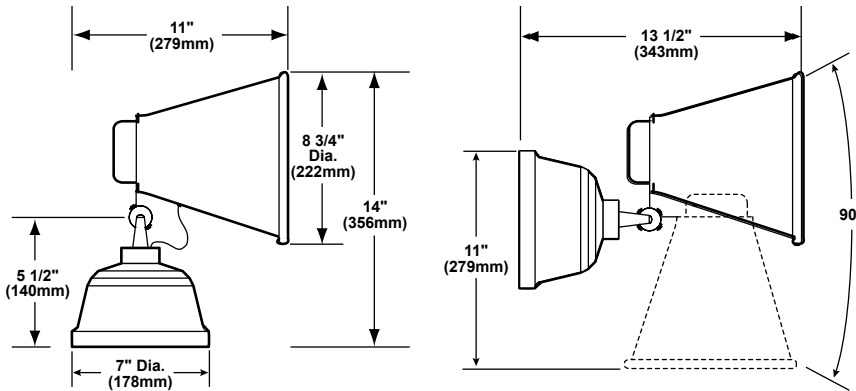
# Horns and Sirens

## Electronic

### D2 Class

#### Weights and Dimensions

Cat. No.	Approx. Net Weight (lb.)	Approx. Shipping Weight (lb.)											
5520-AS	7.90	10.72											
5520-AQ	7.90	10.72											
5520-N5	7.90	10.72											
5520-P1	7.90	10.72											
5520-R5	7.90 </tr <tr> <td>5520D-N5</td> <td>7.90</td> <td>10.72</td> </tr> <tr> <td>5520D-AW</td> <td>7.90</td> <td>10.72</td> </tr> <tr> <td>5521-S1</td> <td>7.80</td> <td>12.30</td> </tr> <tr> <td>349</td> <td>1.30</td> <td>1.56</td> </tr>	5520D-N5	7.90	10.72	5520D-AW	7.90	10.72	5521-S1	7.80	12.30	349	1.30	1.56
5520D-N5	7.90	10.72											
5520D-AW	7.90	10.72											
5521-S1	7.80	12.30											
349	1.30	1.56											



Mounts on any single gang, 3 1/4" (83mm),  
3 1/2" (89mm), 4" (102mm) octagon or 4" (102mm) square box.